

AW 630E6 SILEO AXIAL FAN

Version: 50 Hz

Description

- speed controllable by voltage reduction, plus option of 2-step operation by D/Y switching for 400V versions
- inlet protection guard
- safe and maintenance free operation
- can be installed in any mounting position
- electric connection via terminal box mounted on the motor
- single phase fans are supplied with capacitor

Axial fans of the AW sileo range do have a bionic shape of the fan blade, and are driven by external rotor motors. The AW range is equipped with a square wall plate, galvanized steel and powder coated in black (RAL9005). The protection guard at the inlet side is powder coated in black. The axial impeller is manufactured from pressure die cast aluminum and also painted in black (RAL9005). The impeller is balanced dynamically in two levels in accordance with DIN ISO 1940 part 1, quality G6.3. The motors are equipped with thermal contacts for motor protection, with leads to be connected to a motor protection unit.



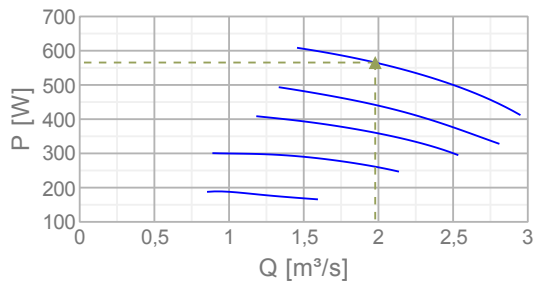
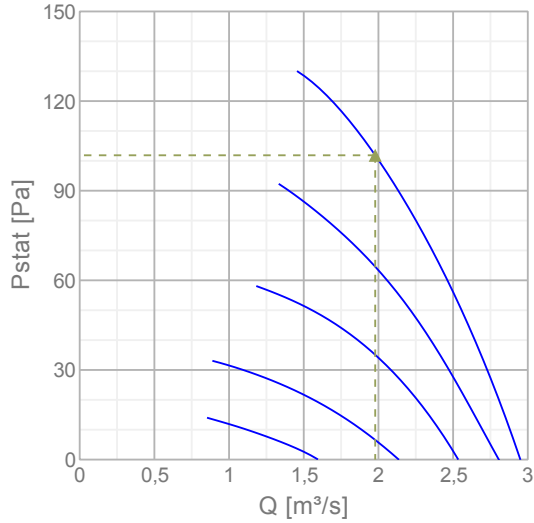
Technical parameters

Nominal data	
Voltage	230 V
Frequency	50 Hz
Phase	1 ~
Connection	D
Input power (P1)	609 W
Current	2,79 A
Max. airflow	2,95 m ³ /s
R.p.m.	916 r.p.m.
Capacitor	14 µF
Weight	26,5 kg
Temperature data	
Max. temperature of transported air	70 °C
Max. temperature of transported air when speed-controlled	70 °C
Sound data	
Sound pressure level at 1 m	67 dB(A)
Protection / Classification	
Insulation class	F
Enclosure class, motor	IP54

Data according to ErP directive		
Efficiency, static	36,8	η_{statA}
Air flow at max efficiency	1,93	m ³ /s
Efficiency grade	44,7	Nactual
Target efficiency grade ErP2013	36	Ntarget2013
Target efficiency grade ErP2015	40	Ntarget2015
Measurement category	A	
Specific ratio	1	

Diagrams

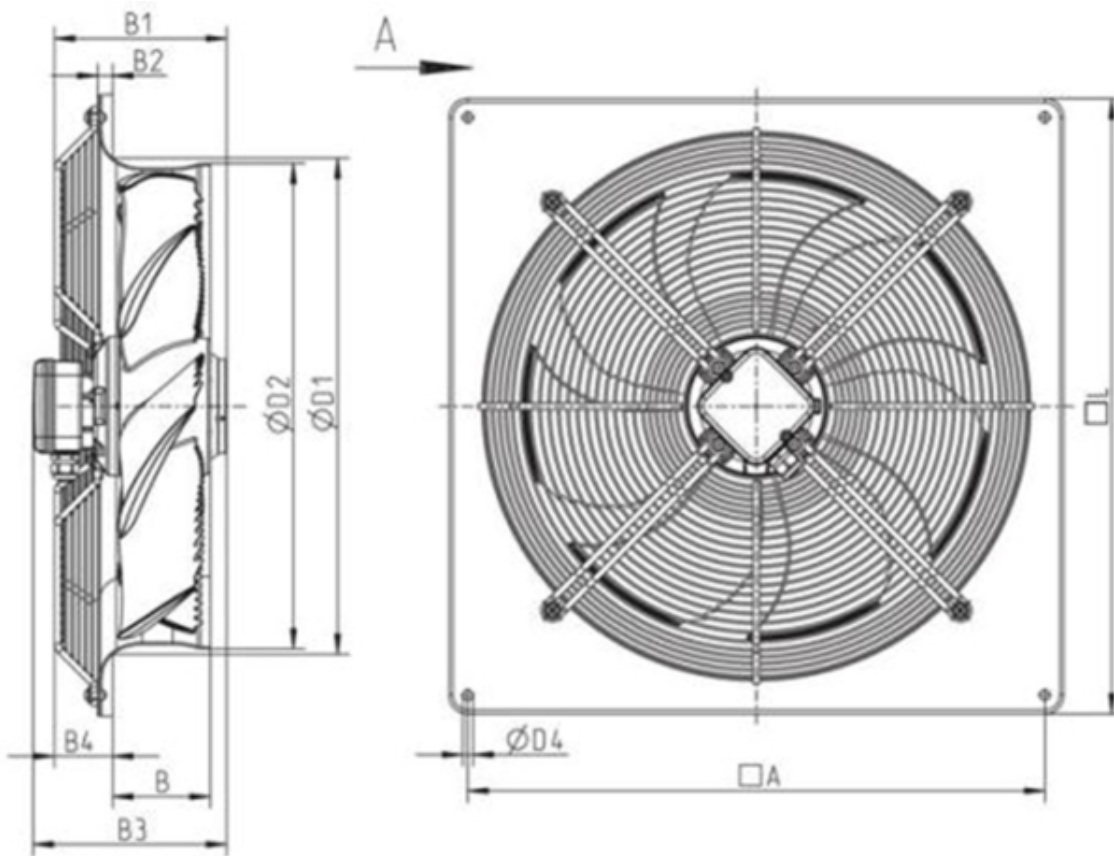
Diagrams



Max efficiency

Hydraulic data										
▲ Working air flow										1,98 m ³ /s
▲ Working static pressure										102 Pa
▲ Power										565 W
Speed										925 r.p.m.
Current										2,6 A
SFP										0,286 W/(l/s)
Voltage										230 V
Sound power level		63	125	250	500	1k	2k	4k	8k	Tot
Inlet	dB(A)	21	39	52	62	72	73	68	56	76
Outlet	dB(A)	22	39	53	62	71	72	66	55	75

Dimensions



$\square A$	B	B1	B2	B3	B4	$\varnothing D1$	$\varnothing D2$	$\varnothing D4$	$\square L$	
AW 630	750	130	225	20	246	50	664	643	11	805

Wiring

Linkslauf
Counter Clockwise rotation
Rotation à gauche

