



# CAB-ECOWATT

5113863100 - CAB-200 ECOWATT 230V50/60HZ N8 - ACOUSTIC CABINET FANS



Low profile acoustic cabinet fans, manufactured from galvanised sheet steel and internally lined with 50mm thickness of fireproof acoustic insulation (M0), with sound-absorbent insulation at the inlet. All models incorporate inlet and discharge circular duct connection flanges with integrated rubber air seal. Direct drive backward curved centrifugal fan. Brushless EC motor, IP44, class B, with thermal overload protection, suitable for single phase supply 230V +/- 15%-50/60Hz. Fan supply with external ON-OFF electrical isolation switch, and potentiometer to adjust the fan speed. Also possible to control the fan speed with external potentiometer type REB-ECOWATT or analogue input signal 0-10V. This cabinet fan has been designed for indoor use, with inlet air temperatures between -20°C up to +40°C and suitable for mounting in any orientation. Brand S&P model CAB-200 ECOWATT 230V50/60HZ N8.

## Theoretical Working Point

Airflow	-
Static Pressure	0,000 Pa
Temperature	20 °C
Altitude	0 m
Density	1,2 kg/m <sup>3</sup>
Frequency	50/60 Hz

## Construction

Discharge diameter	200 mm
Fan size	200
Weight	22,80 kg

## Motor Characteristics

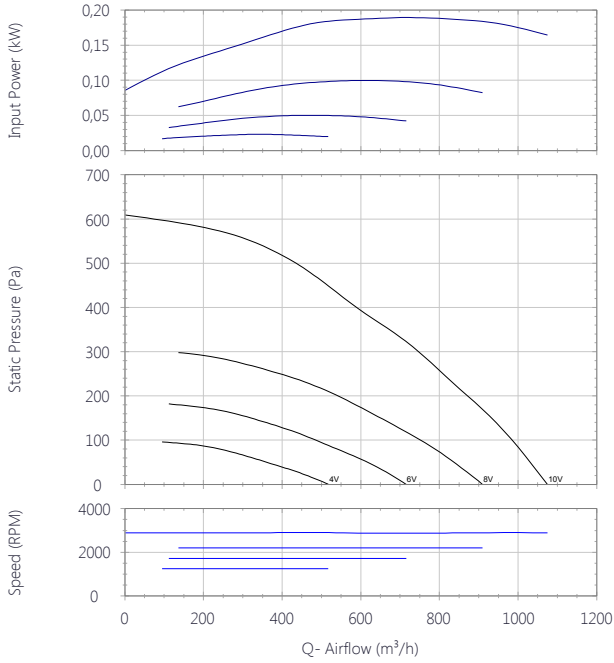
Voltage	1-230V-50Hz
Maximum absorbed current	1,2 A
IP Rating	IP44
Motor insulation class	B



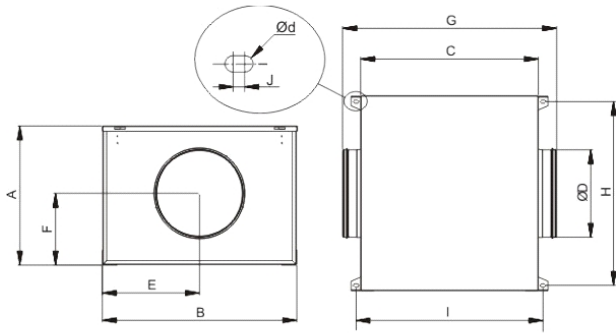
# CAB-ECOWATT

5113863100 - CAB-200 ECOWATT 230V50/60HZ N8 - ACOUSTIC CABINET FANS

## Performance Chart



## Drawing



A	B	C	D	E	F	G	H	I
375	510	468	200	255	193	570	479	494

J	d
6.5	4.5

## Sound Performance

	63	125	250	500	1k	2k	4k	8k	Overall
<b>Inlet (LwA)</b>	47	50	56	62	64	58	59	58	68
<b>Inlet LpA @ 1m</b>	36	39	45	51	53	47	48	47	57
<b>Outlet (LwA)</b>	51	55	54	55	58	57	53	47	64
<b>Outlet LpA @ 1m</b>	40	44	43	44	47	46	42	36	53
<b>Breakout (LwA)</b>	51	43	46	44	44	43	45	39	55
<b>Breakout LpA @ 1m</b>	40	32	35	33	33	32	34	28	44

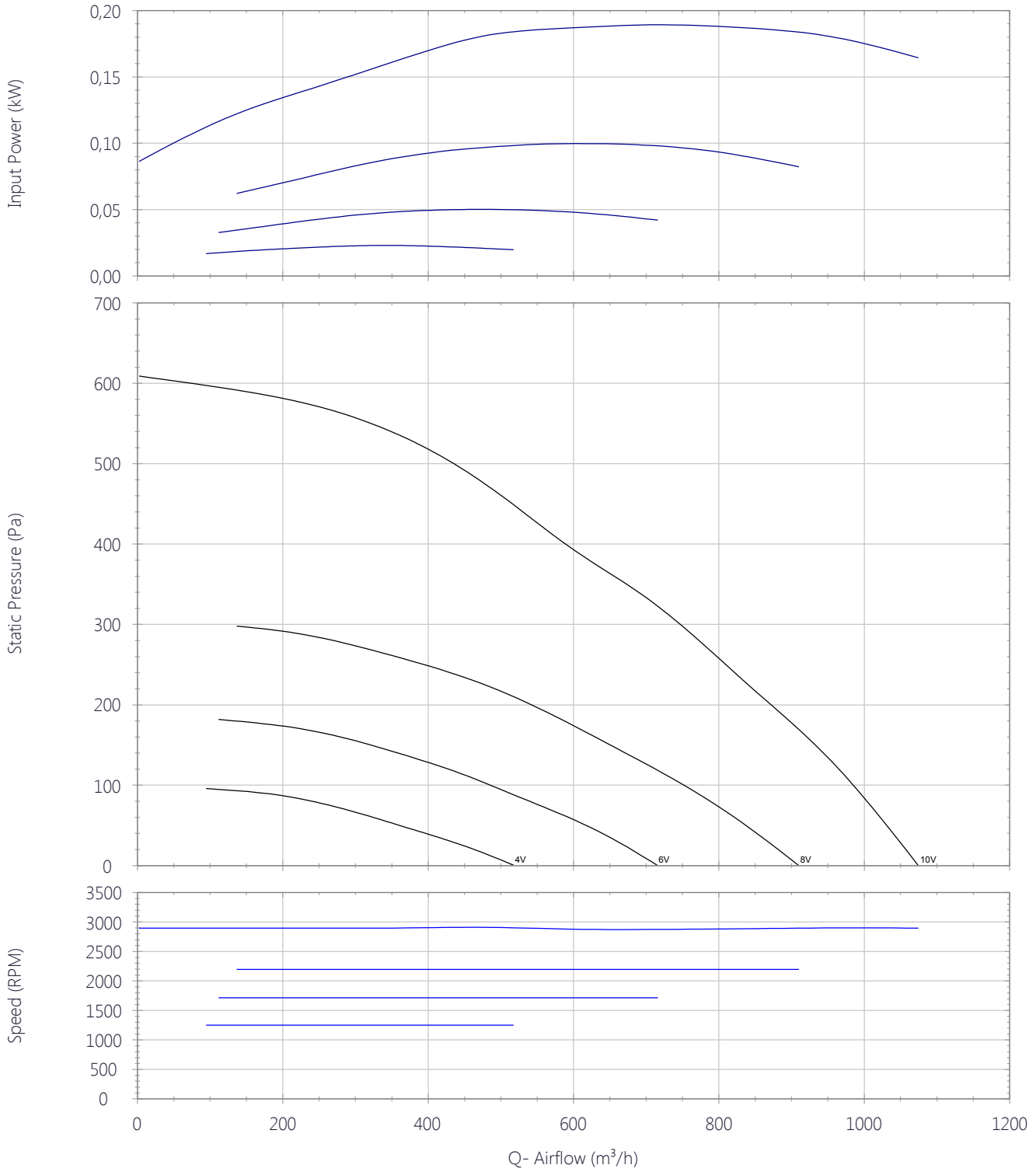




# CAB-ECOWATT

5113863100 - CAB-200 ECOWATT 230V50/60HZ N8 - ACOUSTIC CABINET FANS

## Performance Chart





# CAB-ECOWATT

5113863100 - CAB-200 ECOWATT 230V50/60HZ N8 - ACOUSTIC CABINET FANS

## Sound Performance

	63	125	250	500	1k	2k	4k	8k	Overall
<b>Inlet (LwA)</b>	47	50	56	62	64	58	59	58	68
<b>Inlet LpA @ 1m</b>	36	39	45	51	53	47	48	47	57
<b>Outlet (LwA)</b>	51	55	54	55	58	57	53	47	64
<b>Outlet LpA @ 1m</b>	40	44	43	44	47	46	42	36	53
<b>Breakout (LwA)</b>	51	43	46	44	44	43	45	39	55
<b>Breakout LpA @ 1m</b>	40	32	35	33	33	32	34	28	44

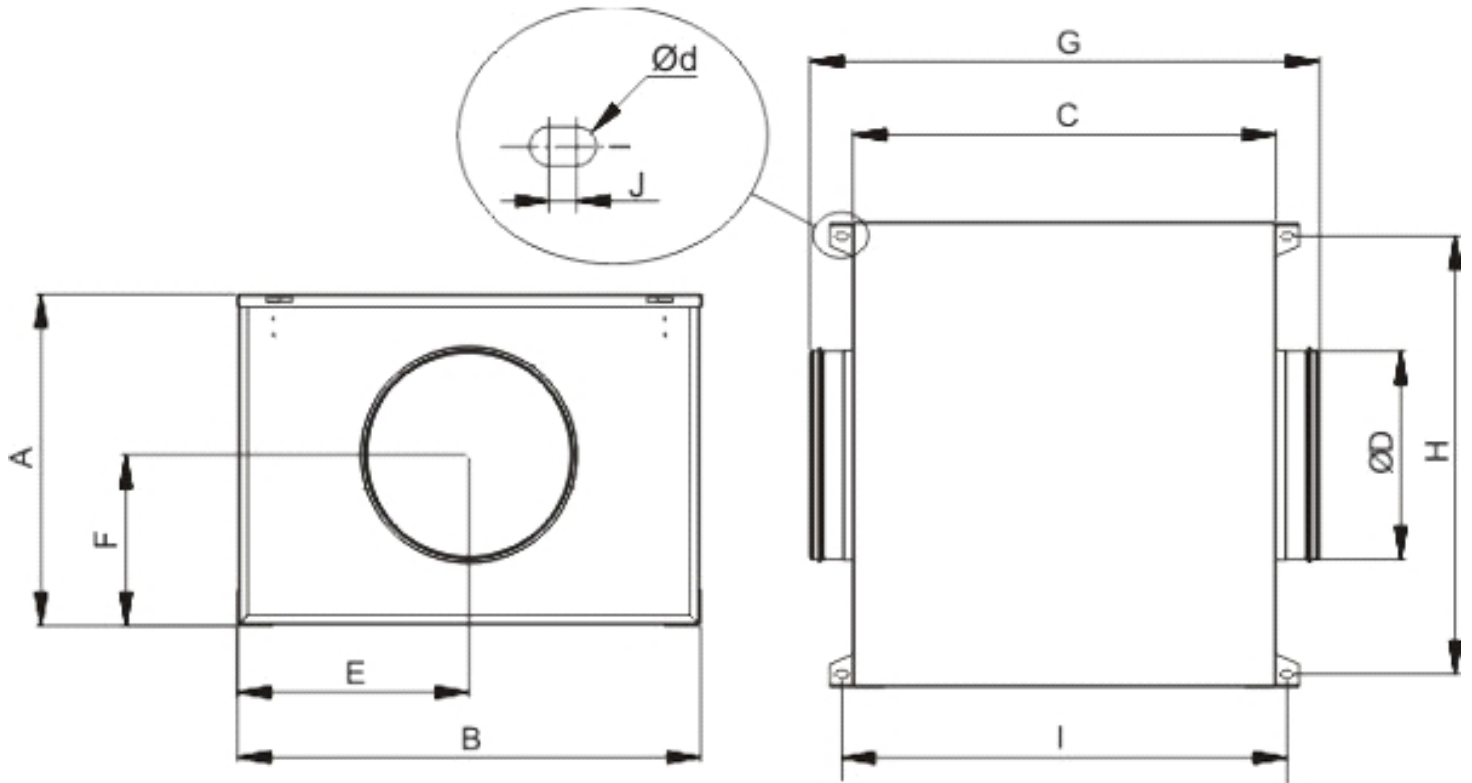




# CAB-ECOWATT

5113863100 - CAB-200 ECOWATT 230V50/60HZ N8 - ACOUSTIC CABINET FANS

## Drawing



A	B	C	D	E	F	G	H	I	J	d
375	510	468	200	255	193	570	479	494	6.5	4.5

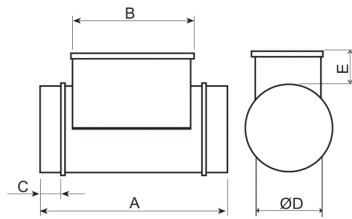
## Accessories

5211808900 - MBE-200/20T 2/400V



Electric Heater Battery

### Dimensions



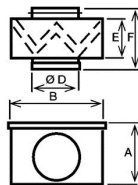
A	B	C	D	E
375	278	42	200	105

5416579000 - MFL-200 G4



MFL filtration boxes are of G4 grade filtration and are designed for direct connection with standard circular ducting. The MFL-G4 filtration boxes are supplied with a cover easily removable to replace the filter.

### Dimensions



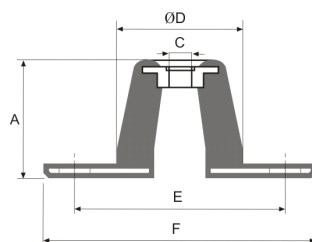
A	B	D	E	F
246	269	200	154	218

5130861700 - KSE-45

Rubber anti-vibration mounts that absorb vibration and attenuate the noise produced in the installation. (1 KSE = 4 supports in a bag)



### Dimensions



A	C	D	E	F
24	8	30	65	90



# CAB-ECOWATT

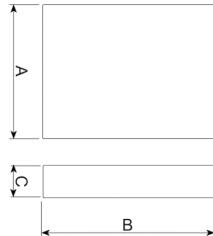
5113863100 - CAB-200 ECOWATT 230V50/60HZ N8 - ACOUSTIC CABINET FANS

5416731100 - SCHAT-AD



SCHAT-AD: Ambient CO2 sensor, temperature and relative humidity with display.

### Dimensions



A	B	C
85	26	100

5211811400 - SIL-200

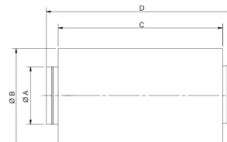
Silencer to be installed either at the inlet or outlet of the fan.



### Corrections

63	125	250	500	1k	2k	4k	8k
-0	-3	-7	-16	-22	-20	-13	-10

### Dimensions



A	B	C	D
200	300	600	700

5416730000 - REMP-200

Motorized shutter



### Dimensions

D	axle	L	MH
200	8	200	80



# CAB-ECOWATT

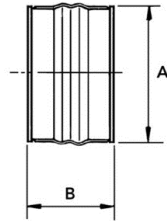
5113863100 - CAB-200 ECOWATT 230V50/60HZ N8 - ACOUSTIC CABINET FANS

5138920500 - ACOPEL F400-200/160 N

FLEXIBLE CONNECTOR



### Dimensions



A	B
203	160

5401637300 - CONTROL ECOWATT BASIC

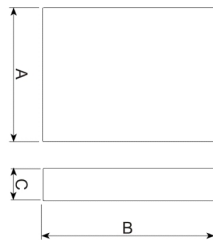


5416844700 - TDP-PI

TDP-D: Pressure sensor, with display. Enables you to control the pressure in the fan inlet.



### Dimensions



B	H	T
11	130	65





# CAB-ECOWATT

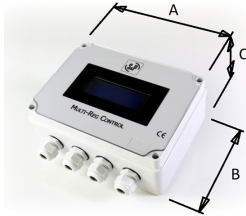
5113863100 - CAB-200 ECOWATT 230V50/60HZ N8 - ACOUSTIC CABINET FANS

## L0111000000957 - S&P MULTI-REG EC FAN CONTROLLER / INTERFACE



Fan controller to provide demand ventilation speed control for dedicated control of the S&P ECOWATT EC ranges and full BMS compatibility.

### Dimensions



A	B	C
196	145	82



# CAB-ECOWATT

5113863100 - CAB-200 ECOWATT 230V50/60HZ N8 - ACOUSTIC CABINET FANS

## ErP Data

Ecodesign	
Commission regulation (EU) N°1253/2014 of July 2014	
Information requirements (Annex V)	
Product description	CAB-200 ECOWATT 230V50/60HZ N8
Manufacturer's Info	S&P
Identifier	-
Typology	NRVU unidirectional
Drive	VSD
Type of HRC	None
Thermal efficiency (%)	NA
Qnom (m3/s)	0,17
Pelec (kW)	0,19
SFPint (W/m3/s)	NA
Face velocity (m/s)	1,19
$\Delta p_{s,ext}$ (Pa)	394,7
$\Delta p_{s,int}$ (Pa)	NA
$\Delta p_{s,add}$ (Pa)	NA
Static efficiency fans (%)	50,23
External leakage rate (%)	3
Internal leakage rate (%)	NA
Filter performance	NA
Filter warning	NA
LWA dB(A)	56
<a href="https://www.solerpalau.com/">https://www.solerpalau.com/</a>	