



CBPX2-SM

CBPX2-15/15-D-0.18kW/4-1050RPM-3-230/400V-50HZ-IE1

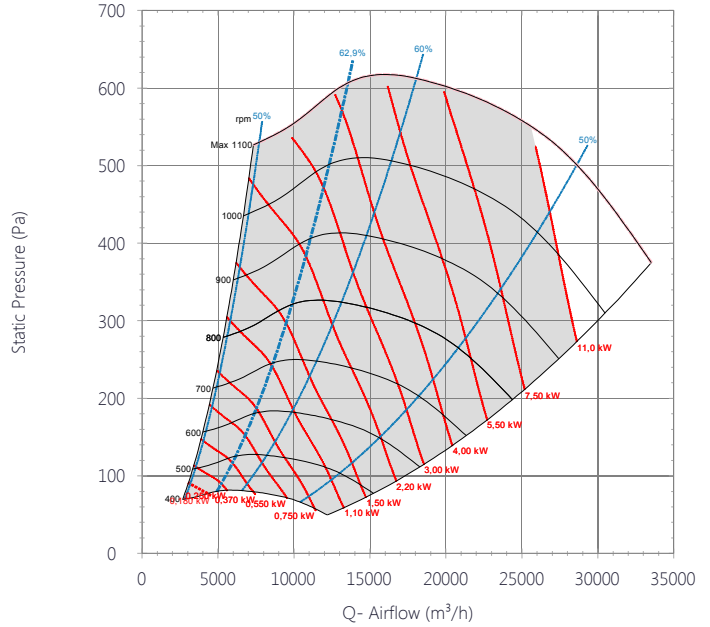
Double inlet duplex centrifugal fan , forward curved brand S&P model CBPX2-15/15-D-0.18kW/4-1050RPM-3-230/400V-50HZ-IE1 .



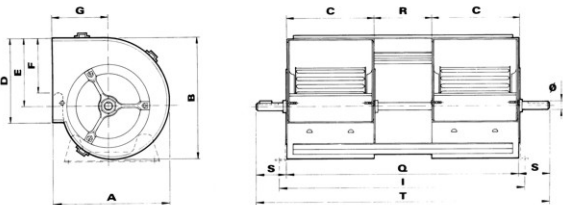
Theoretical Working Point

Airflow	-
Static Pressure	0,000 Pa
Temperature	20 °C
Altitude	0 m
Density	1,2 kg/m ³
Frequency	50 Hz

Performance Chart



Drawing



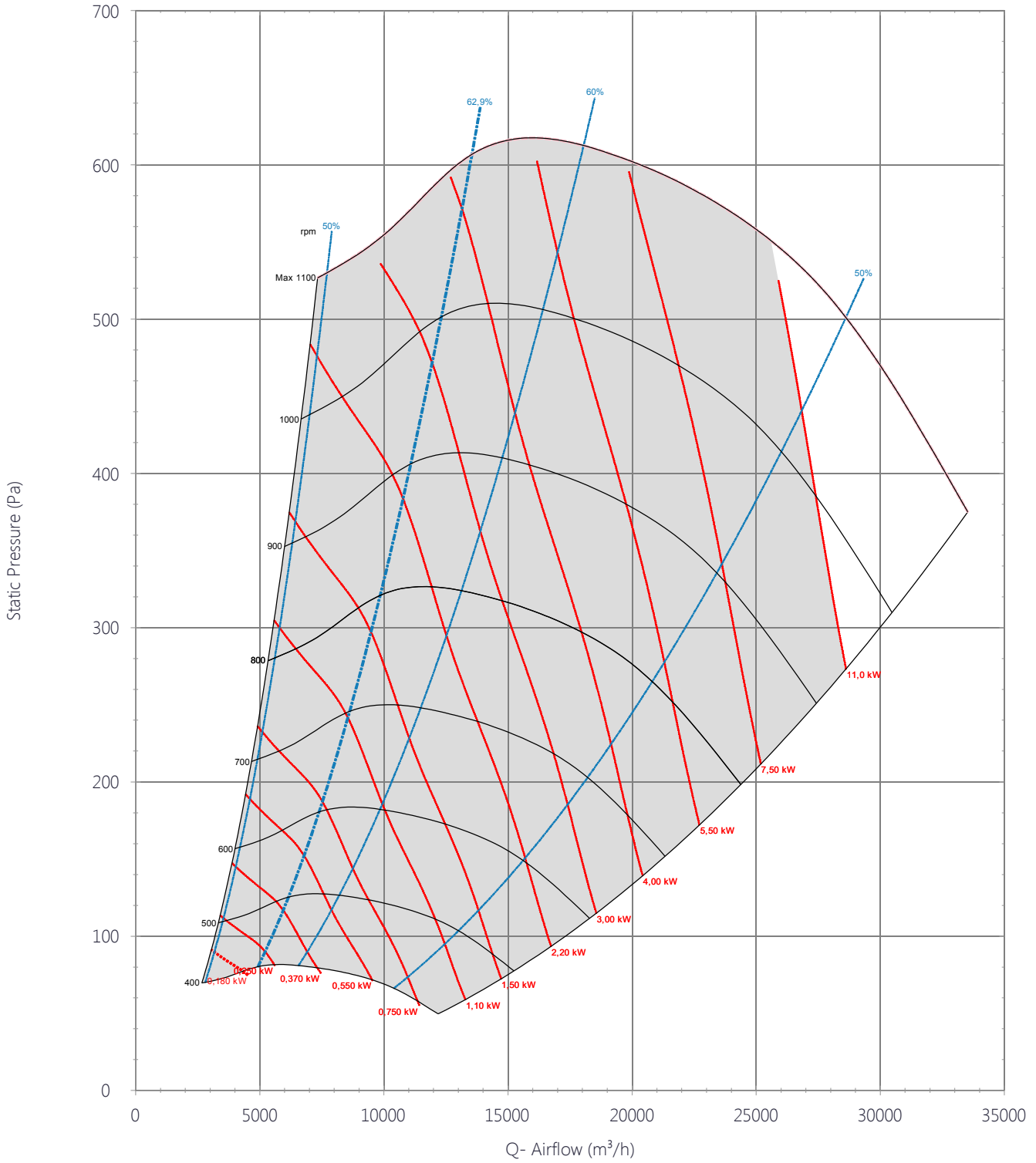
A	B	C	D	E	F	G	I	Q	R	S	T	DE
573	613	473	403	343	270	267	1354	1327	381	105	1537	25



CBPX2-SM

CBPX2-15/15-D-0.18KW/4-1050RPM-3-230/400V-50HZ-IE1

Performance Chart

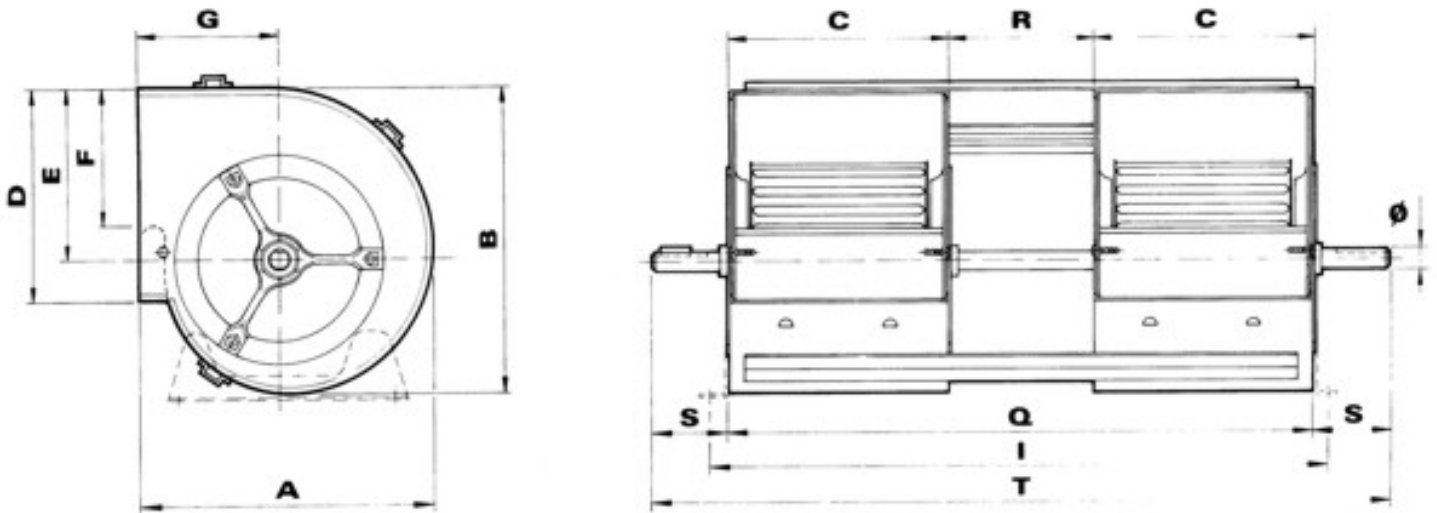




CBPX2-SM

CBPX2-15/15-D-0.18KW/4-1050RPM-3-230/400V-50HZ-IE1

Drawing



A	B	C	D	E	F	G	I	Q	R	S	T	DE
573	613	473	403	343	270	267	1354	1327	381	105	1537	25



CBPX2-SM

CBPX2-15/15-D-0.18KW/4-1050RPM-3-230/400V-50HZ-IE1



ErP Data

Maximum efficiency %	0,0
Installation type	D
Category efficiency	Total
N	
Variable speed drive	
Year of manufacture	Product Rating Plate
Manufacturer's Info	S&P ES-08150 CIF-864911928
Product code	SPTR000047
Input power at optimum efficiency point (kW)	0,000
Airflow at optimum efficiency point [m3/h]	0,000
Pressure at optimum efficiency point [Pa]	0
Speed at optimum efficiency point	1050
Specific Ratio	1
Recycling/disposal	Instruction Manual
Maintenance	Instruction Manual
Additional components	Catalogue and according to ISO 5801