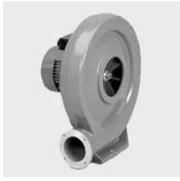




CBT-N

5124005900 - CST-60 (230/400V50HZ) - CENTRIFUGAL DIRECT DRIVE FANS



Single inlet centrifugal fan manufactured from die cast aluminium and finished with a tough, grey colour, epoxy-polyester paint coating. Radial centrifugal impeller dynamically balanced. Motor F, IP-44 with thermal protection, brand S&P model CST-60 (230/400V50HZ) .

Theoretical Working Point

Airflow	-
Static Pressure	0,000 N/m ²
Temperature	20 °C
Altitude	0 m
Density	1,2 kg/m ³
Frequency	50 Hz

Construction

Discharge diameter	60 mm
Fan size	60
Weight	8,00 kg

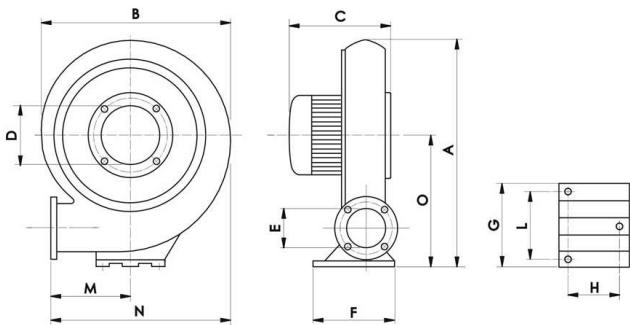
Motor Characteristics

Number of poles	2
Voltage	3-230/400V-50Hz
Maximum absorbed current	0,7 A / 0,4 A
IP Rating	IP44
Motor insulation class	F

Working Point

Fan speed	2750
-----------	------

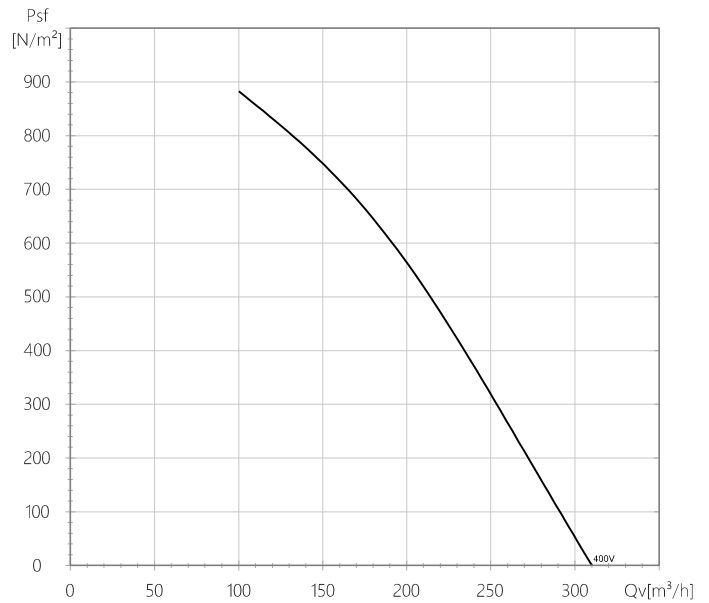
Drawing



A	B	C	D	E	F	G	H	L
327	281	165	110	60	150	120	110	60

M	N	Ød
135	291	190

Performance Chart

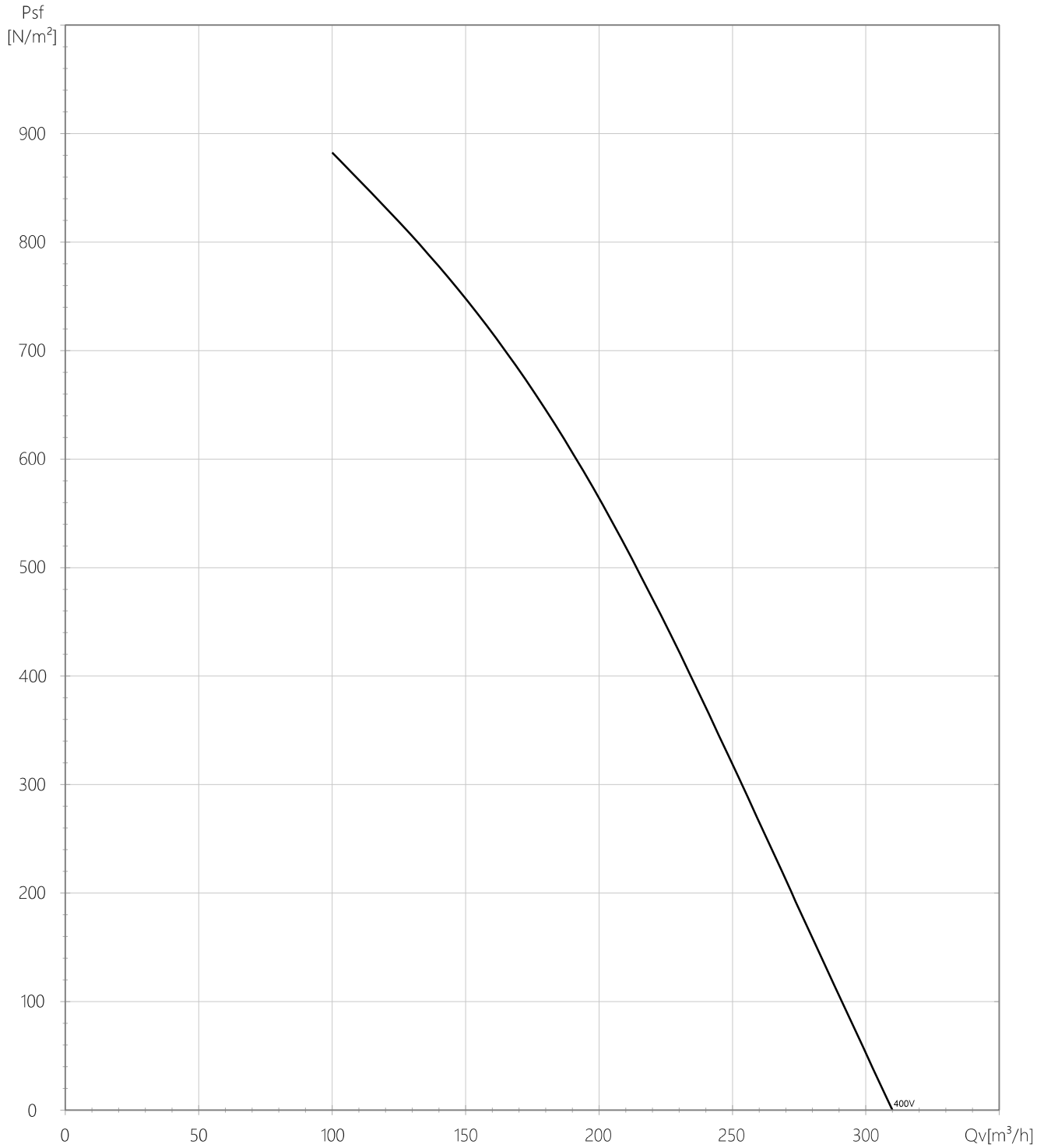




CBT-N

5124005900 - CST-60 (230/400V50HZ) - CENTRIFUGAL DIRECT DRIVE FANS

Performance Chart

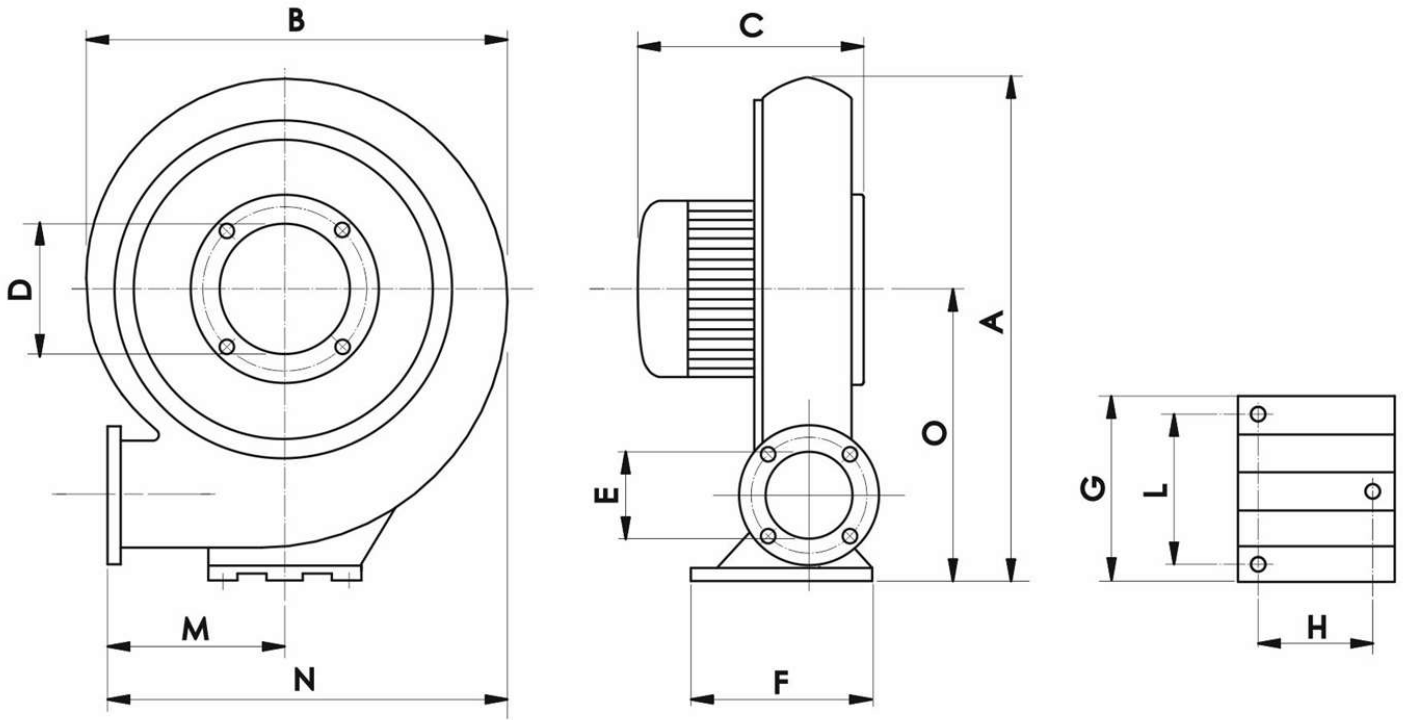




CBT-N

5124005900 - CST-60 (230/400V50HZ) - CENTRIFUGAL DIRECT DRIVE FANS

Drawing



A	B	C	D	E	F	G	H	L	M	N	Ød
327	281	165	110	60	150	120	110	60	135	291	190

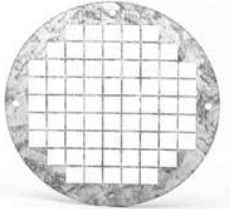


CBT-N

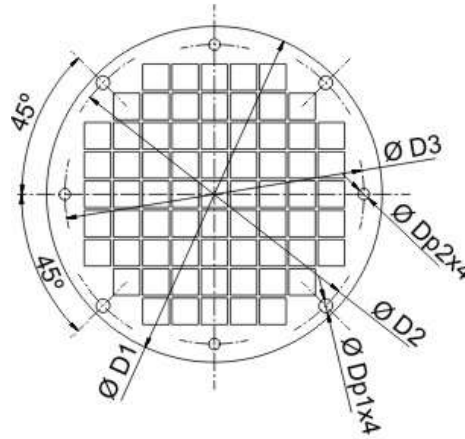
5124005900 - CST-60 (230/400V50HZ) - CENTRIFUGAL DIRECT DRIVE FANS

Accessories

5130866600 - KRJ-120



INLET WIRE PROTECTION GUARD



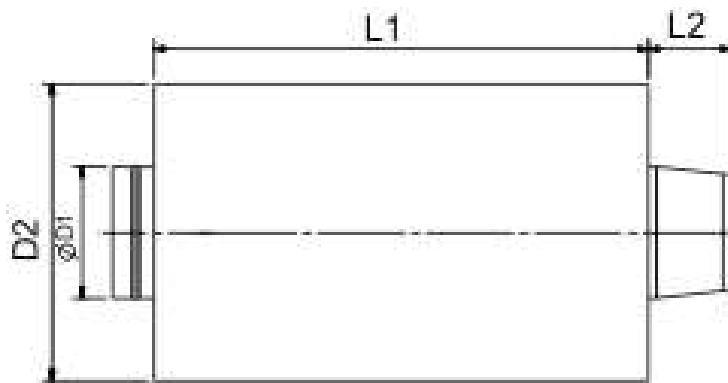
Dimensions

D1	D2	D3	DS1	DS2
148	132	139	5	6

5130301900 - KBTA-60



Sound attenuators for mounting at the inlet.



Corrections

63	125	250	500	1k	2k	4k	8k
-5	-12	-33	-40	-49	-29	-22	-7

Dimensions

L1	L2	D1	D2
600	100	100	300



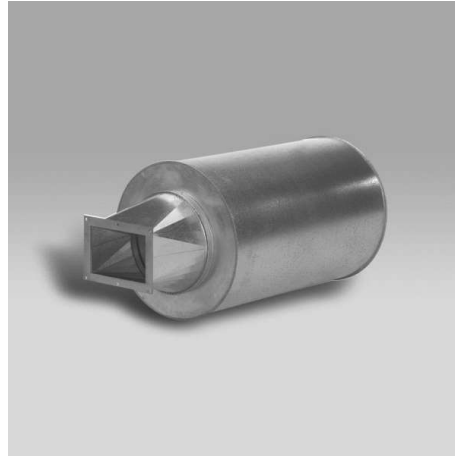
CBT-N

5124005900 - CST-60 (230/400V50HZ) - CENTRIFUGAL DIRECT DRIVE FANS

5130304200 - KBTI-60



Sound attenuators for mounting at the outlet.



Corrections							
63	125	250	500	1k	2k	4k	8k
-5	-12	-33	-40	-49	-29	-22	-7

Dimensions			
L1	L2	D1	D2
600	100	100	300