



EB-N

5211948700 - EB-100N T 230V50



Centrifugal fans, with an approximate airflow of 100 m³/h at free discharge, back draft shutter incorporated, body and impeller made of polypropylene, 230V-50Hz motor, IPX2, Class II. Specially designed for installations where pressure losses have to be overcome, to work at temperatures up to 40°C.

Theoretical Working Point

| | |
|-----------------|------------------------|
| Airflow | - |
| Static Pressure | 0,000 N/m ² |
| Temperature | 20 °C |
| Altitude | 0 m |
| Density | 1,2 kg/m ³ |
| Frequency | 50 Hz |

Construction

| | |
|--------------------|---------|
| Discharge diameter | 98 mm |
| Fan size | 100 N |
| Weight | 1,49 kg |

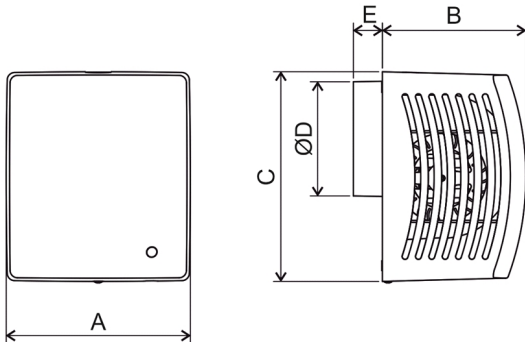
Motor Characteristics

| | |
|--------------------------|-------------|
| Voltage | 1-230V-50Hz |
| Maximum absorbed current | 0,2 A |
| IP Rating | IPX2 |
| Motor insulation class | |

Working Point

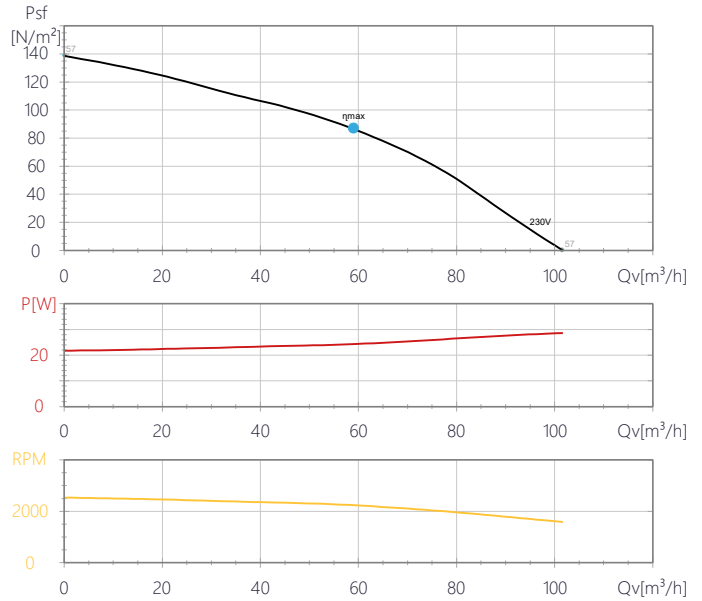
| | |
|-----------|------|
| Fan speed | 2250 |
|-----------|------|

Drawing



| A | B | C | D | E |
|-----|-------|-----|----|----|
| 157 | 123.5 | 179 | 98 | 25 |

Performance Chart



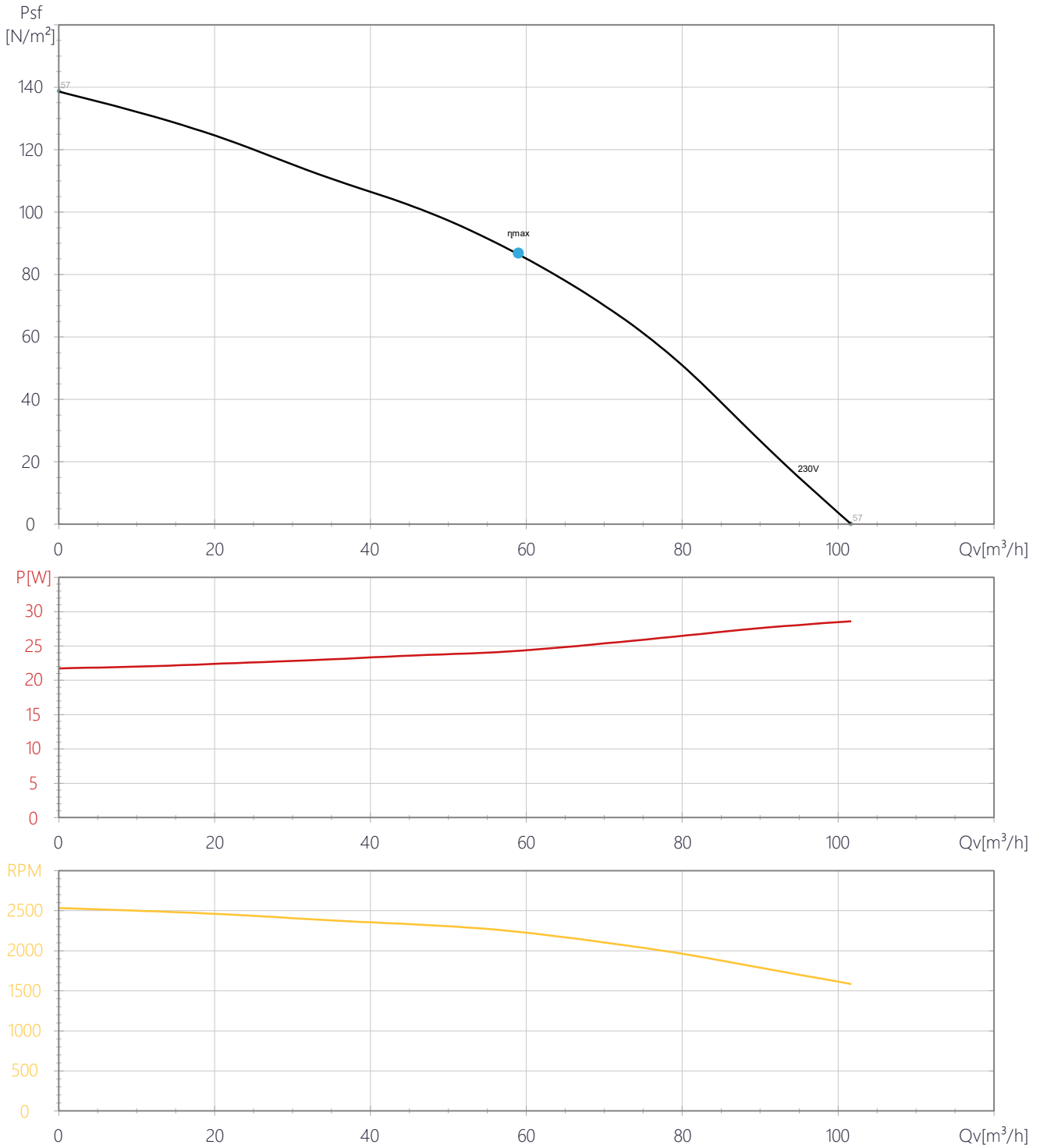


EB-N

5211948700 - EB-100N T 230V50



Performance Chart





EB-N

5211948700 - EB-100N T 230V50

Sound Performance

| | 63 | 125 | 250 | 500 | 1k | 2k | 4k | 8k | Overall |
|----------------|----|-----|-----|-----|----|----|----|----|---------|
| Inlet (LwA) | 26 | 46 | 41 | 54 | 51 | 47 | 38 | 29 | 57 |
| Inlet LpA @ 1m | 15 | 35 | 30 | 43 | 40 | 36 | 27 | 18 | 46 |

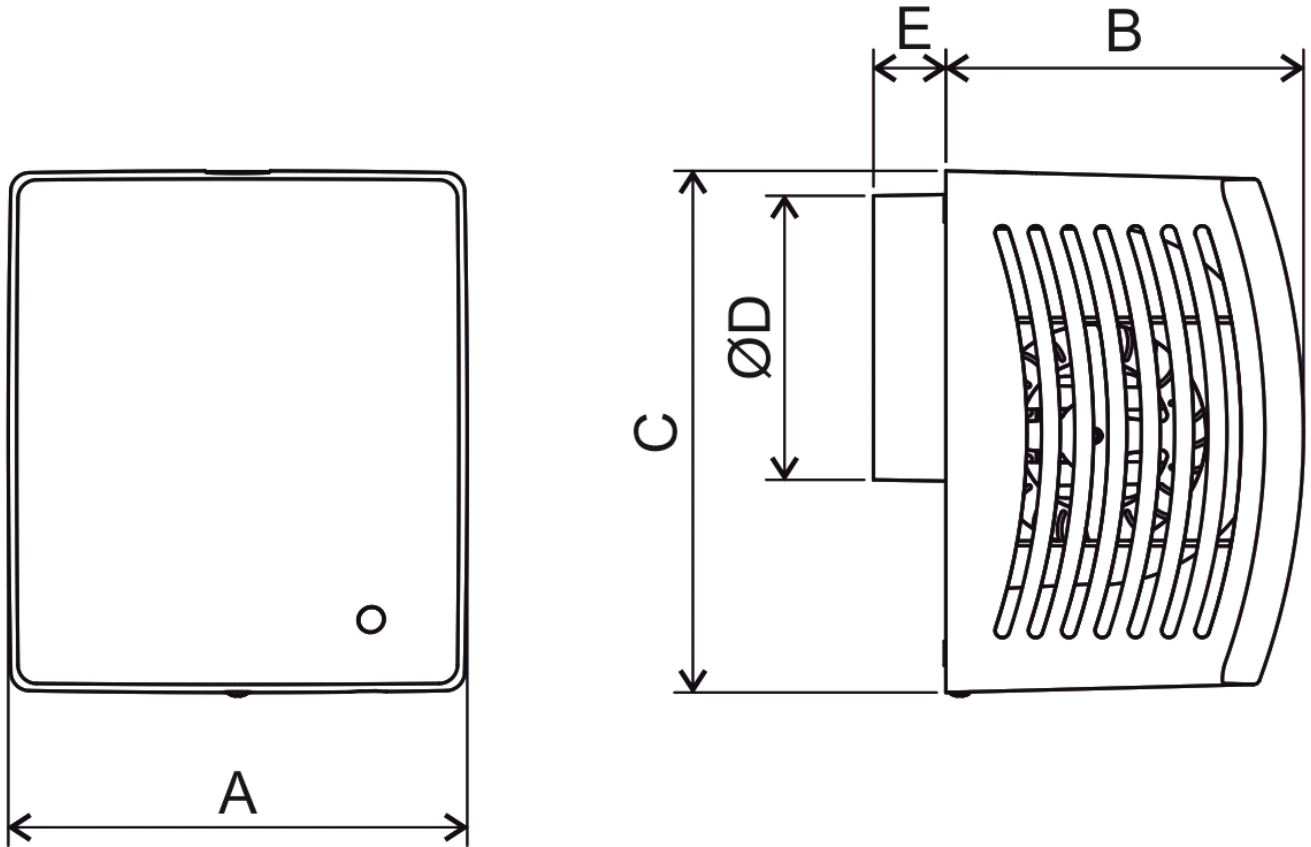




EB-N

5211948700 - EB-100N T 230V50

Drawing



| A | B | C | D | E |
|-----|-------|-----|----|----|
| 157 | 123.5 | 179 | 98 | 25 |