



CBT-40, 60N, 80N, 100N and 130N models.

Range of single inlet direct driven centrifugal fans designed for the continuous extraction of air stream up to 120°C (1).

The casings are manufactured from one piece die cast aluminium and finished with a tough, grey colour, epoxy-polyester paint coating.

All models incorporate radial centrifugal impellers manufactured from die cast aluminium and finished in a red colour epoxy-polyester paint finish.

Available with motors in 2 poles.

(1) Models CSB: up to 70°C.

#### Motors

All motors are IP55, class F (1), with ball bearings greased for life.

Electrical supply:

Single phase 230V-50Hz.

Three phase 230/400V-50Hz and 400V-50Hz.

(See characteristics chart).

(1) Models CSB and CBT-40: IP44, class B and equipped with thermal protection.

#### Additional information

The scroll can be orientated (1) in 7 different positions as per the table below. Standard supplied position: LG270.

(1) CSB and CST Models: only can be supplied in LG270 position.

The CBT-160 model includes PTC probe.

#### On request

2 speed motors.

#### ATEX versions

On request, explosion proof versions in accordance to ATEX Directive for three phase models. For ambient working temperatures from -20°C to +40°C.

- ATEX Flameproof -Gas:

In standard ATEX version flameproof motors are without thermal protection.

If used with frequency inverter, flameproof motors with a PTC-type thermal protection must be specified at order.

Except CBT-40 and CST-60 models

⊕ II 2G Ex d IIB T4

⊕ II 2G Ex d IIB(H2) T4 (with Ex d IIC T4 motor)

- ATEX Increased safety-Gas:

⊕ II 2G Ex e II T3

-ATEX Dust

In standard ATEX version, ATEX motors for dust are without thermal protection.

If used with frequency inverter, ATEX motors for dust with a PTC-type thermal protection must be specified at order.

Suspended flammable particles and non-conductive dust:

⊕ II 3D Ex tc IIIB T125°C

Conductive dust:

⊕ II 3D Ex tc IIIC T125°C (with IP65 motor)

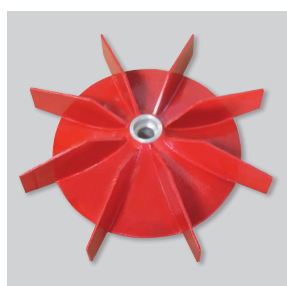
To select CBT-N refer to performance curves, or Easyvent.

The consumption data of ATEX products may vary from the data shown in technical characteristic charts.



#### Tough casing design

Scroll made in one piece aluminium die casting.



#### Impellers dynamically balanced

Radial centrifugal impellers dynamically balanced, according to ISO 1940 standard, providing vibration free operation.

#### Specific applications

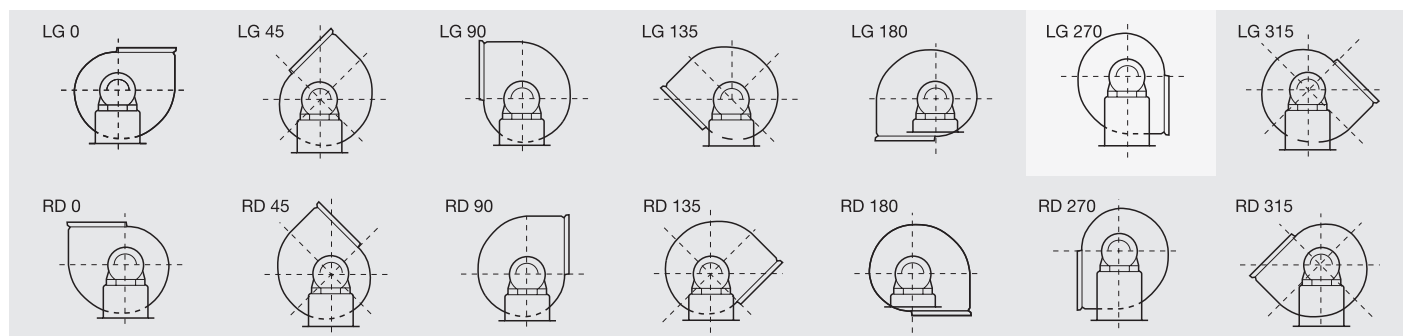


Continuous



Versions

### POSITIONS



Standard supplied position: LG 270.

It is possible to obtain all other positions (LG and RD) by adjusting the scroll.

### TECHNICAL CHARACTERISTICS

Before installation check that the product electrical characteristics listed on the data plate label (voltage, power, frequency, etc.) match those of the intended electrical supply.

\* Average sound pressure levels, measured at 1,5 meters in dB(A) in open air, at the inlet side of the fans.

Model	Speed (rpm)	Outlet diameter (mm)	Motor power (kW)	Motor class	IP protection	Max. air stream temp. (°C)	Maximum absorbed current (A)		Max. airflow (m³/h)	Sound pressure level** (dB(A))	Weight (kg)	ATEX version (Yes / No)	Variable frequency inverter	
							230 V	400 V					VFTM***	VFKB***
SINGLE PHASE														
CSB-60	2750	60	0,20*	B	IP44	70	1,2	–	310	69	6,6	–	–	–
CBB-60N	2800	60	0,18	F	IP55	120	1,18	–	400	69	10	–	–	–
CBB-80N	2800	80	0,37	F	IP55	120	2,2	–	730	71	13,5	–	–	–
CBB-100N	2800	100	0,75	F	IP55	120	3,9	–	1.250	78	18,5	–	–	–
THREE PHASE														
CBT-40	2800	40	0,25*	B	IP44	120	0,75	0,43	250	78	10	No	–	–
CST-60	2750	60	0,18*	B	IP44	120	0,67	0,39	310	69	6,5	No	–	–
CBT-60N	2800	60	0,18	F	IP55	120	1,09	0,63	400	69	10,5	Yes	VFTM TRI 0,37	VFKB 45
CBT-80N	2800	80	0,37	F	IP55	120	2,1	1,21	730	71	14,5	Yes	VFTM TRI 0,37	VFKB 45
CBT-100N	2800	100	0,75	F	IP55	120	2,9	1,7	1.250	78	19,5	Yes	VFTM TRI 0,75	VFKB 45
CBT-130N	2800	130	1,1	F	IP55	120	4,3	2,5	1.910	80	27,5	Yes	VFTM TRI 1,1	VFKB 45

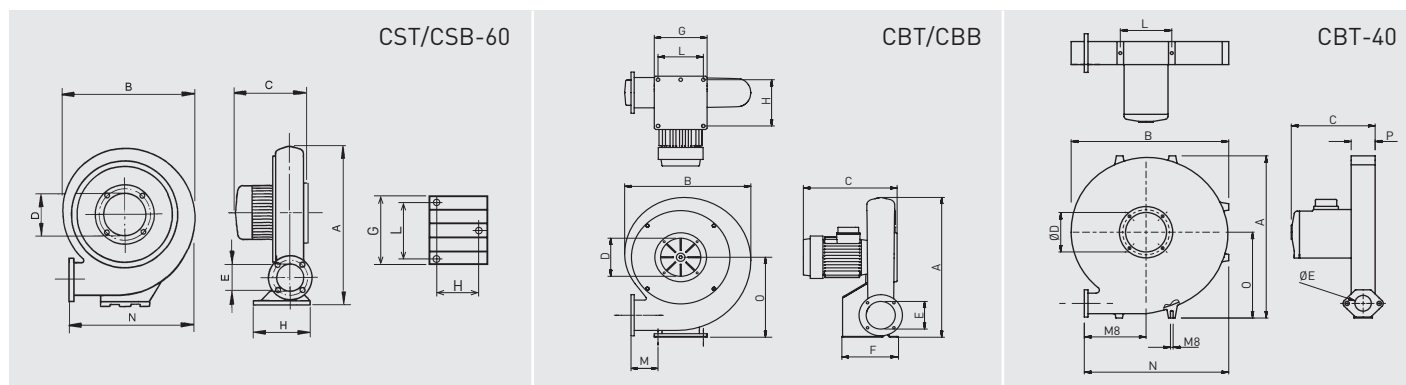
\* Motor absorbed power.

\*\* Sound pressure dB(A), measured in free field conditions at a distance of 1,5 meters.

\*\*\* VSD supply: Three phase 400V

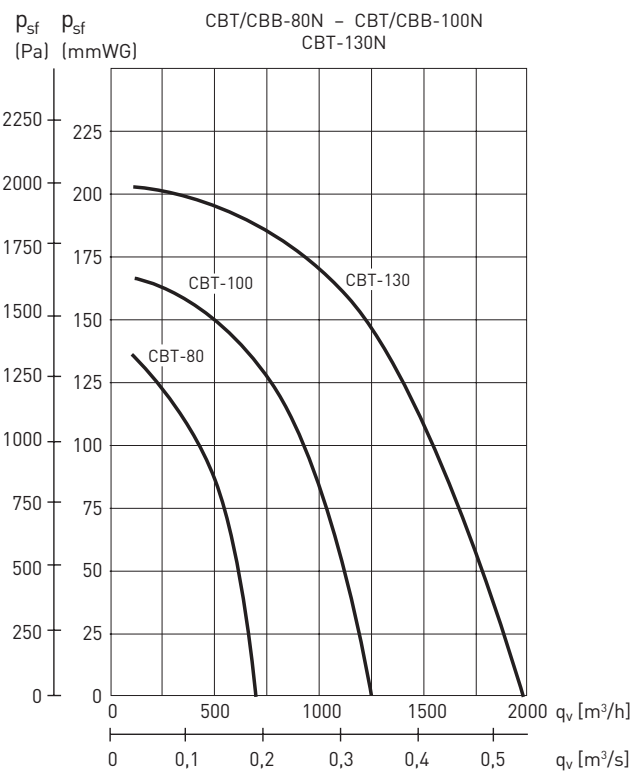
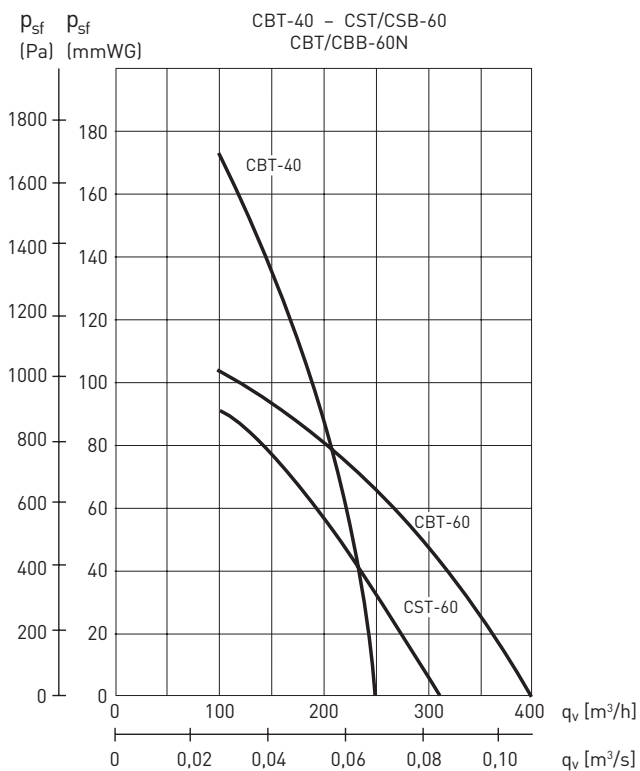
## DIMENSIONS (mm)

Model	A	B	C	Ø D	Ø E	F	G	H	L	M	N	O
CST/B-60	327	281	165	110	60	150	120	110	60	135	291	190
CBT-40	411	385	197	114	40	52	-	-	128	150	352	217
CBT/CBB-60N	375	332	258	110	60	125	122	98	100	97	324	206
CBT/CBB-80N	450	390	286	125	80	147	140	120	118	97	374	256
CBT/CBB-100N	511	434	328	140	100	201	184	170	158	101	415	294
CBT/CBB-130N	603	508	353	160	130	216	230	185	204	88	480	348



## PERFORMANCE CURVES

- $q_v$ : Airflow in  $m^3/h$  and  $m^3/s$ .
- $p_{sf}$ : Static pressure in mmWG and Pa.
- Dry air at 20°C and 760 mmHg.
- Performance data in accordance with ISO 5801 and AMCA 210-99 Standards.



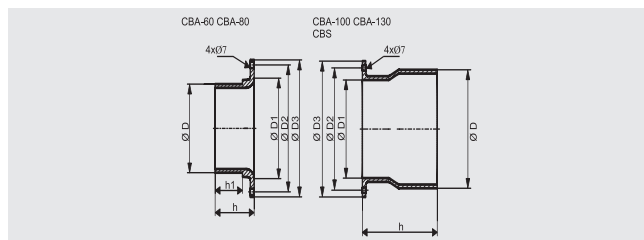
**MOUNTING ACCESSORIES**



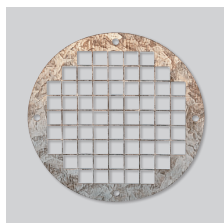
**CBA/CBS**

Circular connection flanges.

Model	To mount on	Diameter Ø (mm)
CBA-60	Aspiración CBT-60N	100
CBA-80	Aspiración CBT-80N	125
CBA-100	Aspiración CBT-100N	160
CBA-130	Aspiración CBT-130N	200
CBS-60	Descarga CBT-60N	100
CBS-80	Descarga CBT-80N	125
CBS-100	Descarga CBT-100N	160
CBS-130	Descarga CBT-130N	200



Model	D	D1	D2	D3	h	h1
CBA-60	97	110	139	150	50	35
CBA-80	122	125	147	165	50	35
CBA-100	157	130	162	180	116	-
CBA-130	197	150	180	200	132	-
CBS-60	97	60	80	95	104	-
CBS-80	122	80	105	123	128	-
CBS-100	157	100	130	150	140	-
CBS-130	197	130	165	190	146	-



**DEF-T and KRJ**

Inlet guard.

Inlet guard	Model CBT
DEF-100T	40
KRJ-120	60
KRJ-140	80
DEF-140T	100
KRJ-160	130

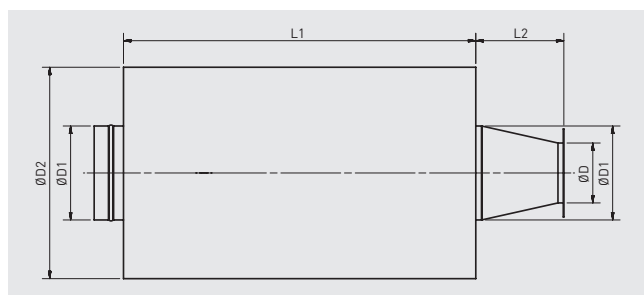


**KBTA**

Sound attenuators to mount at CBT inlet models.

**KBTI**

Sound attenuators to mount at CBT outlet models.



Model CBT	Model KBTA	Model KBTI	L1	L2 (KBTA)	L2 (KBTI)	D (KBTI)	D (KBTA)	D1	D2
60	KBTA-60	KBTI-60	600	100	100	60	100	100	300
80	KBTA-80	KBTI-80	600	100	100	80	125	125	325
100	KBTA-100	KBTI-100	600	100	150	100	160	160	360
130	KBTA-130	KBTI-130	600	150	150	130	200	200	400

## MOUNTING ACCESSORIES



### KCBT - EXTRACTION ARM KIT

Extraction kits designed to extract welding fumes, vapors and dust in multiple industrial processes. Kits include an EA extraction arm, a connection flange CBS 160/100 CBT 100/EA and a CBT-100N fan.

EA extraction arms can be mounted on wall or ceiling and have a swivel joint 360°, which allows orientation at any direction. For indoor installations.

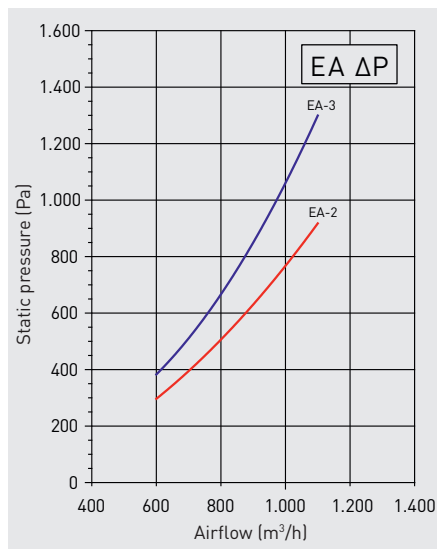


### KCBT - EXTRACTION ARM KIT

Configuration, performance and features

Kit KCBT	Extraction arm					Connection flange		Fan		
	Model	Length (m)	Peso (kg)	Max. fumes temperature (°C)	Sound level in the hood (dB(A))	Model	Ø (mm)	Model	Motor power (kW)	Airflow (m³/h)
KCBT-2	EA- 2	2	11	70	63-75	CBS 160/100 CBT 100/EA	150/160	CBT-100N	0,75	700-1000
KCBT-3	EA- 3	3	13	70	63-75	CBS 160/100 CBT 100/EA	150/160	CBT-100N	0,75	700-1000

### Load loss due to the arm EA



### Dimensions (mm)

