



EBB-100 N



EBB-170 N
and EBB-250 N

Domestic and commercial centrifugal fan, with an airflow up to 270 m³/h in free discharge, built-in back draft shutter, body and rotor made of polypropylene, 230V-50Hz 2-speed motor (EBB-100 N) or three speeds (EBB-170 N)/ EBB-250 N), IP44, Class II.

Specially designed for installations where higher system resistance pressures are encountered, suitable to operate with air temperature up to 40°C.



2 SPEEDS



3 SPEEDS



Filters

Two metal filters (inox for models 170 and 250) that keep out dust and dirt in the exhaust.



Back draft shutter

The EBB-N are fitted with an automatic back draft shutter to prevent air entry and limit heat leakage when the extractor is not operating.

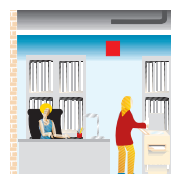


Model EBB-100 N:
2 Back draft shutter
of Ø80 y Ø100 mm.



Forward curved centrifugal impeller

To deliver high performance with a minimum noise level against high static pressure system resistance.

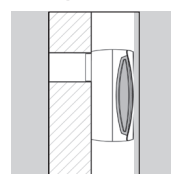


FEATURES - MODELS

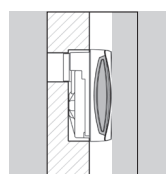
EBB-100 N	S	T	HT
2 BACK DRAFT SHUTTER	●	●	●
FILTERS	●	●	●
2 SPEED	●	●	●
ADJUSTABLE RUN-ON-TIMER		●	●
INTERNAL HUMIDISTAT			●

EBB-170 N / EBB-250 N	HT
BACK DRAFT SHUTTER	●
INOX FILTERS	●
3 SPEED	●
ADJUSTABLE RUN-ON-TIMER	●
INTERNAL HUMIDISTAT	●
2 POSITIONS INTEGRATED SWITCH	●

Examples of installation



Surface



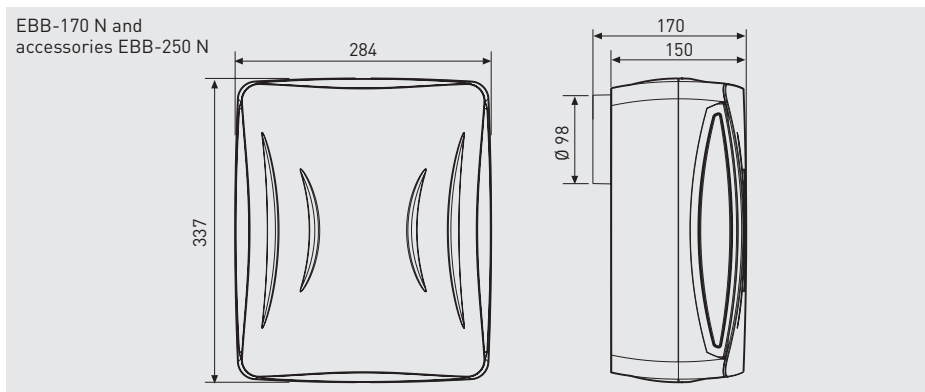
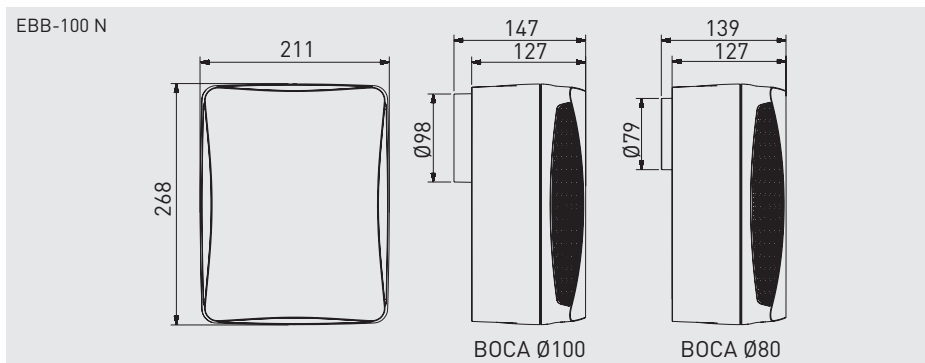
Built-in

TECHNICAL CHARACTERISTICS

Model	Speed (rpm)		Abs. power at free discharge (W)	Voltage (V) 50Hz	Airflow at free discharge (m³/h)	Sound pressure level* (dB(A))	IP	Ø duct (mm)	Weight (kg)
EBB-100 N	VR	1500	29	230	110	44	Clase II / IP44	100/80	1,8
	VL	1040	15	230	70	34			
EBB-170 N	VR	1120	48	230	230	43	Clase II / IP44	100	3
	VM	850	38	230	160	37			
EBB-250 N	VR	1240	53	230	280	46	Clase II / IP44	100	3
	VM	990	41	230	210	36			
	VL	930	31	230	140	37			

* Sound pressure level measured at 1,5 m at free air conditions.

DIMENSIONS (mm)



ACCESSORIES



GSA-M0 100
Flexible aluminium ducting.



GRA-70
Aluminium external grille.



MRT-100
Circular duct joining piece.



CX-80/125
Worm drive ducting clip.

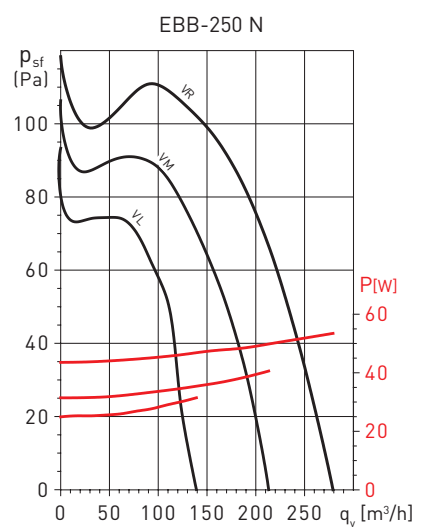
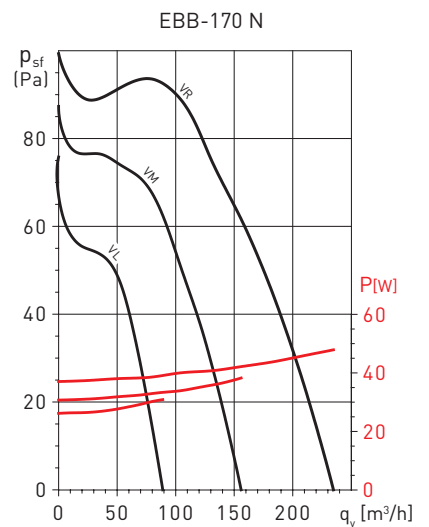
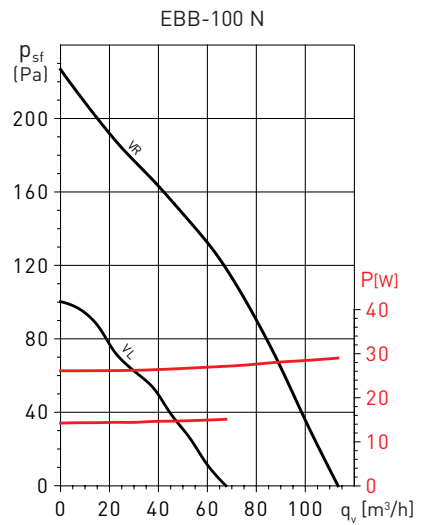


REB
Single phase electronic speed controllers.



REGUL-2
Two speed switch.

PERFORMANCE CURVE



INTER-4P
3-speed switch.