



Autonomous and intelligent extractor fan for the bathroom. It automatically adjusts its performance to the ambient conditions and ventilation requirements via a presence detection sensor and a humidity sensor.

SILENT DUAL incorporates an intelligent control algorithm to automatically adjust the settings according to the ambient conditions, without the need for user interaction. SILENT DUAL learns from its environment (ambient conditions) and operates accordingly.

AC motor commissioned to achieve the required flow rate, minimizing consumption and noise levels to meet the exact ventilation requirement.

- Direct two-wire connection (L, N).
- Supply: 220-240V 50Hz
  - Working temperatures: -5°C / +40°C
  - IP45 - Class II
  - Thermal protection
  - Removable backdraft shutter

AUTO %HR

2 SENSORS

PLUG&PLAY

DESIGNED FOR AN EASY INSTALLATION

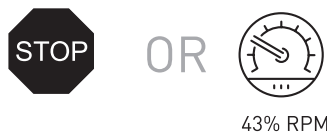
**OPERATION**

**SILENT DUAL**

operates automatically when it detects movement or rises in humidity levels and activates a pre-set mode to achieve the lowest energy consumption and the lowest noise level.

**NO PRESENCE DETECTION  
 NO "HUMIDITY EVENT"**

Instant RH < average ambient RH  
 NO detection.



Depending on the configuration of the operating mode (intermittent or permanent)

**PRESENCE DETECTION**

Instant RH < average ambient RH  
 YES detection.



**SUDDEN CHANGE IN HUMIDITY**

Instant RH > average ambient RH  
 "Sudden change"



**SLIGHT CHANGE IN HUMIDITY**

Instant RH > average ambient RH  
 "Smooth change"



## TECHNICAL CHARACTERISTICS

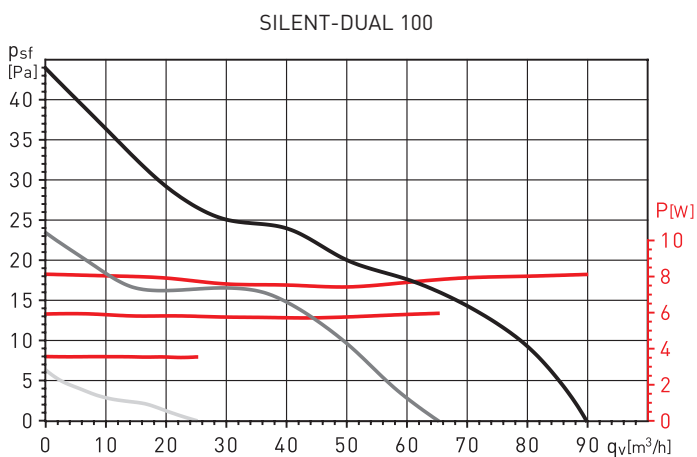
Model		Speed (rpm)	Maximum power absorbed (W)	Maximum current absorbed (A)	Maximum air volume (m³/h)	Sound pressure level (dB(A) @ 3m)
SILENT DUAL 100	BOOST	2200	8	0,08	90	26,5
	PIR+TIMER	1670	6	0,08	65	22
	CONTINUOUS	910	4	0,07	25	<20

## ACOUSTIC CHARACTERISTICS

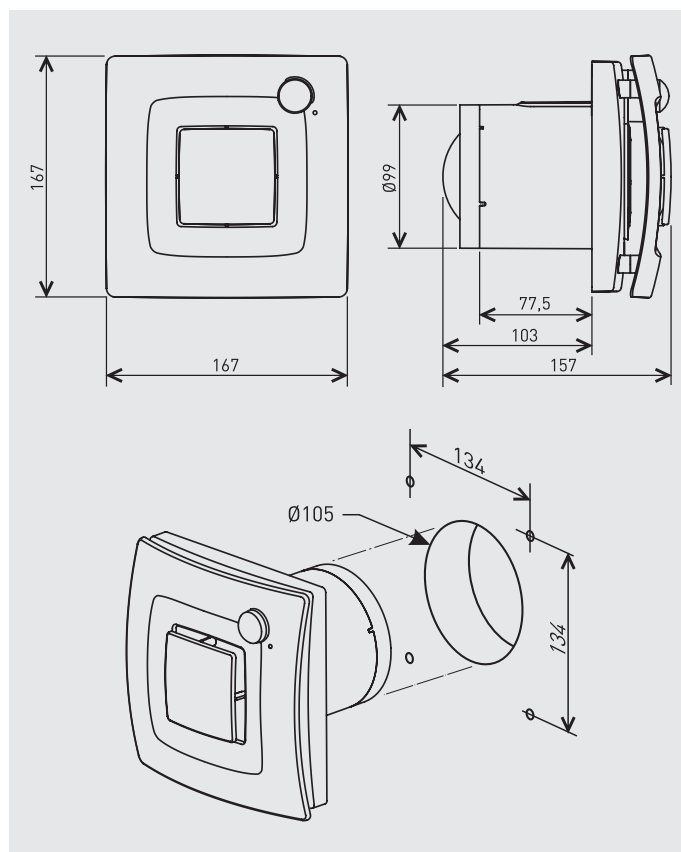
Model	63	125	250	500	1000	2000	4000	8000	LwA	LpA
BOOST	27	29	37	38	44	40	36	24	47	26,5
PIR+TIMER	21	23	31	33	39	36	30	18	43	22
CONTINUOUS	17	18	18	18	21	20	19	18	28	<20,0

Sound pressure level (LpA) measured at 3m in free field conditions.

## PERFORMANCE CURVES



## DIMENSIONS (mm)



## ACCESSORIES



**GSA-M0 100**  
Flexible aluminium ducting.



**GRA-75**  
Aluminium exterior grille.



**CX-80/125**  
Worm drive ducting clip.



**PER-100W**  
Back draft shutter.



Autonomous and intelligent extractor fan for the bathroom. It automatically adjusts its performance to the ambient conditions and ventilation requirements via a presence detection sensor and a humidity sensor.

SILENT DUAL incorporates an intelligent control algorithm to automatically adjust the settings according to the ambient conditions, without the need for user interaction. SILENT DUAL learns from its environment (ambient conditions) and operates accordingly.

AC motor commissioned to achieve the required flow rate, minimizing consumption and noise levels to meet the exact ventilation requirement.

- Direct two-wire connection (L, N).
- Supply: 220-240V 50Hz
  - Working temperatures: -5°C / +40°C
  - IP45 - Class II
  - Thermal protection
  - Removable backdraft shutter

AUTO %HR

2 SENSORS

PLUG&PLAY

DESIGNED FOR AN EASY INSTALLATION

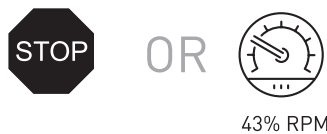
**OPERATION**

**SILENT DUAL**

operates automatically when it detects movement or rises in humidity levels and activates a pre-set mode to achieve the lowest energy consumption and the lowest noise level.

**NO PRESENCE DETECTION  
 NO "HUMIDITY EVENT"**

Instant RH < average ambient RH  
 NO detection.



Depending on the configuration of the operating mode (intermittent or permanent)

**PRESENCE DETECTION**

Instant RH < average ambient RH  
 YES detection.



**SUDDEN CHANGE IN HUMIDITY**

Instant RH > average ambient RH  
 "Sudden change"



**SLIGHT CHANGE IN HUMIDITY**

Instant RH > average ambient RH  
 "Smooth change"



## TECHNICAL CHARACTERISTICS

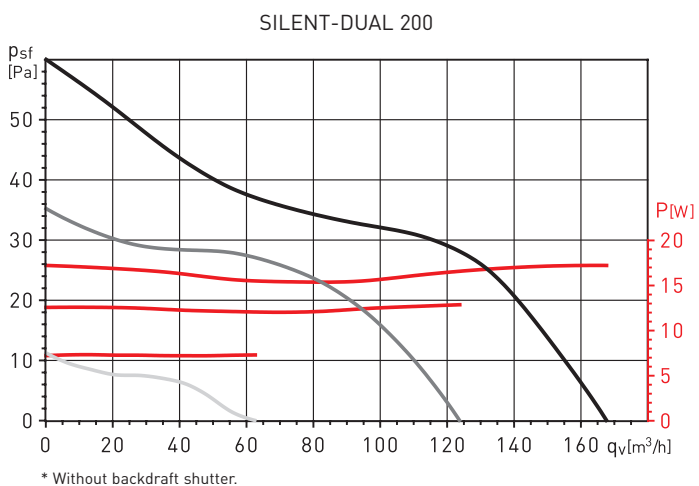
Model		Speed (rpm)	Maximum power absorbed (W)	Maximum current absorbed (A)	Maximum air volume (m³/h)	Sound pressure level (dB(A) @ 3m)
SILENT DUAL 200	BOOST	2280	17	0,12	170	34
	PIR+TIMER	1870	13	0,11	120	29
	CONTINUOUS	1010	7	0,09	60	<20

## ACOUSTIC CHARACTERISTICS

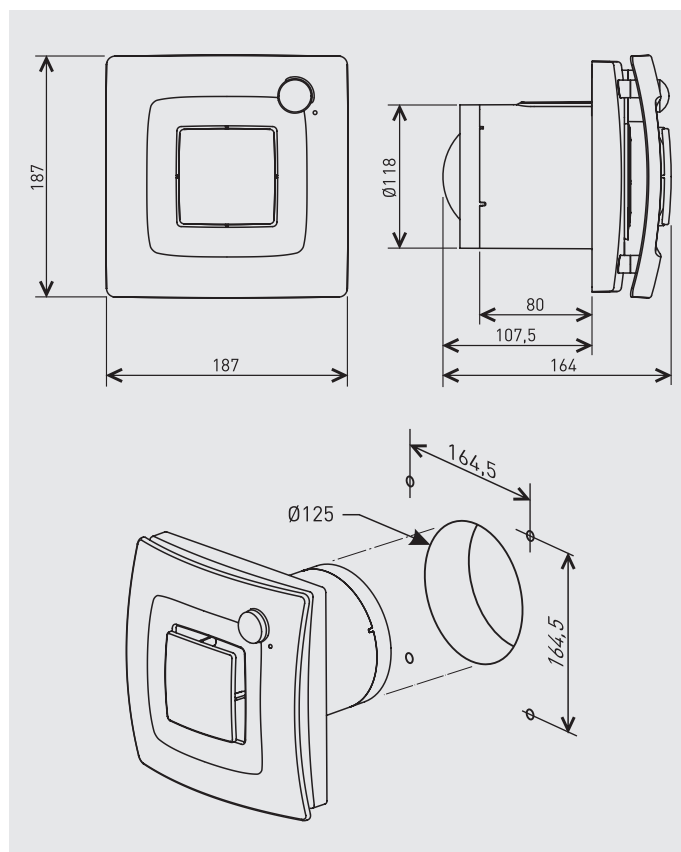
Model	63	125	250	500	1000	2000	4000	8000	LwA	LpA
BOOST	26	33	42	48	49	50	42	29	54	34
PIR+TIMER	22	29	38	44	45	46	38	25	50	30
CONTINUOUS	17	20	26	29	27	22	19	18	33	<20

Sound pressure level (LpA) measured at 3m in free field conditions.

## PERFORMANCE CURVES



## DIMENSIONS (mm)



## ACCESSORIES



**GSA-M0 100**  
Flexible aluminium ducting.



**GRA-75**  
Aluminium exterior grille.



**CX-80/125**  
Worm drive ducting clip.



**PER-100W**  
Back draft shutter.





Autonomous and intelligent extractor fan for the bathroom. It automatically adjusts its performance to the ambient conditions and ventilation requirements via a presence detection sensor and a humidity sensor.


SILENT DUAL incorporates an intelligent control algorithm to automatically adjust the settings according to the ambient conditions, without the need for user interaction. SILENT DUAL learns from its environment (ambient conditions) and operates accordingly.


AC motor commissioned to achieve the required flow rate, minimizing consumption and noise levels to meet the exact ventilation requirement.

- Direct two-wire connection (L, N).
- Supply: 220-240V 50Hz
  - Working temperatures: -5°C / +40°C
  - IP45 - Class II
  - Thermal protection
  - Removable backdraft shutter

  
 AUTO %HR

  
 2 SENSORS

  
 PLUG&PLAY

  
 DESIGNED FOR AN EASY INSTALLATION

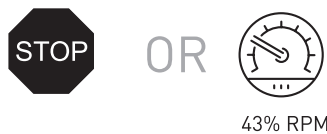
**OPERATION**

**SILENT DUAL**

operates automatically when it detects movement or rises in humidity levels and activates a pre-set mode to achieve the lowest energy consumption and the lowest noise level.

**NO PRESENCE DETECTION  
 NO "HUMIDITY EVENT"**

Instant RH < average ambient RH  
 NO detection.



Depending on the configuration of the operating mode (intermittent or permanent)

**PRESENCE DETECTION**

Instant RH < average ambient RH  
 YES detection.



**SUDDEN CHANGE IN HUMIDITY**

Instant RH > average ambient RH  
 "Sudden change"



**SLIGHT CHANGE IN HUMIDITY**

Instant RH > average ambient RH  
 "Smooth change"



## TECHNICAL CHARACTERISTICS

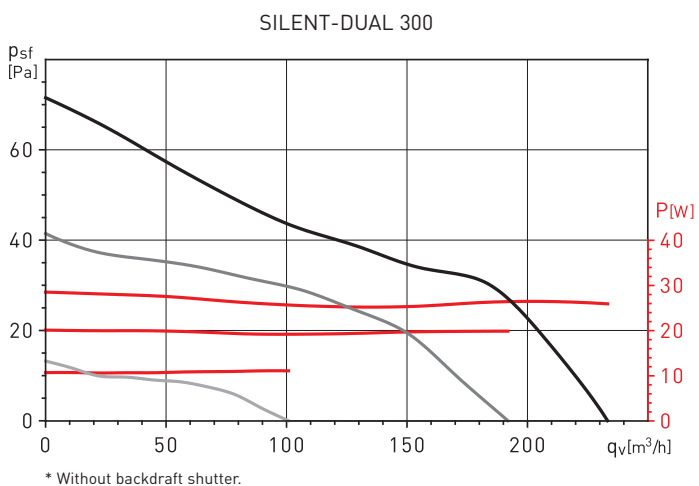
Model		Speed (rpm)	Maximum power absorbed (W)	Maximum current absorbed (A)	Maximum air volume (m³/h)	Sound pressure level (dB(A) @ 3m)
SILENT DUAL 300	BOOST	2120	26	0,16	235	37
	PIR+TIMER	1800	20	0,14	190	33
	CONTINUOUS	1010	11	0,11	100	<20

## ACOUSTIC CHARACTERISTICS

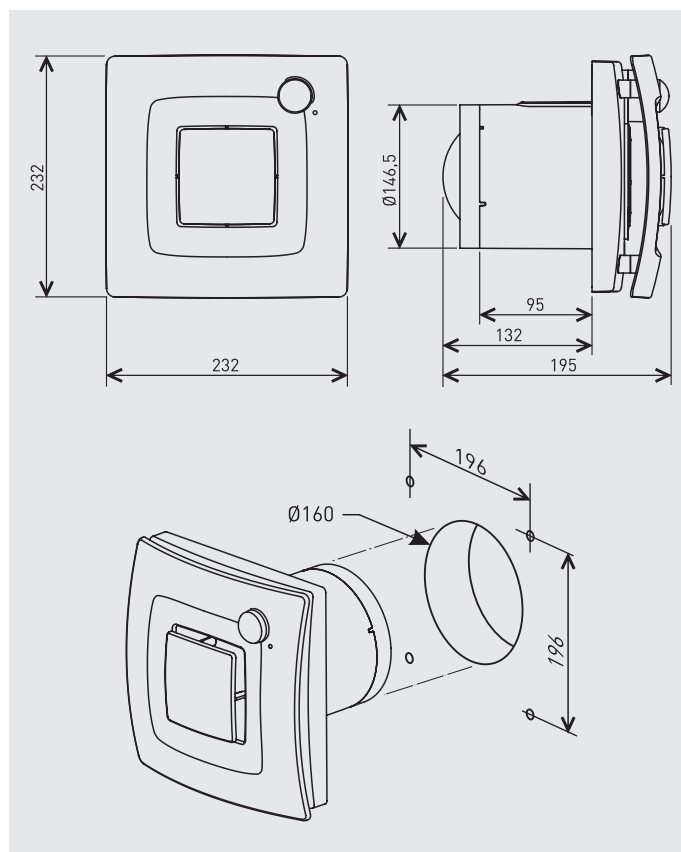
Model	63	125	250	500	1000	2000	4000	8000	LwA	LpA
BOOST	19	33	38	49	55	51	43	29	57	37
PIR+TIMER	16	29	34	45	51	47	40	26	53	33
CONTINUOUS	18	21	31	34	36	25	19	18	39	<20

Sound pressure level (LpA) measured at 3m in free field conditions.

## PERFORMANCE CURVES



## DIMENSIONS (mm)



## ACCESSORIES



**GSA-M0 100**  
Flexible aluminium ducting.



**GRA-75**  
Aluminium exterior grille.



**CX-80/125**  
Worm drive ducting clip.



**PER-100W**  
Back draft shutter.