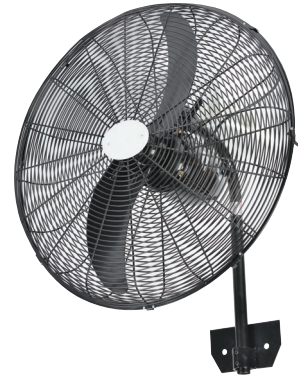


HWFA

Wall Mounted
Circulating Fan

HWFA

Product Overview



- Air volume flow rates up to 3.83 m³/s
- Three speed settings
- Suitable for operating temperatures up to +45°C
- Smooth oscillation through 90° arc
- 30° Adjustable airflow direction
- Available in **AC**

The Wall Mounted HWFA Fan is an air circulation fan designed to provide powerful and effective positive air movement, improving the environmental conditions in a wide variety of industrial, commercial and residential building services applications.

Construction

The all metal fan casing provides a long lasting robust construction. Guards are black painted wire with additional radial supports to provide increased stiffness.

Warranty

Each HWFA has a 12 month warranty.

Motors

Motors are three speed induction, with sealed for life bearings, suitable for operating temperatures up to +45°C.

Impeller

The fan blades are constructed from high quality aluminium, fully balanced, with epoxy powder coated finish in black.

Electrical

All units are suitable for Single Phase 220V to 240V 50Hz operation.

Typical Applications

- Industrial Warehousing
- Gymnasiums
- Factories
- Marquees and Workshops

Contents

Page	Information
3	Performance SFP & Electrical Data
4	Dimensional Data
5	Notes

Product Coding

Code	Reference
HWFA	Product Range
650	Diameter
e.g.	HWFA650

Performance, SFP & Electrical Data

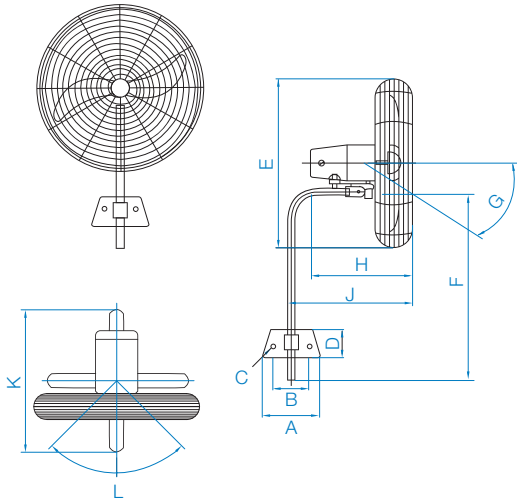
Single Phase 220V to 240V / 50Hz

Product Code	Speed r/min	Air Delivery Max m ³ /s	Electrical Data		dBA @ 3m
			Power W	FLC Amps	
HWFA650	890	1.830	130	0.56	46
	1050	2.830	148	0.62	50
	1380	3.830	170	0.80	59

Dimensional Data

Single Phase

Product Code	A	B	C	D	E	F	G	H	J	K	L	Weight kg
HWFA650	190	114	12.5	112	690	445	30°	360	525	590	90°	14.3



Dimensions are in mm.

Building Services

Tel **+44 (0) 1384 275800**
Fax **+44 (0) 1384 275810**
Email **info@eltafans.co.uk**

46 Third Avenue, Pensnett Trading Estate, Kingswinford,
West Midlands, DY6 7US United Kingdom

Applied Technology & Building Services Export

Tel **+44 (0) 1489 566500**
Fax **+44 (0) 1489 566555**
Email **at@eltafans.co.uk / export@eltafans.co.uk**

17 Barnes Wallis Road, Segensworth East Industrial Estate,
Fareham, Hampshire, PO15 5ST United Kingdom

eltafans.com

HWFA-11-2018 Issue A



BS EN ISO 9001:2015 FM 556465

