



JETLINE

5145895900 - JETLINE-160 (220/240V50/60HZ) N8 - IN LINE DUCT FANS



In-line fan for circular duct with low profile compact casing manufactured from galvanised sheet steel and rubber gasket on the flanges. High performance impeller, guide vane and outlet diffuser manufactured from injection-moulded plastic, to increase performances and lower the sound level. IP55 terminal box fixed on the casing.

Mounting bracket supplied with the fan, enabling to mount the fan in two different positions and any shaft orientation

Motor

Single-phase external rotor motor assembled with antivibration mount to reduce vibration and noise level, 220-240V50/60Hz, IP44, class F, with thermal protection and speed regulable by tension.

Working temperature -20/60°C

Model JETLINE-160 (220/240V50/60HZ) N8.

Theoretical Working Point

Airflow	-
Static Pressure	0,000 Pa
Temperature	20 °C
Altitude	0 m
Density	1,2 kg/m ³
Frequency	50 Hz

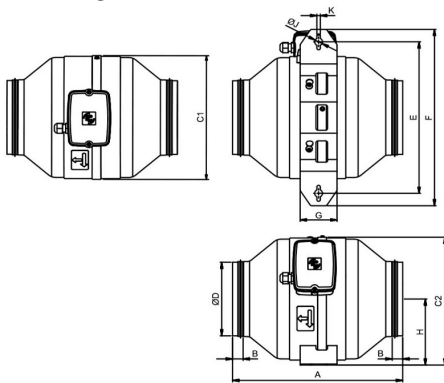
Construction

Discharge diameter	160 mm
Fan size	160

Motor Characteristics

Number of poles	2
Voltage	1-230V-50Hz
Maximum absorbed current	0,4 A
IP Rating	IP44
Motor insulation class	F

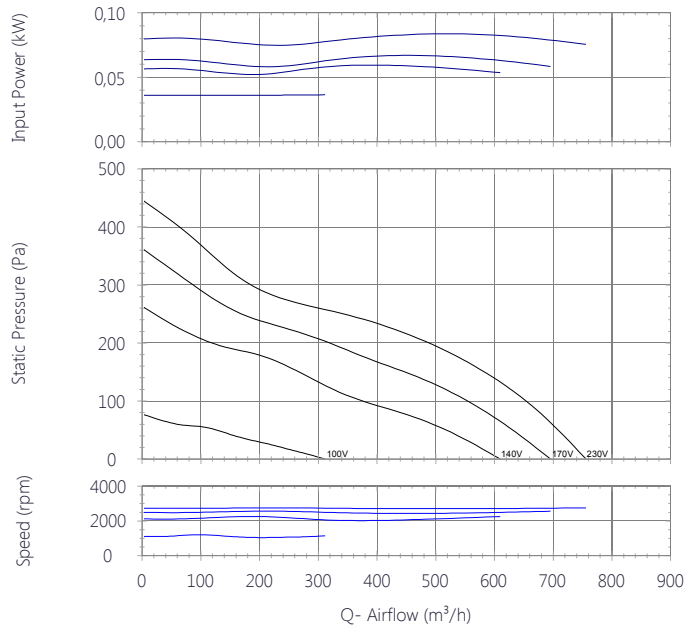
Drawing



A	B	C1	C2	øD	E	F	G	H
323	20	243.5	252	155	298.5	348	70	130

øJ	K
15	6.5

Performance Chart



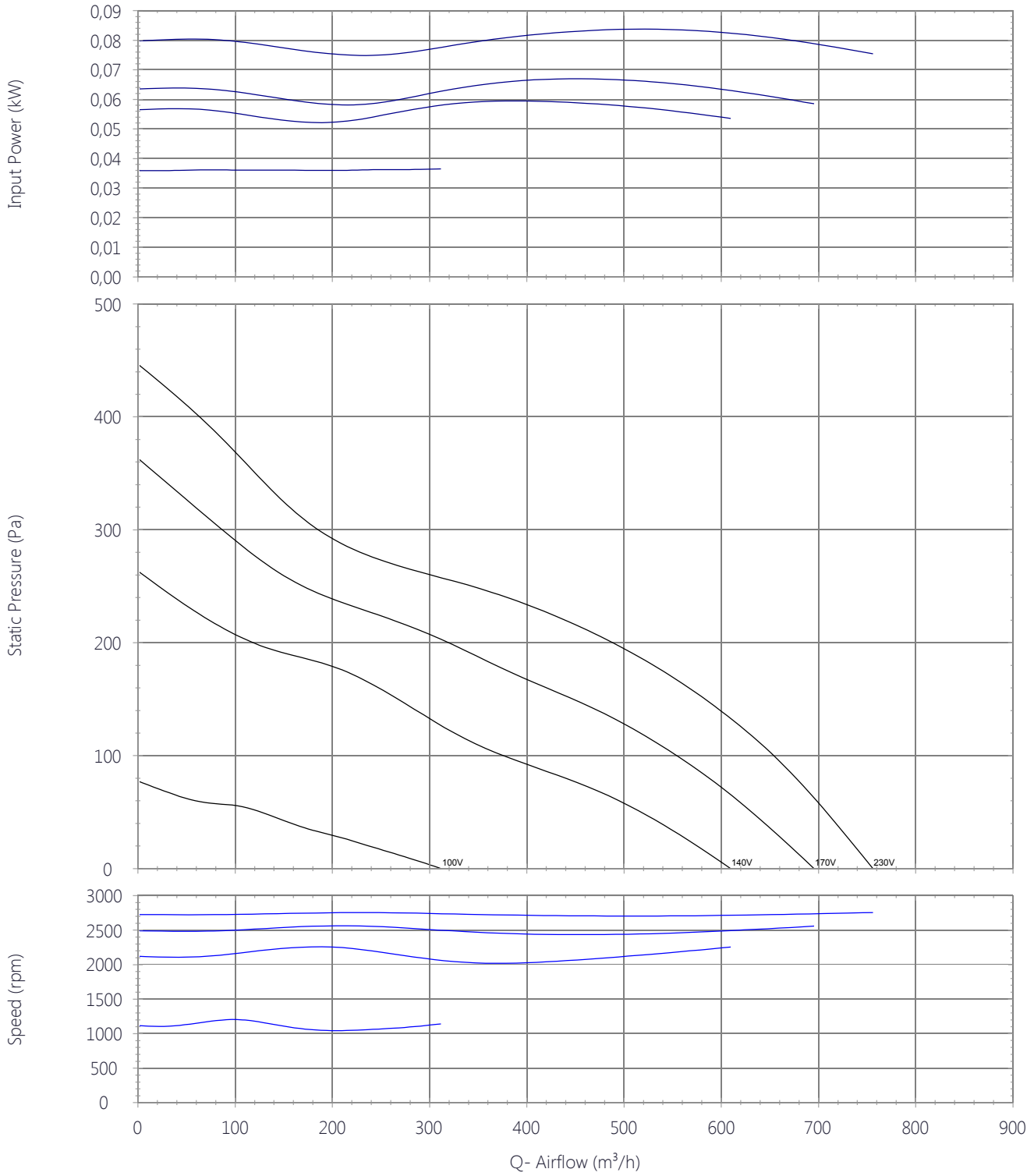
Sound Performance

	63	125	250	500	1k	2k	4k	8k	Overall
Inlet (LwA)	38	49	54	63	60	62	64	52	69
Inlet LpA @ 1m	27	38	43	52	49	51	53	41	58
Outlet (LwA)	39	42	56	63	59	59	60	51	67
Outlet LpA @ 1m	28	31	45	52	48	48	49	40	56
Breakout (LwA)	24	14	23	35	38	40	47	38	49
Breakout LpA @ 1m	13	3	12	24	27	29	36	27	38





Performance Chart

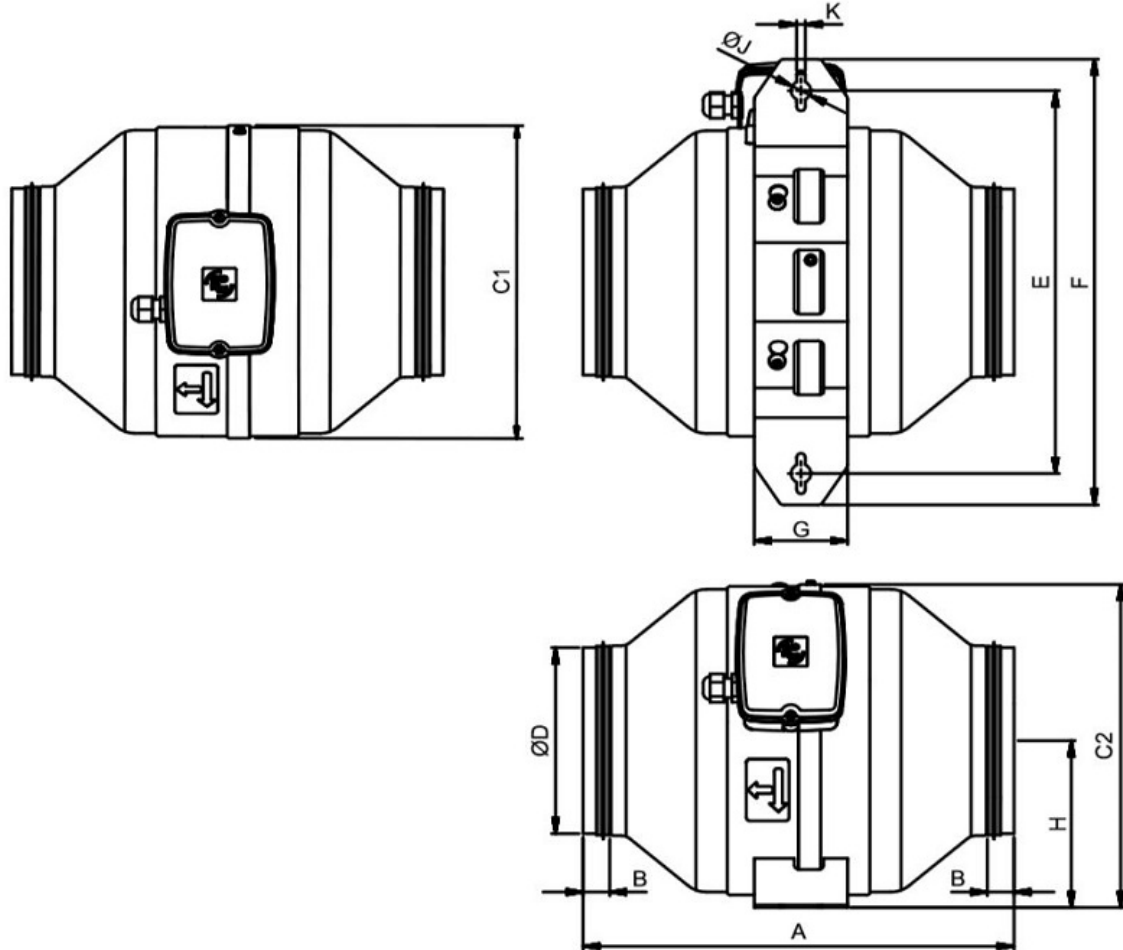




JETLINE

5145895900 - JETLINE-160 (220/240V50/60HZ) N8 - IN LINE DUCT FANS

Drawing



A	B	C1	C2	ØD	E	F	G	H	øJ	K
323	20	243.5	252	155	298.5	348	70	130	15	6.5

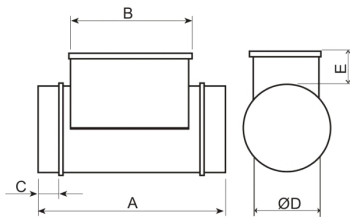
Accessories

5211808600 - MBE-160/07B 1/230V



Electric Heater Battery

Dimensions



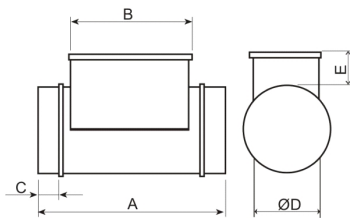
A	B	C	D	E
375	278	42	160	105

5211781600 - MBE-160/07B-R 1/230V



Electric Heater Battery

Dimensions



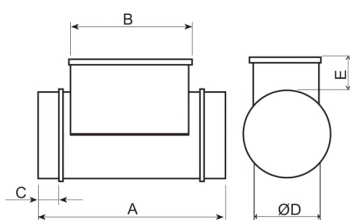
A	B	C	D	E
400	285	50	160	105

5211781700 - MBE-160/14B-R 1/230V



Electric Heater Battery

Dimensions



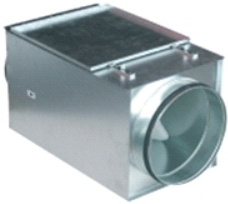
A	B	C	D	E
400	285	50	160	105



JETLINE

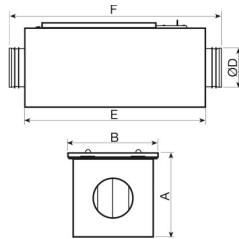
5145895900 - JETLINE-160 (220/240V50/60HZ) N8 - IN LINE DUCT FANS

5416744900 - MFL-160 F



Box in galvanized steel for inserting the MFR F5, F6 and F7 filters. Fitted with inlet and discharge circular duct connection flanges with integrated rubber air seal and an inspection cover easy to open for maintaining the filters.

Dimensions



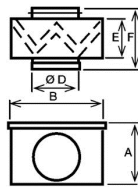
A	B	D	E	F
213	220	160	450	522

5416592300 - MFL-160 G4



MFL filtration boxes are of G4 grade filtration and are designed for direct connection with standard circular ducting. The MFL-G4 filtration boxes are supplied with a cover easily removable to replace the filter.

Dimensions



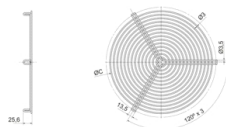
A	B	D	E	d
206	229	160	154	218

5145802400 - DEF-VENT-160



OUTLET WIRE PROTECTION GUARD

Dimensions



NW

160



JETLINE

5145895900 - JETLINE-160 (220/240V50/60HZ) N8 - IN LINE DUCT FANS

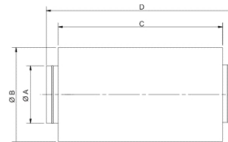
5211810600 - SIL-160

Silencer to be installed either at the inlet or outlet of the fan.



Corrections							
63	125	250	500	1k	2k	4k	8k
-1	-3	-7	-17	-23	-29	-20	-9

Dimensions



A	B	C	D
160	250	600	700

5145821400 - ACOP-VENT-160 (V977504)

FLEXIBLE CONNECTOR





JETLINE

5145895900 - JETLINE-160 (220/240V50/60HZ) N8 - IN LINE DUCT FANS

Sound Performance

	63	125	250	500	1k	2k	4k	8k	Overall
Inlet (LwA)	38	49	54	63	60	62	64	52	69
Inlet LpA @ 1m	27	38	43	52	49	51	53	41	58
Outlet (LwA)	39	42	56	63	59	59	60	51	67
Outlet LpA @ 1m	28	31	45	52	48	48	49	40	56
Breakout (LwA)	24	14	23	35	38	40	47	38	49
Breakout LpA @ 1m	13	3	12	24	27	29	36	27	38



Q=1



ErP Data

Ecodesign	
Commission regulation (EU) N°1253/2014 of July 2014	
Information requirements (Annex V)	
Product description	JETLINE-160 (220/240V50/60HZ) N8
Manufacturer's Info	S&P ES-08150 CIF-B64911928
Identifier	-
Typology	NRVU unidirectional
Drive	VSD
Type of HRC	None
Thermal efficiency (%)	0
Qnom (m3/s)	0,13
Pelec (kW)	0,08
SFPint (W/m3/s)	0
Face velocity (m/s)	3,18
$\Delta p_{s,ext}$ (Pa)	209,9
$\Delta p_{s,int}$ (Pa)	NA
$\Delta p_{s,add}$ (Pa)	NA
Static efficiency fans (%)	32,5
External leakage rate (%)	0,3
Internal leakage rate (%)	NA
Filter performance	NA
Filter warning	NA
LWA dB(A)	44
https://www.solerpalau.com/	