



# JETFLOW SILENT SJMF-S

Inline Mixed Flow Circular Fan

# JETFLOW SILENT SJMF-S

## Product Overview



- 3 standard sizes from 150mm to 250mm
- Air volume flow rates up to 0.442 m<sup>3</sup>/s
- Static pressures up to 343 Pa
- Suitable for operating temperatures up to +60°C
- Acoustic design for low noise levels
- Low Specific Fan Powers
- Available in **EC**

**Inline mixed flow circular fans with EC motors for low power consumption at high performance.**

### Construction

Manufactured with aluminium or cold rolled steel sheet, dependant on size.

### Acoustic Enclosure

For reduced noise levels.

### Motor

Brushless EC motors are fitted as standard. The IPX4 motor contains sealed for life heavy duty NWB bearings. All motors are suitable for use in ambient air conditions up to +60°C.

### Impeller

A high efficiency jet design double mixed flow impeller integrated and directly driven by an EC motor.

### Electrical Connection

Electrical connection via 1.5 metre Mains lead complete with BS1363-1 UK 3-pin plug BS1361 fuse 3A.

### Control

Supplied suitable for fixed speed operation. A Detachable 5 metre lead with 3.5mm jack connection to the unit is supplied for connection to a remote potentiometer, 0-10VDC or PWM Circuit.

### Quality Management

Units are to be designed and manufactured with procedures as defined in BS EN ISO 9001.

### Warranty

Each SJMF-S has a 24 month warranty.

### Typical Applications

- Schools
- Colleges
- Shops
- Retail Parks
- Commercial
- Hotels
- Restaurants
- Cafes
- Cafeterias
- Pubs
- Offices
- General HVAC

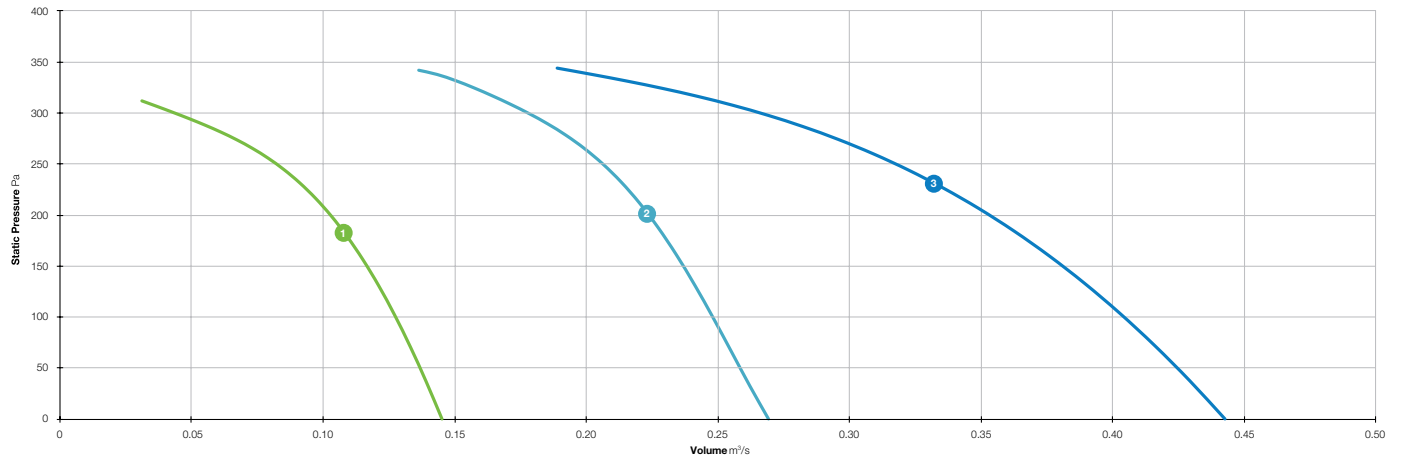
### Contents

Page	Information
3	Performance Range Curves
4	Performance, SFP & Electrical Data
5	Sound Data
6	Dimensional Data
8	Accessories

# JETFLOW SILENT SJMF-S



## Performance Range Curves



- 1 SJMF150-S
- 2 SJMF200-S
- 3 SJMF250-S

# JETFLOW SILENT SJMF-S



## Performance, SFP & Electrical Data

Single Phase 220V to 240V / 50Hz or 60Hz

Product Code	Control Voltage V	Speed r/min	Airflow SFP	Airflow m <sup>3</sup> /s @ Static Pressure Pa									At Best Efficiency Point		Electrical Data	dBA @ 3m	
				0	25	50	75	100	150	200	250	300	Overall Eff %	Input kW	Peak Amps		
SJMF150-S	10	4900	m <sup>3</sup> /s	0.145	0.140	0.136	0.132	0.127	0.116	0.102	0.082	0.043	53.6	0.050	0.39	Inlet	40
			W/(L/s)	0.28	0.30	0.32	0.34	0.37	0.42	0.49	0.60	0.96				Outlet	40
	7.5	4245	m <sup>3</sup> /s	0.123	0.118	0.113	0.107	0.101	0.086	0.058	-	-	45.1	0.032	0.31	Inlet	38
			W/(L/s)	0.21	0.23	0.25	0.27	0.30	0.37	0.51	-	-				Outlet	38
	5	3195	m <sup>3</sup> /s	0.092	0.085	0.077	0.067	0.054	-	-	-	-	45.8	0.015	0.13	Inlet	32
			W/(L/s)	0.14	0.16	0.19	0.23	0.28	-	-	-	-				Outlet	33
			m <sup>3</sup> /s	0.145	0.140	0.136	0.132	0.127	0.116	0.102	0.082	0.043	53.6	0.050	0.39	Breakout	24
			W/(L/s)	0.28	0.30	0.32	0.34	0.37	0.42	0.49	0.60	0.96				Breakout	22
SJMF200-S	10	3730	m <sup>3</sup> /s	0.269	0.263	0.258	0.253	0.248	0.237	0.223	0.206	0.178	67.4	0.099	0.77	Inlet	40
			W/(L/s)	0.26	0.28	0.30	0.32	0.34	0.38	0.42	0.48	0.56				Outlet	42
	7.5	3205	m <sup>3</sup> /s	0.231	0.224	0.216	0.209	0.202	0.187	0.168	-	-	57.0	0.065	0.60	Inlet	38
			W/(L/s)	0.19	0.21	0.23	0.25	0.27	0.32	0.38	-	-				Outlet	40
	5	2495	m <sup>3</sup> /s	0.177	0.168	0.160	0.150	0.138	-	-	-	-	64.9	0.030	0.24	Inlet	33
			W/(L/s)	0.13	0.14	0.16	0.18	0.21	-	-	-	-				Outlet	34
			m <sup>3</sup> /s	0.269	0.263	0.258	0.253	0.248	0.237	0.223	0.206	0.178	67.4	0.099	0.77	Breakout	25
			W/(L/s)	0.26	0.28	0.30	0.32	0.34	0.38	0.42	0.48	0.56				Breakout	23
SJMF250-S	10	3190	m <sup>3</sup> /s	0.442	0.434	0.424	0.414	0.404	0.381	0.353	0.317	0.265	60.9	0.164	1.24	Inlet	44
			W/(L/s)	0.29	0.31	0.33	0.35	0.36	0.41	0.46	0.52	0.61				Outlet	48
	7.5	2700	m <sup>3</sup> /s	0.377	0.366	0.354	0.341	0.326	0.293	0.247	-	-	53.7	0.099	0.95	Inlet	42
			W/(L/s)	0.21	0.23	0.25	0.27	0.29	0.34	0.40	-	-				Outlet	44
	5	2000	m <sup>3</sup> /s	0.279	0.264	0.246	0.225	0.196	-	-	-	-	59.7	0.043	0.34	Inlet	36
			W/(L/s)	0.13	0.14	0.16	0.19	0.22	-	-	-	-				Outlet	36
			m <sup>3</sup> /s	0.442	0.434	0.424	0.414	0.404	0.381	0.353	0.317	0.265	60.9	0.164	1.24	Breakout	29
			W/(L/s)	0.29	0.31	0.33	0.35	0.36	0.41	0.46	0.52	0.61				Breakout	26
			m <sup>3</sup> /s	0.279	0.264	0.246	0.225	0.196	-	-	-	-	59.7	0.043	0.34	Inlet	36
			W/(L/s)	0.13	0.14	0.16	0.19	0.22	-	-	-	-				Outlet	36
			m <sup>3</sup> /s	0.279	0.264	0.246	0.225	0.196	-	-	-	-	59.7	0.043	0.34	Breakout	21
			W/(L/s)	0.13	0.14	0.16	0.19	0.22	-	-	-	-				Breakout	21

Data provided is at standard air density of 1.2 kg/m<sup>3</sup>.

ERP data in accordance with Regulation (EU) 1253/2014. Product category is NRVU. Measurement category used to determine energy efficiency: D.

A variable speed drive is integrated within the fan.

Peak Amps @ 230V / 1PH / 50Hz.

The overall A-weighted sound pressure level is at a distance of 3m with spherical free-field propagation. It is expressed in dB re-20μPa and is presented for comparative purposes only.

Breakout levels are calculated from the tested inlet and outlet sound power levels using the ASHRAE breakout sound transmission calculation procedure.

Suitable for operation from 2V control signal. For performance, refer to our selection software.

# JETFLOW SILENT SJMF-S



## Sound Data

Single Phase 220V to 240V / 50Hz or 60Hz

Product Code	Control Voltage V	Speed r/min		Sound Power Level dBW @ Octave Band Hz								Total dB
				63Hz	125Hz	250Hz	500Hz	1kHz	2kHz	4kHz	8kHz	
SJMF150-S	10	4900	Inlet	43	47	51	56	50	51	54	55	61
			Outlet	49	49	54	59	53	51	50	53	63
			Breakout	20	14	17	25	27	36	38	43	45
	7.5	4245	Inlet	45	45	48	52	47	48	50	53	60
			Outlet	49	47	51	57	50	48	46	52	61
			Breakout	21	11	14	23	24	32	34	41	43
	5	3195	Inlet	40	40	45	46	41	43	43	51	54
			Outlet	49	42	49	52	44	42	40	51	57
			Breakout	20	7	11	18	18	27	27	40	40
SJMF200-S	10	3730	Inlet	54	52	54	57	48	52	56	52	63
			Outlet	52	55	56	62	51	53	54	52	65
			Breakout	27	20	20	29	26	38	41	41	45
	7.5	3205	Inlet	48	50	52	52	45	49	52	51	61
			Outlet	47	52	55	58	47	50	49	51	63
			Breakout	21	17	18	24	22	34	36	40	43
	5	2495	Inlet	48	48	50	45	40	45	44	51	57
			Outlet	47	49	54	51	41	45	41	51	58
			Breakout	21	14	17	17	17	30	28	40	41
SJMF250-S	10	3190	Inlet	66	59	61	63	55	56	58	54	70
			Outlet	66	61	63	69	56	57	58	57	72
			Breakout	40	26	27	36	33	42	44	45	50
	7.5	2700	Inlet	52	57	61	59	51	52	54	52	67
			Outlet	54	58	63	61	51	53	54	53	68
			Breakout	27	24	27	30	28	38	40	42	47
	5	2000	Inlet	49	52	58	52	45	48	46	51	61
			Outlet	52	54	58	55	43	47	45	51	62
			Breakout	25	19	23	23	21	33	32	41	42

Data provided at standard air density of 1.2 kg/m<sup>3</sup>.

Tests and preparation of the sound data have been carried out in accordance with BS 848 Part 2:1985 at 50% peak pressure.

The Sound Power Level Spectra are in dB re-1pW.

Breakout levels are calculated from the tested inlet and outlet sound power levels using the ASHRAE breakout sound transmission calculation procedure.

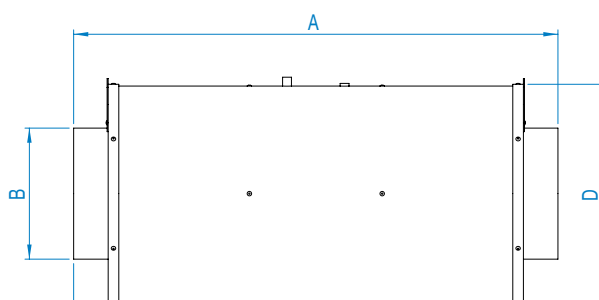
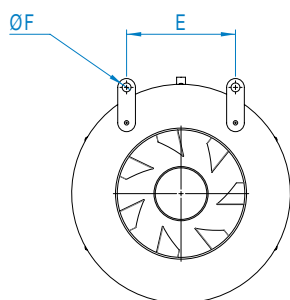
# JETFLOW SILENT SJMF-S



## Dimensional Data

### Single Phase

Product Code	A	B	C	D	E	F	Weight kg
<a href="#">SJMF150-S</a>	547	148	39	243	123	10	5
<a href="#">SJMF200-S</a>	699	198	40	304	174	10	8
<a href="#">SJMF250-S</a>	859	248	45	353	221	10	14



Dimensions are in mm.

# JETFLOW SILENT SJMF-S



## Accessories

### Single Phase

Product Code	EC Electronic Controller	Fast Clamps (each)	Damper	Panel Filter	Electric Heater Battery	Wiring Diagram
<a href="#">SJMF150-S</a>	149-POT-10-MI	018-150-CLAMP	018-150-DAMPER	018-0150-FILT-P	018-CV15-27-1M	152-553
<a href="#">SJMF200-S</a>	149-POT-10-MI	018-200-CLAMP	018-200-DAMPER	018-0200-FILT-P	018-CV20-30-1M	152-553
<a href="#">SJMF250-S</a>	149-POT-10-MI	018-250-CLAMP	018-250-DAMPER	018-0250-FILT-P	018-CV25-30-1M	152-553

# EC ELECTRONIC CONTROLLER

## Accessories

- EC Type fans
- Variable Speed Drives (Inverters)



**Product  
Code**

**149-POT-10-MI\***

\*-MI: Minimum speed adjustable by internal preset



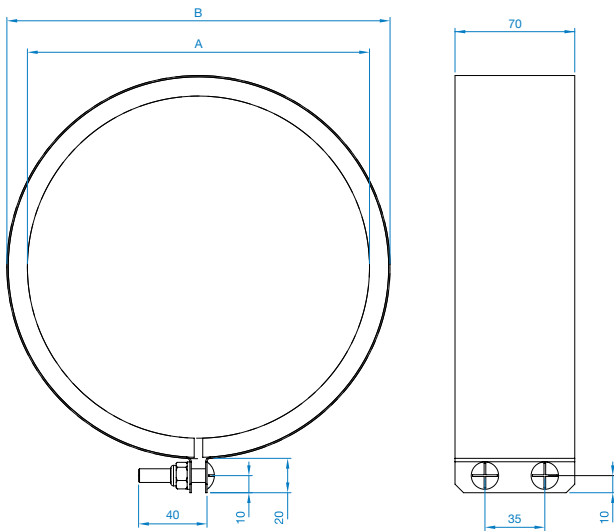
# FAST CLAMPS

## Accessories

- For quick connection of spigotted fans to circular duct or accessories
- Galvanised steel circular duct clamp with foam lining



Product Code	Fan Size	A Dia.	B Dia.	Weight kg
018-150-CLAMP	150	150	174	0.33
018-200-CLAMP	200	200	224	0.42
018-250-CLAMP	250	250	274	0.49



Dimensions are in mm.

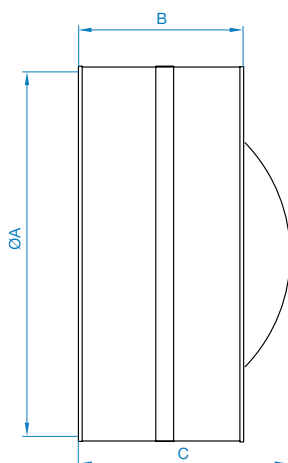
# DAMPER

## Accessories

- Prevents reverse flow of air when fan is not operating
- Galvanised sheet steel case
- Spring operated aluminium sheet blades



Product Code	Fan Dia. A	B	C	Weight kg
<b>018-150-DAMPER</b>	150	90	110	0.3
<b>018-200-DAMPER</b>	200	125	150	0.6
<b>018-250-DAMPER</b>	250	125	190	0.6

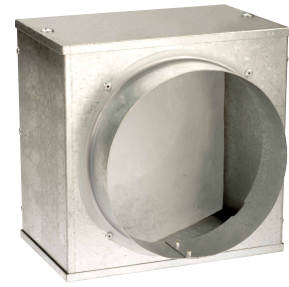


Dimensions are in mm.

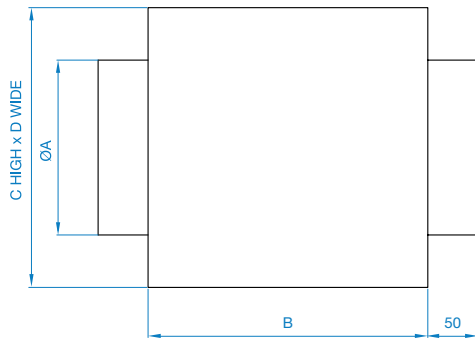
# PANEL FILTER

## Accessories

- Galvanised steel casing
- Filter media to ISO 16890 Coarse ePM10 < 50%
- Filter access with removable panel



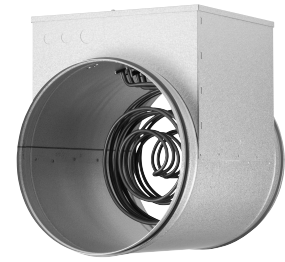
Product Code	Fan Dia. A	B	C	D	Weight kg
018-0150-FILT-P	150	155	250	250	2
018-0200-FILT-P	200	155	250	250	2
018-0250-FILT-P	250	200	300	300	3



Dimensions are in mm.

# ELECTRIC HEATER BATTERY

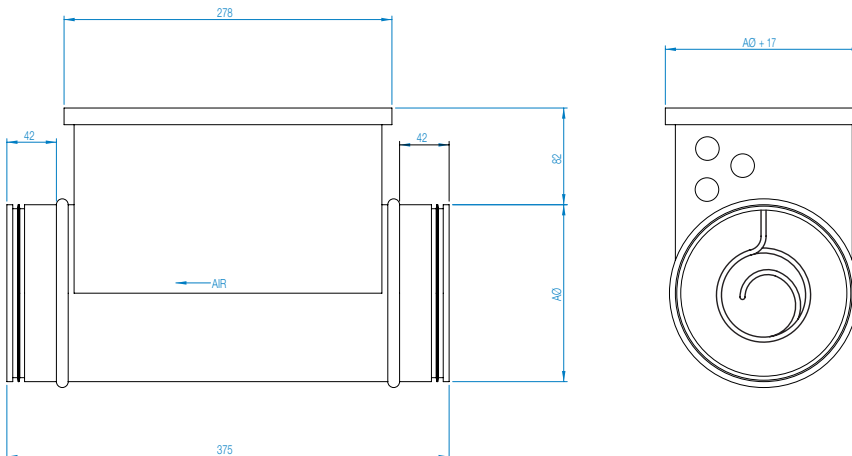
## Accessories



### Type

CV – (E/M) duct heater with casing of Aluzinc-coated sheet steel and stainless steel heater element to EN 1.4301. The duct heaters conform to air tightness class C to EN 15727. Control takes place by an external regulator and sensor that must be ordered separately.

Product Code	kW	Phase	Airflow @ m <sup>3</sup> /s		A	Weight kg
			Min	Max		
<a href="#">018-CV15-27-1M</a>	2.7	1	0.031	0.208	150	4.2
<a href="#">018-CV20-30-1M</a>	3.0	1	0.047	0.231	200	5.9
<a href="#">018-CV25-30-1M</a>	3.0	1	0.075	0.231	250	7.8



Dimensions are in mm.

## Building Services

Tel **+44 (0) 1384 275800**  
Fax **+44 (0) 1384 275810**  
Email **info@eltafans.co.uk**

46 Third Avenue, Pensnett Trading Estate, Kingswinford,  
West Midlands, DY6 7US United Kingdom

## Applied Technology & Building Services Export

Tel **+44 (0) 1489 566500**  
Fax **+44 (0) 1489 566555**  
Email **at@eltafans.co.uk / export@eltafans.co.uk**

17 Barnes Wallis Road, Segensworth East Industrial Estate,  
Fareham, Hampshire, PO15 5ST United Kingdom

**eltafans.com**

SJMF-09-2021 Issue B



BS EN ISO 9001:2015 FM 556465

