

**LINEO QUIET RANGE**  
IN-LINE MIXED FLOW FANS

**NEW**

**TECHNICAL AND PERFORMANCE DATA - LINEO QUIET\***

Models	Code	V~50/60 HZ	W min/med/ max	A min/med/ max	RPM min/med/ max	Max Airflow		Max Pressure		grade**	Max °C	KG
						m³/h	l/s	mmH <sub>2</sub> O	Pa			
						min/med/max	min/med/max	min/med/max	min/med/max			
LINEO 100 QUIET	17160	220-240	11	0.09	1455	150	41.7	9	88.3	IP45	45	3,8
LINEO 100 T QUIET	17190		24	0.11	1880	200	55.6	11.5	112.8			
LINEO 125 QUIET	17161	220-240	11	0.09	1125	190	52.8	8	78.5	IP45	45	3,6
LINEO 125 T QUIET	17191		24	0.11	1475	250	69.4	10	98.1			
LINEO 150 QUIET	17162	220-240	24	0.14	1040	255	70.8	10.5	103	IP45	55	5,4
LINEO 150 T QUIET	17192		37	0.17	1430	350	97.2	15.5	152			
LINEO 160 QUIET	17163	220-240	24	0.14	1040	255	70.8	10.5	103	IP45	55	5,2
LINEO 160 T QUIET	17193		37	0.17	1430	350	97.2	15.5	152			
LINEO 200 QUIET	17164	220-240	50	0.34	1880	805	223.6	20.6	202	IPX5	50	8,6
LINEO 200 T QUIET	17194		80	0.42	2380	1045	290.3	26.3	257.9			
LINEO 250 QUIET	17165	220-240	95	0.42	1640	960	266.7	20.2	198.1	IPX5	50	13,4
			125	0.55	2320	1340	372.2	30.3	297.2			
LINEO 315 QUIET	17166	220-240	150	0.65	2750	1550	430.6	34.6	339.3	IPX5	50	28,3
			215	0.95	1930	2070	575	30.6	300.1			
			270	1.15	2360	2530	702.8	43.3	424.6			
			360	1.55	2705	2890	802.8	53.6	525.7			

\* all data referred to supply at 50 Hz

\*\* protection grade referred to ducted units

**SOUND LEVELS - LINEO QUIET**

Models	Code	SOUND POWER Lw dB (A)								
		INTAKE			SUPPLY			BREAKOUT		
		min	med.	max	min	med.	max	min	med.	max
LINEO 100 QUIET	17160									
LINEO 100 T QUIET	17190	62.2	70.5	74.6	62.3	68.7	74.4	36.2	41.8	46.6
LINEO 125 QUIET	17161									
LINEO 125 T QUIET	17191	60.1	64.2	70.4	60.5	64.2	70.9	36.2	41.8	45.5
LINEO 150 QUIET	17162									
LINEO 150 T QUIET	17192	60.3	68.2	77.3	62.1	67.7	76	38.2	43.4	51.2
LINEO 160 QUIET	17163									
LINEO 160 T QUIET	17193	60.3	68.2	77.3	62.1	67.7	76	38.2	43.4	51.2
LINEO 200 QUIET	17164									
LINEO 200 T QUIET	17194	76.9	83.3	86.4	75.1	81.5	85	51.6	57.4	60.7
LINEO 250 QUIET	17165	76.3	83.6	85.1	75	83.4	87.4	49.5	57	60.7
LINEO 315 QUIET	17166	82.8	87	91.7	82.8	87	89.8	58.8	62.9	65.9

Models	Code	SOUND PRESSURE LP dB(A)*								
		INTAKE			SUPPLY			BREAKOUT		
		min	med.	max	min	med.	max	min	med.	max
LINEO 100 QUIET	17160									
LINEO 100 T QUIET	17190	44.6	52.9	57.1	44.8	51.2	56.9	15.7	21.3	26.1
LINEO 125 QUIET	17161									
LINEO 125 T QUIET	17191	42.6	46.7	52.9	43	46.6	53.4	15.6	21.1	25
LINEO 150 QUIET	17162									
LINEO 150 T QUIET	17192	42.8	50.7	59.7	44.5	50.1	58.5	17.6	22.9	30.7
LINEO 160 QUIET	17163									
LINEO 160 T QUIET	17193	42.8	50.7	59.7	44.5	50.1	58.5	17.6	22.9	30.7
LINEO 200 QUIET	17164									
LINEO 200 T QUIET	17194	59.3	65.8	68.8	57.6	64	67.5	31	36.9	40.2
LINEO 250 QUIET	17165	58.8	67.6	71.5	57.5	65.9	69.9	29	36.5	40.1
LINEO 315 QUIET	17166	66.8	71	74.2	65.3	69.5	72.3	38.3	42.4	45.4

\* calculated in free field conditions at 3 m distance



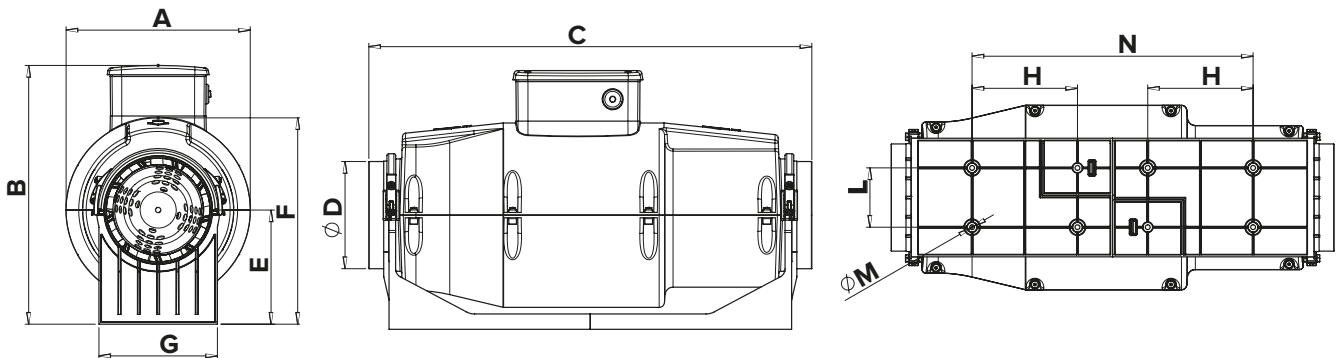


### DIMENSIONS - LINEO QUIET

Models	Code	A	B	C	Ø D	E	F	G	H	L	Ø M	N	VERSION
LINEO 100 QUIET	17160	210	294.5	639	97	130	235	135	120	67.5	5.5	320	A
LINEO 100 T QUIET	17190												
LINEO 125 QUIET	17161	210	294.6	504.5	122	130	235	135	120	67.5	5.5	320	A
LINEO 125 T QUIET	17191												
LINEO 150 QUIET	17162	232	320.5	685	147	145	261.5	170	132	85	5.5	360	A
LINEO 150 T QUIET	17192												
LINEO 160 QUIET	17163	232	320.5	570	156.5	145	261.5	170	135	85	5.5	360	A
LINEO 160 T QUIET	17193												
LINEO 200 QUIET	17164	322.5	417.5	625.5	194.5	195	363.5	190	120	155	5.5	510	B
LINEO 200 T QUIET	17194												
LINEO 250 QUIET	17165	318	412	751.5	243	189.5	363.5	200	70	170	6.5	604.5	B
LINEO 315 QUIET	17166												

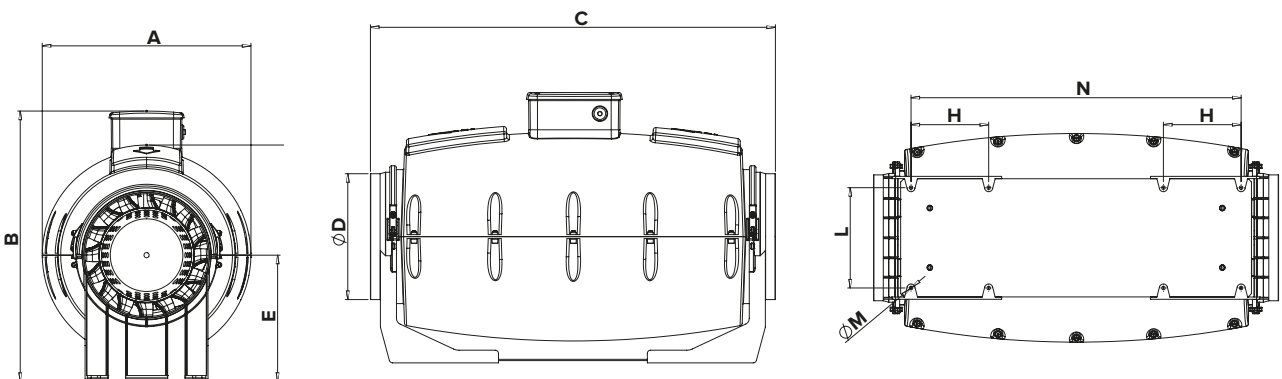
### VERSION A

LINEO 100 QUIET - LINEO 100 T QUIET - LINEO 125 QUIET - LINEO 125 T QUIET  
LINEO 150 QUIET - LINEO 150 T QUIET - LINEO 160 QUIET - LINEO 160 T QUIET



### VERSION B

LINEO 200 QUIET - LINEO 200 T QUIET - LINEO 250 QUIET - LINEO 315 QUIET



# LINEO QUIET ES RANGE

## IN-LINE MIXED FLOW FANS

NEW

### PERFORMANCE AND ABSORPTION CURVES - LINEO QUIET

