

# MMP

series

**169** m<sup>3</sup>/h



Glass & metal  
grilles

The MMP Series axial fans are suitable for a wide range of domestic applications including bathrooms, shower rooms, toilets, cloakrooms, including zones 1 & 2. Also suitable for small to medium living, administrative or commercial premises.

All our MMP series are fitted with noiseless high efficiency double insulated motors, which are totally maintenance free and sealed for life.

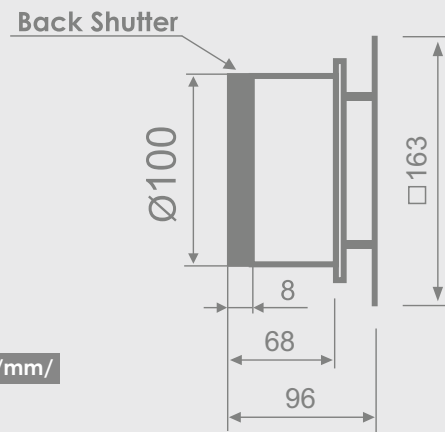
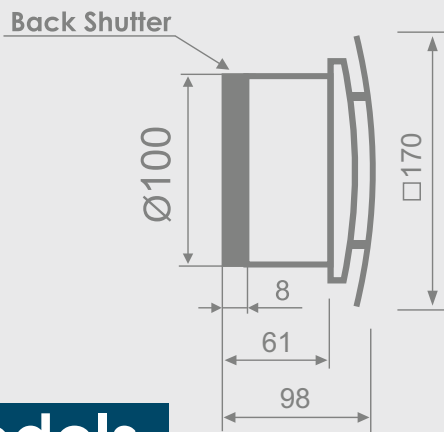
The embedded **Long Life** double capsulated ball bearings guarantee smooth running for over **30 000 hours** of continuous operation.



**NSK Japan**

**LONG life 30 000h**

MMP	Hz/V	min <sup>-1</sup>	m <sup>3</sup> /h	W	Pa	dB
100	50/220~240	2750	169	18	47	32
100 UE	50/220~240	2020	100	5,5	52	23



Dimensions /mm/

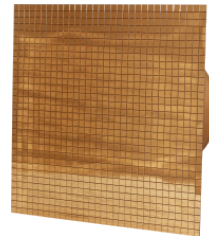
## Models



Black sheen - Glass



Inox - Glass



Gold - Metal



Black and silver - Glass



Asphalt - Glass



Ecrux - Glass



White and Gold - Glass



Mosaic beige - Glass



Black matt - Glass



White & silver - Glass



White ellipse - Glass



White - Glass



[www.mmotors.bg](http://www.mmotors.bg)