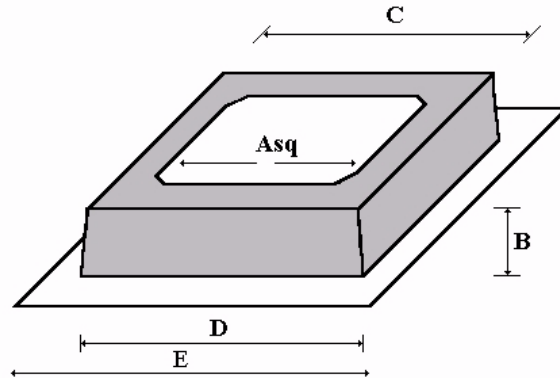


**WEATHERFORM Ltd: GRP ROOF MOUNTED SUPPORT BOX / KERB  
(Purlin Box)**



Designed specifically to provide load bearing support for roof mounted units, Grp support boxes may be installed in both pitched, or flat roof applications.

Manufactured in white glass reinforced plastic with a smooth internal surface, the support boxes are lightweight, corrosion resistant and thermally efficient. In profiled roof installations the units provide an effective closure trim to cut edges around the aperture.

UNIT REF	'A' Top aperture *	'B' Height	'C' External	'D' Base aperture	'E' o/all base
<b>PB 200/250</b>	<b>300</b>	<b>225</b>	<b>425</b>	<b>480</b>	<b>580</b>
<b>PB 300 / 315</b>	<b>350</b>	<b>220</b>	<b>445</b>	<b>515</b>	<b>615</b>
<b>PB 350</b>	<b>400</b>	<b>240</b>	<b>625</b>	<b>680</b>	<b>780</b>
<b>PB 400 / 450</b>	<b>510</b>	<b>240</b>	<b>730</b>	<b>780</b>	<b>880</b>
<b>PB 500 / 560</b>	<b>620</b>	<b>250</b>	<b>865</b>	<b>910</b>	<b>1050</b>
<b>PB 630 / 710</b>	<b>780</b>	<b>260</b>	<b>900</b>	<b>950</b>	<b>1080</b>
<b>PB 800</b>	<b>910</b>	<b>280</b>	<b>1090</b>	<b>1150</b>	<b>1270</b>
<b>PB1000</b>	<b>1140</b>	<b>285</b>	<b>1345</b>	<b>1390</b>	<b>1510</b>

\* Aperture variable to suit Customer requirements.

Purlin adapter box thickness varies between nominal 2mm to 6mm depending on unit size.

Grp support boxes are compatible with conventional bitumen based or single ply flat roofing systems. Installation must be fully supported to local building regulation standards ie; above supported roof \ deck aperture or beneath roof \ deck, directly mounted on support trimmers.

Units supplied loose bubble wrapped.

©Weatherform Ltd 2007