

## INSTALLATION AND OPERATING INSTRUCTIONS FOR MOTOR REVERSING SWITCH RS1

Model no.	Electrical Supply	Rating	Dimensions (H x W x D)	Mounting
RS1	230v 1Ph 50hz 400V 3Ph 50Hz	15 Amps max	100mm x 80mm x 120mm	SURFACE MOUNTING

### INSTALLATION

1. Check that the reversing switch supplied is compatible with fan motor.
2. Install in a dry sheltered position. Do not install in close proximity to a heat source.
3. Remove the front cover of the reversing switch by unscrewing the fascia fixing screws. This provides access to mounting holes and electrical terminals.

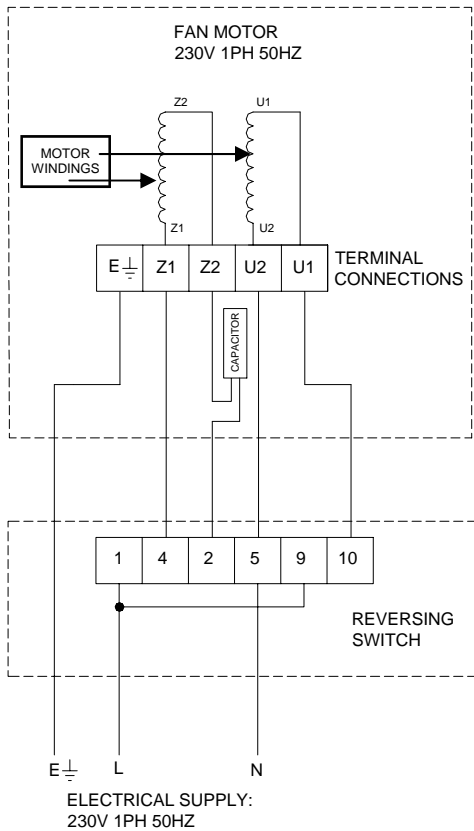
All wiring must be carried out by a suitably qualified and competent person and comply with current applicable regulations

### OPERATION

Fan rotation is selected using the 3 position selector switch (FWD/OFF/REV)

### WIRING DIAGRAMS (IF IN DOUBT CONSULT FAN MANUFACTURER)

230v 1Ph 50Hz fan motors



400v 3Ph 50Hz fan motors

