

RAPTOR SDA

ELTA

Case Mounted Axial Flow Fan

>> **Select** models available for next day delivery



RAPTOR SDA

Product Overview

- 8 standard sizes from 250mm to 630mm
- Air volume flow rates up to 4.60 m³/s
- Static pressures up to 290 Pa
- Suitable for operating temperatures up to +70°C
- Available in **AC** & **EC**



The Raptor SDA is a short cased mounted axial fan and is normally mounted in ductwork applications. It incorporates the Ziehl-Abegg FE2owlet aerofoil profiled impeller. Both strong and durable, this range also boasts low noise and increased efficiency levels.

Easy Installation

A fitted IP55 terminal box allows the fan to be positioned conveniently to incoming electrical inputs.

Efficient Performance

Aerofoil section, sickle shaped blades, with serrated trailing edges and winglets based on bionic insights.

Corrosion resistance

Specially treated against corrosion, powder coated with polyester epoxy paint in Telegrey 1 (RAL 7045).

Controllability

A range of transformer voltage controllers used to provide five speed step control of single phase or three phase motors.

Energy saving

Extremely energy efficient as a result of EC technology, easy to commission, built in motor protection and compact in design to reduce casing sizes. AC external rotor motor variants also available.

Warranty

Each SDA has a 12 month warranty.

Construction

Constructed from mild steel and suitably treated to ensure full corrosion protection. The guard is powder coated polyester epoxy paint finish in black (RAL9005). Fan casings are powder coated polyester epoxy paint finish in Telegrey 1 (RAL 7045).

Motor

Motors are highly efficient, lightweight external rotor motors, insulated to Class F, with integral thermal overload protection. Sizes 250-350 weatherproofed to IP44. Sizes 400-630 weatherproofed to IP54. All fans are suitable for use with a speed controller.

Impeller

The Ziehl-Abegg FE2owlet impeller has a unique serrated trailing edge which provides optimised flow and improved acoustics. The Aerofoil blades, complete with winglets, enable increased impeller efficiency.

Typical Applications

- Sports Halls
- Squash Courts
- Schools & Colleges
- Shops
- Retail Parks
- Commercial
- Kitchens
- Factories
- Industrial Units
- Warehousing

Contents

Page	Information	Load
3	Performance Range Curves	
4	Performance, SFP & Electrical Data	AC
6	Performance, SFP & Electrical Data	EC
8	Sound Data	AC
10	Sound Data	EC
12	Dimensional Data	
13	Accessories	AC
15	Accessories	EC
30	Notes	

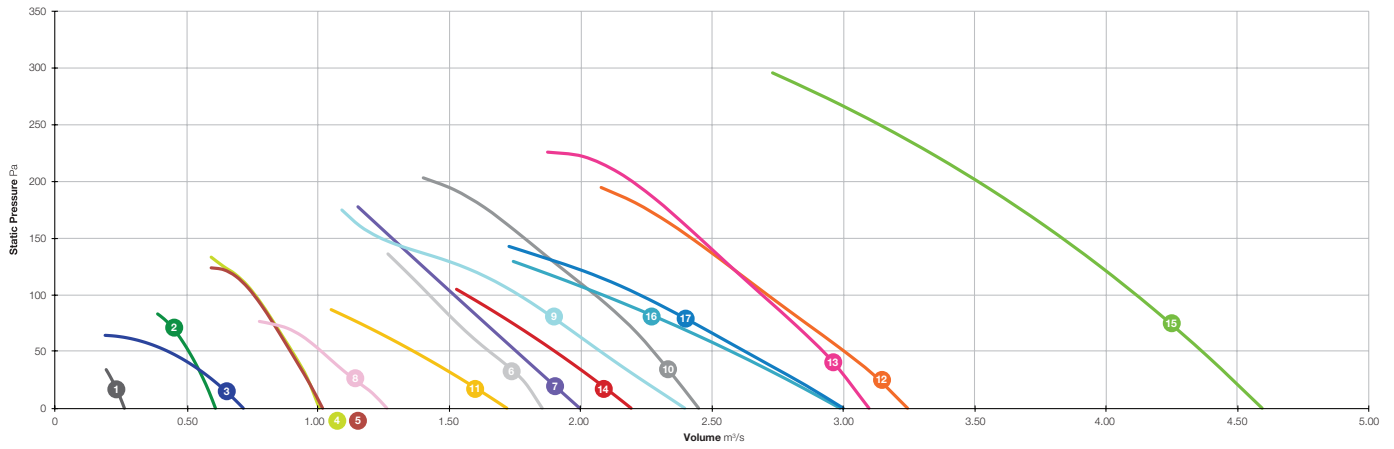
Product Coding

Code	Reference
SDA	Product Range
250	Diameter (250/350/400...)
/	
4	Number of Poles (2/4/6)
-	
1	Voltage Supply (Single Phase / Three Phase)
AC	Motor Type (AC/EC)
A - Z	Additional Coding (A - Z) Product Variants
e.g.	SDA250 / 4-1AC

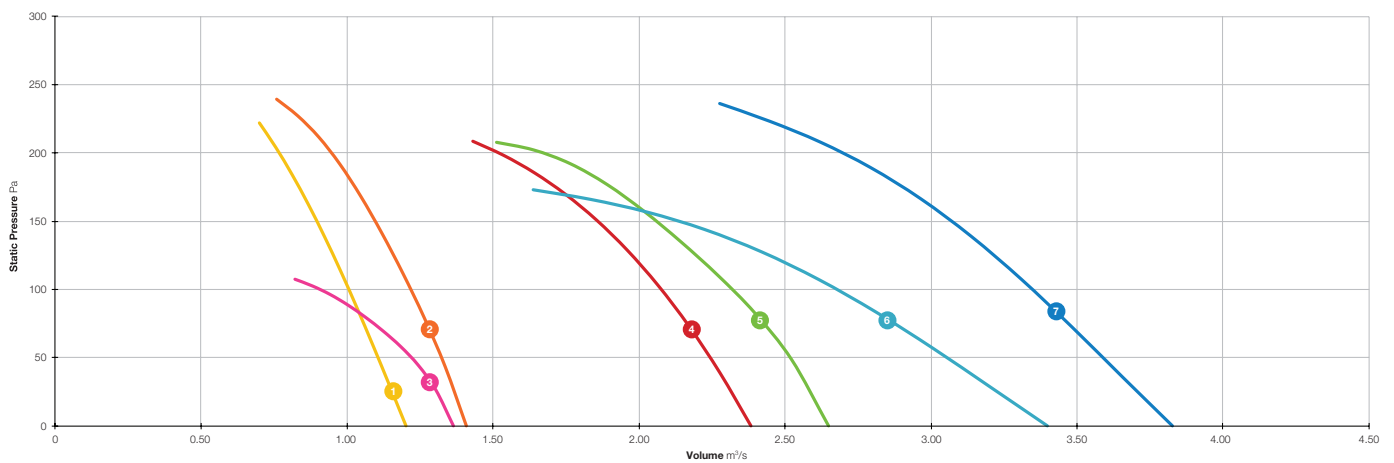
RAPTOR SDA



Performance Range Curves



- | | | |
|-----------------------|------------------------|------------------------|
| 1 SDA250 / 4-1AC | 7 SDA450 / 4 / 6-3AC* | 13 SDA560 / 4 / 6-3AC* |
| 2 SDA315 / 4-1AC | 8 SDA450 / 6-1AC | 14 SDA560 / 6-1AC |
| 3 SDA350 / 4-1AC | 9 SDA500 / 4-1AC | 15 SDA630 / 4 / 6-3AC* |
| 4 SDA400 / 4-1AC | 10 SDA500 / 4 / 6-3AC* | 16 SDA630 / 6-1AC |
| 5 SDA400 / 4 / 6-3AC* | 11 SDA500 / 6-1AC | 17 SDA630 / 6 / 8-3AC* |
| 6 SDA450 / 4-1AC | 12 SDA560 / 4-1AC | |



- | | | |
|------------------|------------------|------------------|
| 1 SDA350 / 4-1EC | 4 SDA500 / 4-1EC | 6 SDA630 / 4-1EC |
| 2 SDA400 / 4-1EC | 5 SDA500 / 4-3EC | 7 SDA630 / 4-3EC |
| 3 SDA450 / 4-1EC | | |

*For low speed data refer to performance tables.

RAPTOR SDA



Performance, SFP & Electrical Data

Single Phase 220V to 240V / 50Hz

Product Code	Speed r/min	Airflow SFP	Airflow m ³ /s @ Static Pressure Pa						At Best Efficiency Point			Electrical Data	dBA @ 3m	
			0	25	50	75	100	150	Overall Eff %	FMEG N	Input kW	Peak Amps		
SDA250/4-1AC	1374	m ³ /s	0.260	0.213	-	-	-	-	-	<125W	0.046	0.24	Inlet	39
		W/(L/s)	0.14	0.22	-	-	-	-					Outlet	40
SDA315/4-1AC	1320	m ³ /s	0.607	0.563	0.507	0.431	-	-	22.4	<125W	0.110	0.50	Inlet	46
		W/(L/s)	0.21	0.23	0.26	0.30	-	-					Outlet	46
SDA350/4-1AC	1075	m ³ /s	0.714	0.597	0.429	-	-	-	24.0	<125W	0.119	0.54	Inlet	45
		W/(L/s)	0.16	0.20	0.28	-	-	-					Outlet	45
SDA400/4-1AC	1359	m ³ /s	1.003	0.960	0.899	0.831	0.757	-	31.1	41	0.234	1.04	Inlet	49
		W/(L/s)	0.19	0.21	0.24	0.27	0.31	-					Outlet	49
SDA450/4-1AC	1302	m ³ /s	1.854	1.779	1.652	1.529	1.422	-	34.0	42	0.545	2.45	Inlet	50
		W/(L/s)	0.28	0.29	0.31	0.34	0.37	-					Outlet	49
SDA450/6-1AC	915	m ³ /s	1.260	1.138	1.011	0.800	-	-	30.0	41	0.189	0.89	Inlet	42
		W/(L/s)	0.14	0.16	0.19	0.23	-	-					Outlet	41
SDA500/4-1AC	1250	m ³ /s	2.396	2.232	2.076	1.926	1.765	1.241	32.9	40	0.719	3.18	Inlet	51
		W/(L/s)	0.29	0.31	0.34	0.37	0.41	0.57					Outlet	51
SDA500/6-1AC	910	m ³ /s	1.719	1.549	1.363	1.155	-	-	30.4	41	0.289	1.25	Inlet	46
		W/(L/s)	0.15	0.17	0.20	0.24	-	-					Outlet	46
SDA560/4-1AC	1341	m ³ /s	3.244	3.137	3.004	2.857	2.710	2.420	35.8	42	1.150	5.13	Inlet	63
		W/(L/s)	0.32	0.34	0.37	0.40	0.42	0.48					Outlet	63
SDA560/6-1AC	924	m ³ /s	2.192	2.052	1.902	1.738	1.561	-	33.0	42	0.390	2.18	Inlet	52
		W/(L/s)	0.19	0.21	0.24	0.27	0.30	-					Outlet	52
SDA630/6-1AC	872	m ³ /s	2.985	2.786	2.572	2.339	2.081	-	32.2	40	0.660	2.82	Inlet	49
		W/(L/s)	0.18	0.20	0.23	0.26	0.30	-					Outlet	50

Data provided is at standard air density of 1.2 kg/m³.

Data in accordance with ErP 327/2011 of the European Parliament. Measurement category used to determine energy efficiency: A.

Peak Amps @ 230V / 1PH / 50Hz.

The overall A-weighted sound pressure level is at a distance of 3m with spherical free-field propagation. It is expressed in dB re-20µPa and is presented for comparative purposes only.

RAPTOR SDA



Performance, SFP & Electrical Data

Three Phase 380V to 415V / 50Hz

Product Code	Speed r/min	Airflow SFP	Airflow m³/s @ Static Pressure Pa								At Best Efficiency Point			Electrical Data		dBA @ 3m		
			0	25	50	75	100	150	200	250	Overall Eff %	FMEG N	Input kW	Peak Amps	Δ / Y			
SDA400/4/6-3AC	1387	m³/s	1.018	0.960	0.895	0.829	0.755	-	-	-	32.4	41	0.227	0.44	Δ	Inlet	49	
		W/(L/s)	0.16	0.19	0.22	0.25	0.28	-	-	-						Outlet	50	
	1156	m³/s	0.874	0.809	0.717	0.600	-	-	-	-	-		-	0.165	0.28	Y	Inlet	46
		W/(L/s)	0.15	0.18	0.22	0.28	-	-	-	-	Outlet						46	
SDA450/4/6-3AC	1377	m³/s	1.995	1.875	1.755	1.636	1.517	1.282	-	-	34.0	42	0.538	1.07	Δ	Inlet	50	
		W/(L/s)	0.25	0.27	0.29	0.32	0.35	0.41	-	-						Outlet	49	
	1111	m³/s	1.587	1.428	1.276	1.127	0.975	-	-	-	-		0.381	0.68	Y	Inlet	45	
		W/(L/s)	0.24	0.27	0.31	0.35	0.40	-	-	-						Outlet	45	
SDA500/4/6-3AC	1339	m³/s	2.448	2.363	2.277	2.177	2.054	1.785	1.440	-	34.2	41	0.764	1.37	Δ	Inlet	53	
		W/(L/s)	0.27	0.29	0.31	0.33	0.36	0.42	0.50	-						Outlet	53	
	1075	m³/s	1.935	1.772	1.597	1.403	1.185	-	-	-	-		0.476	0.89	Y	Inlet	48	
		W/(L/s)	0.27	0.28	0.32	0.37	0.43	-	-	-						Outlet	48	
SDA560/4/6-3AC	1295	m³/s	3.098	3.020	2.924	2.811	2.691	2.453	2.196	-	33.7	40	1.169	2.52	Δ	Inlet	57	
		W/(L/s)	0.32	0.34	0.36	0.39	0.42	0.49	0.55	-						Outlet	57	
	916	m³/s	2.348	2.152	1.939	1.733	1.511	-	-	-	-		0.654	1.27	Y	Inlet	51	
		W/(L/s)	0.25	0.29	0.33	0.38	0.43	-	-	-						Outlet	51	
SDA630/4/6-3AC	1342	m³/s	4.593	4.482	4.360	4.244	4.115	3.834	3.514	3.141	40.7	46	1.812	3.38	Δ	Inlet	67	
		W/(L/s)	0.36	0.38	0.40	0.42	0.44	0.50	0.55	0.62						Outlet	67	
	1068	m³/s	3.816	3.620	3.430	3.226	3.014	2.562	-	-	-		1.324	2.17	Y	Inlet	59	
		W/(L/s)	0.31	0.34	0.37	0.40	0.43	0.52	-	-						Outlet	59	
SDA630/6/8-3AC	906	m³/s	3.000	2.821	2.627	2.433	2.266	-	-	-	33.8	42	0.620	1.20	Δ	Inlet	49	
		W/(L/s)	0.17	0.18	0.21	0.23	0.27	-	-	-						Outlet	48	
	736	m³/s	2.480	2.257	1.965	1.598	-	-	-	-	-		0.412	0.74	Y	Inlet	46	
		W/(L/s)	0.15	0.17	0.21	0.27	-	-	-	-						Outlet	44	

Data provided is at standard air density of 1.2 kg/m³.

Data in accordance with ErP 327/2011 of the European Parliament. Measurement category used to determine energy efficiency: A.

Peak Amps @ 400V / 3PH / 50Hz.

The overall A-weighted sound pressure level is at a distance of 3m with spherical free-field propagation. It is expressed in dB re-20µPa and is presented for comparative purposes only.

RAPTOR SDA



Performance, SFP & Electrical Data

Single Phase 200V to 277V / 50Hz or 60Hz

Product Code	Control Voltage V	Speed r/min	Airflow SFP	Airflow m³/s @ Static Pressure Pa						At Best Efficiency Point			Electrical Data		dBA @ 3m		
				0	25	50	75	100	150	200	Overall Eff %	FMEG N	Input kW	Peak Amps			
SDA350/4-1EC	10	1952	m³/s	1.199	1.152	1.104	1.055	1.004	0.895	0.766	38.6	47	0.424	1.98	Inlet	57	
			W/(L/s)	0.31	0.34	0.36	0.39	0.42	0.48	0.55					Outlet	58	
	8	1548	m³/s	0.924	0.877	0.820	0.752	0.676	-	-	-		-	-	1.05	Inlet	52
			W/(L/s)	0.22	0.23	0.26	0.28	0.32	-	-	Outlet		53				
	5	934	m³/s	0.555	0.461	-	-	-	-	-	-		-	-	0.32	Inlet	41
			W/(L/s)	0.09	0.12	-	-	-	-	-	Outlet		41				
	2	320	m³/s	0.190	-	-	-	-	-	-	-		-	-	0.11	Inlet	20
			W/(L/s)	0.05	-	-	-	-	-	-	Outlet		20				
SDA400/4-1EC	10	1811	m³/s	1.410	1.370	1.324	1.274	1.219	1.097	0.947	49.5	59	0.490	2.29	Inlet	58	
			W/(L/s)	0.30	0.32	0.34	0.36	0.39	0.45	0.53					Outlet	58	
	8	1427	m³/s	1.134	1.055	0.984	0.912	0.832	-	-	-		-	-	1.17	Inlet	53
			W/(L/s)	0.18	0.21	0.23	0.26	0.29	-	-	Outlet		53				
	5	865	m³/s	0.673	0.560	0.410	-	-	-	-	-		-	-	0.35	Inlet	41
			W/(L/s)	0.08	0.11	0.15	-	-	-	-	Outlet		41				
	2	297	m³/s	0.224	-	-	-	-	-	-	-		-	-	0.11	Inlet	20
			W/(L/s)	0.04	-	-	-	-	-	-	Outlet		20				
SDA450/4-1EC	10	1303	m³/s	1.362	1.306	1.220	1.090	0.908	-	-	41.0	51	0.284	1.38	Inlet	56	
			W/(L/s)	0.18	0.20	0.22	0.26	0.32	-	-					Outlet	56	
	8	1025	m³/s	1.049	0.979	0.823	-	-	-	-	-		-	-	0.72	Inlet	51
			W/(L/s)	0.12	0.13	0.17	-	-	-	-	Outlet		52				
	5	621	m³/s	0.640	-	-	-	-	-	-	-		-	-	0.23	Inlet	41
			W/(L/s)	0.05	-	-	-	-	-	-	Outlet		41				
	2	215	m³/s	0.213	-	-	-	-	-	-	-		-	-	0.10	Inlet	20
			W/(L/s)	0.04	-	-	-	-	-	-	Outlet		20				
SDA500/4-1EC	10	1433	m³/s	2.384	2.317	2.245	2.165	2.077	1.860	1.523	40.1	47	0.740	3.32	Inlet	57	
			W/(L/s)	0.27	0.29	0.31	0.33	0.35	0.40	0.47					Outlet	57	
	8	1148	m³/s	1.921	1.828	1.713	1.562	1.321	-	-	-		-	-	1.76	Inlet	52
			W/(L/s)	0.17	0.19	0.21	0.24	0.29	-	-	Outlet		52				
	5	689	m³/s	1.120	0.958	-	-	-	-	-	-		-	-	0.48	Inlet	42
			W/(L/s)	0.08	0.10	-	-	-	-	-	Outlet		41				
	2	230	m³/s	0.352	-	-	-	-	-	-	-		-	-	0.29	Inlet	20
			W/(L/s)	0.08	-	-	-	-	-	-	Outlet		20				
SDA630/4-1EC	10	1056	m³/s	3.398	3.225	3.053	2.874	2.676	2.134	-	46.3	53	0.737	3.42	Inlet	53	
			W/(L/s)	0.16	0.19	0.22	0.24	0.27	0.35	-					Outlet	53	
	8	845	m³/s	2.679	2.492	2.274	2.003	1.620	-	-	-		-	-	2.06	Inlet	49
			W/(L/s)	0.11	0.13	0.16	0.19	0.23	-	-	Outlet		49				
	5	507	m³/s	1.555	1.291	-	-	-	-	-	-		-	-	0.54	Inlet	41
			W/(L/s)	0.05	0.07	-	-	-	-	-	Outlet		41				
	2	179	m³/s	0.524	-	-	-	-	-	-	-		-	-	0.30	Inlet	20
			W/(L/s)	0.12	-	-	-	-	-	-	Outlet		20				

Data provided is at standard air density of 1.2 kg/m³.

Data in accordance with ErP 327/2011 of the European Parliament. Measurement category used to determine energy efficiency: A.

A variable speed drive is integrated within the fan.

Peak Amps @ 230V / 1PH / 50Hz.

The overall A-weighted sound pressure level is at a distance of 3m with spherical free-field propagation. It is expressed in dB re-20µPa and is presented for comparative purposes only.

RAPTOR SDA



Performance, SFP & Electrical Data

Three Phase 380V to 480V / 50Hz or 60Hz

Product Code	Control Voltage V	Speed r/min	Airflow SFP	Airflow m³/s @ Static Pressure Pa						At Best Efficiency Point			Electrical Data		dBA @ 3m	
				0	25	50	75	100	150	200	Overall Eff %	FMEG N	Input kW	Peak Amps		
SDA500/4-3EC	10	1555	m³/s	2.649	2.590	2.518	2.428	2.319	2.059	1.672	41.8	47	0.920	1.53	Inlet	59
			W/(L/s)	0.31	0.32	0.34	0.36	0.39	0.45	0.54					Outlet	58
	8	1245	m³/s	2.073	1.997	1.902	1.793	1.674	-	-	-	-	-	0.94	Inlet	53
			W/(L/s)	0.20	0.22	0.24	0.26	0.29	-	-					Outlet	53
	5	747	m³/s	1.232	1.080	-	-	-	-	-	-	-	-	0.37	Inlet	43
			W/(L/s)	0.08	0.11	-	-	-	-	-					Outlet	43
	2	250	m³/s	0.406	-	-	-	-	-	-	-	-	-	0.17	Inlet	20
			W/(L/s)	0.04	-	-	-	-	-	-					Outlet	20
SDA630/4-3EC	10	1208	m³/s	3.826	3.706	3.589	3.471	3.348	3.073	2.702	48.5	55	1.087	1.94	Inlet	56
			W/(L/s)	0.21	0.23	0.25	0.28	0.30	0.35	0.41					Outlet	55
	8	971	m³/s	3.102	2.925	2.768	2.610	2.436	1.891	-	-	-	-	1.05	Inlet	53
			W/(L/s)	0.13	0.16	0.18	0.21	0.23	0.30	-					Outlet	52
	5	582	m³/s	1.841	1.592	0.651	-	-	-	-	-	-	-	0.43	Inlet	43
			W/(L/s)	0.06	0.08	0.19	-	-	-	-					Outlet	43
	2	195	m³/s	0.576	-	-	-	-	-	-	-	-	-	0.18	Inlet	20
			W/(L/s)	0.03	-	-	-	-	-	-					Outlet	20

Data provided is at standard air density of 1.2 kg/m³.

Data in accordance with ErP 327/2011 of the European Parliament. Measurement category used to determine energy efficiency: A.

A variable speed drive is integrated within the fan.

Peak Amps @ 400V / 3PH / 50Hz.

The overall A-weighted sound pressure level is at a distance of 3m with spherical free-field propagation. It is expressed in dB re-20µPa and is presented for comparative purposes only.

RAPTOR SDA



Sound Data

Single Phase 220V to 240V / 50Hz

Product Code		Sound Power Level dB @ Octave Band Hz								Total dB
		63Hz	125Hz	250Hz	500Hz	1kHz	2kHz	4kHz	8kHz	
SDA250/4-1AC	Inlet	68	70	59	55	52	52	49	42	73
	Outlet	67	72	58	54	53	53	48	41	73
SDA315/4-1AC	Inlet	64	70	63	65	63	55	51	45	73
	Outlet	67	70	63	65	61	56	52	46	73
SDA350/4-1AC	Inlet	68	71	64	63	60	56	51	47	74
	Outlet	71	70	64	63	60	58	53	47	75
SDA400/4-1AC	Inlet	79	77	69	63	64	63	58	53	82
	Outlet	78	77	70	65	65	63	58	51	81
SDA450/4-1AC	Inlet	74	78	73	64	64	64	60	53	81
	Outlet	78	78	72	65	64	63	58	53	82
SDA450/6-1AC	Inlet	67	69	62	56	58	57	51	43	72
	Outlet	68	68	62	57	57	56	49	43	72
SDA500/4-1AC	Inlet	74	79	68	62	66	68	61	52	81
	Outlet	76	80	70	65	66	66	60	52	82
SDA500/6-1AC	Inlet	71	77	70	56	59	59	53	46	79
	Outlet	72	77	69	57	60	58	51	45	79
SDA560/4-1AC	Inlet	83	82	82	76	79	78	74	67	89
	Outlet	83	82	82	76	79	78	74	67	89
SDA560/6-1AC	Inlet	75	78	68	66	70	67	61	52	81
	Outlet	75	78	68	66	70	67	61	52	81
SDA630/6-1AC	Inlet	71	72	68	66	65	65	49	52	77
	Outlet	72	73	69	68	67	62	58	52	78

Data provided at standard air density of 1.2 kg/m³.
 Tests and preparation of the sound data have been carried out in accordance with BS 848 Part 2:1985 at 50% peak pressure.
 The Sound Power Level Spectra are in dB re-1pW.

RAPTOR SDA



Sound Data

Three Phase 380V to 415V / 50Hz

Product Code	Speed r/min		Sound Power Level dBW @ Octave Band Hz								Total dB
			63Hz	125Hz	250Hz	500Hz	1 kHz	2 kHz	4 kHz	8 kHz	
SDA400/4/6-3AC	1387	Inlet	78	79	68	64	64	63	59	53	82
		Outlet	77	79	69	64	65	64	59	51	82
	1156	Inlet	74	74	64	61	61	60	55	48	78
		Outlet	72	73	65	62	62	60	54	46	76
SDA450/4/6-3AC	1377	Inlet	73	77	67	64	65	65	60	53	79
		Outlet	79	77	70	65	64	64	59	53	82
	1111	Inlet	71	72	61	63	60	60	54	47	75
		Outlet	75	71	63	64	60	59	53	46	77
SDA500/4/6-3AC	1339	Inlet	74	79	68	67	68	68	64	56	81
		Outlet	76	79	70	71	68	66	63	55	82
	1075	Inlet	70	74	73	62	62	62	55	48	78
		Outlet	70	73	72	65	62	60	53	48	77
SDA560/4/6-3AC	1295	Inlet	80	83	74	72	73	72	69	62	86
		Outlet	80	83	74	72	73	72	69	62	86
	916	Inlet	80	77	68	66	67	66	61	53	82
		Outlet	80	77	68	66	67	66	61	53	82
SDA630/4/6-3AC	1342	Inlet	85	93	81	82	83	83	78	70	95
		Outlet	85	93	81	82	83	83	78	70	95
	1068	Inlet	88	83	78	75	76	73	68	60	90
		Outlet	88	83	78	75	76	73	68	60	90
SDA630/6/8-3AC	906	Inlet	70	68	64	65	65	65	59	52	75
		Outlet	67	67	63	65	65	63	59	52	73
	736	Inlet	73	65	60	64	62	62	54	47	75
		Outlet	73	65	60	59	61	60	53	47	74

Data provided at standard air density of 1.2 Kg/m³.
 Tests and preparation of the sound data have been carried out in accordance with BS 848 Part 2:1985 at 50% peak pressure.
 The Sound Power Level Spectra are in dB re-1pW.

Sound Data

Single Phase 200V to 277V / 50Hz or 60Hz

Product Code	Control Voltage V		Sound Power Level dBW @ Octave Band Hz								Total dB
			63Hz	125Hz	250Hz	500Hz	1kHz	2kHz	4kHz	8kHz	
SDA350/4-1EC	10	Inlet	84	79	73	70	72	73	68	65	86
		Outlet	83	78	76	71	73	73	68	64	86
	8	Inlet	81	76	69	65	67	68	62	59	83
		Outlet	80	75	72	66	68	68	62	58	82
	5	Inlet	74	65	58	54	57	55	48	45	75
		Outlet	73	64	61	55	58	55	48	44	74
SDA400/4-1EC	10	Inlet	85	77	71	69	73	73	72	67	87
		Outlet	84	77	73	70	73	73	71	67	86
	8	Inlet	81	75	67	64	67	68	67	60	83
		Outlet	79	75	68	65	67	67	66	60	81
	5	Inlet	71	62	57	53	55	57	53	45	72
		Outlet	70	61	58	54	55	57	52	44	71
SDA450/4-1EC	10	Inlet	90	83	79	69	70	68	63	57	91
		Outlet	88	82	81	70	70	68	63	57	90
	8	Inlet	87	80	75	64	65	63	57	51	88
		Outlet	85	79	77	65	65	63	57	51	86
	5	Inlet	80	69	64	53	55	50	43	37	81
		Outlet	78	68	66	54	55	50	43	37	79
SDA500/4-1EC	10	Inlet	88	84	73	70	73	71	66	60	90
		Outlet	88	88	77	71	72	69	65	60	91
	8	Inlet	85	82	67	65	67	66	60	54	87
		Outlet	83	82	71	66	67	64	59	54	86
	5	Inlet	80	70	58	55	57	54	47	38	80
		Outlet	79	69	59	56	57	53	45	38	80
SDA630/4-1EC	10	Inlet	82	76	70	65	69	68	62	56	84
		Outlet	82	76	70	65	69	68	62	56	84
	8	Inlet	83	72	65	62	66	64	56	50	84
		Outlet	83	72	65	62	66	64	56	50	84
	5	Inlet	76	65	57	54	59	50	41	34	76
		Outlet	76	65	57	54	59	50	41	34	76

Data provided at standard air density of 1.2 Kg/m³.
 Tests and preparation of the sound data have been carried out in accordance with BS 848 Part 2:1985 at 50% peak pressure.
 The Sound Power Level Spectra are in dB re-1pW.

RAPTOR SDA



Sound Data

Three Phase 380V to 480V / 50Hz or 60Hz

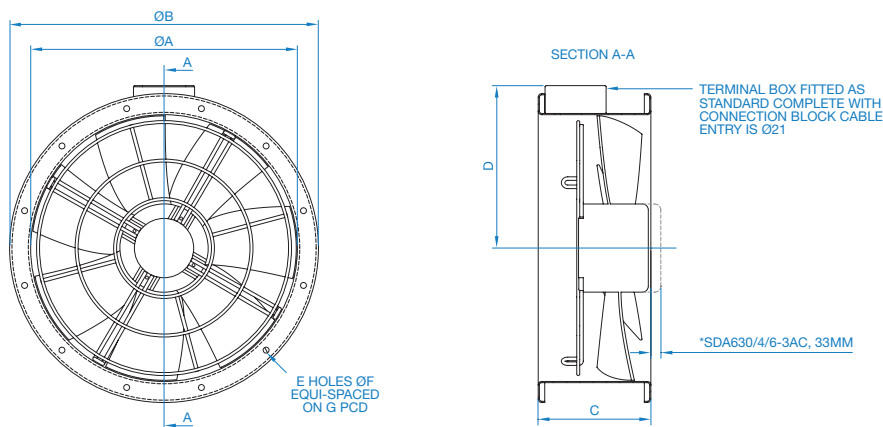
Product Code	Control Voltage V		Sound Power Level dBW @ Octave Band Hz								Total dB
			63Hz	125Hz	250Hz	500Hz	1kHz	2kHz	4kHz	8kHz	
SDA500/4-3EC	10	Inlet	88	82	76	71	75	73	68	62	90
		Outlet	88	84	80	73	74	71	67	62	90
	8	Inlet	85	80	69	66	69	67	62	56	86
		Outlet	85	83	73	67	68	66	61	56	87
	5	Inlet	83	69	59	57	59	56	49	41	83
		Outlet	82	70	61	58	59	55	47	41	82
SDA630/4-3EC	10	Inlet	84	78	75	69	72	71	65	59	86
		Outlet	85	79	76	69	70	68	64	59	87
	8	Inlet	83	81	72	65	70	67	60	54	86
		Outlet	84	80	72	65	69	64	58	54	86
	5	Inlet	74	66	59	57	61	54	46	38	75
		Outlet	75	66	59	56	62	52	44	37	76

Data provided at standard air density of 1.2 Kg/m³.
 Tests and preparation of the sound data have been carried out in accordance with BS 848 Part 2:1985 at 50% peak pressure.
 The Sound Power Level Spectra are in dB re-1pW.

Dimensional Data

Single & Three Phase

Product Code	A	B	C	D	E	F	G	Weight kg
SDA250/4-1AC	257	306	180	174	8	7	286	5
SDA315/4-1AC	317	382	180	209	8	10	356	7.5
SDA350/4-1AC	356	421	180	229	8	10	395	8
SDA350/4-1EC	356	421	180	229	8	10	395	8
SDA400/4-1AC	400	466	205	251	12	10	438	10
SDA400/4-1EC	400	466	205	251	12	10	438	9
SDA400/4/6-3AC	400	466	205	251	12	10	438	9.5
SDA450/4-1AC	450	521	255	278	12	10	487	20.5
SDA450/4-1EC	450	521	255	278	12	10	487	14
SDA450/4/6-3AC	450	521	300	278	12	10	487	18.5
SDA450/6-1AC	450	521	255	278	12	10	487	18.5
SDA500/4-1AC	503	575	250	304	12	10	541	21.5
SDA500/4-1EC	503	575	250	304	12	10	541	18
SDA500/4-3EC	503	575	250	304	12	10	541	18
SDA500/4/6-3AC	503	575	250	304	12	10	541	21.5
SDA500/6-1AC	503	575	250	304	12	10	541	20.5
SDA560/4-1AC	560	641	272	333	16	12	605	29
SDA560/4/6-3AC	560	641	272	333	16	12	605	25.5
SDA560/6-1AC	560	641	272	333	16	12	605	23.5
SDA630/4-1EC	634	709	250	370	16	12	674	25
SDA630/4-3EC	634	709	250	370	16	12	674	25
SDA630/4/6-3AC	634	709	250	370	16	12	674	37.4
SDA630/6-1AC	634	709	250	370	16	12	674	24.5
SDA630/6/8-3AC	634	709	250	370	16	12	674	24.5



Dimensions are in mm.

Accessories

Single Phase

Product Code	AC Electronic Controller	Ancillary Pack*	AV Mounts (set of 4)	Flanged Silencers 1D Podded	Flanged Silencers 1D Unpodded	Flanged Silencers 2D Podded
SDA250/4-1AC	149-EL31	APK250SCD/001	062-001	068-0250-1DEP	068-0250-1DENP	068-0250-2DEP
SDA315/4-1AC	149-EL31	APK315SCD/001	062-001	068-0315-1DEP	068-0315-1DENP	068-0315-2DEP
SDA350/4-1AC	-	APK350SCD/001	062-001	068-0350-1DEP	068-0350-1DENP	068-0350-2DEP
SDA400/4-1AC	149-EL31TK	APK400SCD/001	062-001	068-0400-1DEPC	068-0400-1DENPC	068-0400-2DEPC
SDA450/4-1AC	149-EL61TK	APK450SCD/001	062-001	068-0450-1DEPC	068-0450-1DENPC	068-0450-2DEPC
SDA450/6-1AC	149-EL31TK	APK450SCD/001	062-001	068-0450-1DEPC	068-0450-1DENPC	068-0450-2DEPC
SDA500/4-1AC	149-EL61TK	APK500SCD/002	062-002	068-0500-1DEPC	068-0500-1DENPC	068-0500-2DEPC
SDA500/6-1AC	149-EL31TK	APK500SCD/002	062-002	068-0500-1DEPC	068-0500-1DENPC	068-0500-2DEPC
SDA560/4-1AC	-	APK560SCD/002	062-002	068-0560-1DEPC	068-0560-1DENPC	068-0560-2DEPC
SDA630/6-1AC	149-EL61TK	APK630SCD/002	062-002	068-0630-1DEPC	068-0630-1DENPC	068-0630-2DEPC

Product Code	Flanged Silencers 2D Unpodded	Powder Coated Matching Flanges (each)	Powder Coated Mounting Feet (each)	Standard Ambient Flexible Connectors (each)	Transformer Controller	Wall Cowl	Wiring Diagram
SDA250/4-1AC	068-0250-2DENP	061A-0250-C	060A-0250-C	063-0250-MAN150	149-TC12	SWC25/31	152-177
SDA315/4-1AC	068-0315-2DENP	061A-0315-C	060A-0315-C	063-0315-MAN150	149-TC12	SWC25/31	152-104B
SDA350/4-1AC	068-0350-2DENP	061A-0350-C	060A-0350-C	063-0350-MAN150	149-TC12	SWC35/40	152-104B
SDA400/4-1AC	068-0400-2DENPC	061A-0400-C	060A-0400-C	063-0400-MAN150	149-TC14	SWC35/40	152-104B
SDA450/4-1AC	068-0450-2DENPC	061A-0450-C	060A-0450-C	063-0450-MAN150	149-TC18	SWC45/50	152-104B
SDA450/6-1AC	068-0450-2DENPC	061A-0450-C	060A-0450-C	063-0450-MAN150	149-TC14	SWC45/50	152-104B
SDA500/4-1AC	068-0500-2DENPC	061A-0500-C	060A-0500-C	063-0500-MAN150	149-TC18	SWC45/50	152-104B
SDA500/6-1AC	068-0500-2DENPC	061A-0500-C	060A-0500-C	063-0500-MAN150	149-TC12	SWC45/50	152-104B
SDA560/4-1AC	068-0560-2DENPC	061A-0560-C	060A-0560-C	063-0560-MAN150	149-TC110	SWC56/63	152-104B
SDA630/6-1AC	068-0630-2DENPC	061A-0630-C	060A-0630-C	063-0630-MAN200	149-TC18	SWC56/63	152-104B

* Consists of Flexible Connections, Matching Flanges, AV Mounts and Mounting Feet.

Three Phase

Product Code	Ancillary Pack*	AV Mounts (set of 4)	Flanged Silencers 1D Podded	Flanged Silencers 1D Unpodded	Flanged Silencers 2D Podded	Flanged Silencers 2D Unpodded
SDA400/4/6-3AC	APK400SCD/001	062-001	068-0400-1DEPC	068-0400-1DENPC	068-0400-2DEPC	068-0400-2DENPC
SDA450/4/6-3AC	APK450SCD/001	062-001	068-0450-1DEPC	068-0450-1DENPC	068-0450-2DEPC	068-0450-2DENPC
SDA500/4/6-3AC	APK500SCD/002	062-002	068-0500-1DEPC	068-0500-1DENPC	068-0500-2DEPC	068-0500-2DENPC
SDA560/4/6-3AC	APK560SCD/002	062-002	068-0560-1DEPC	068-0560-1DENPC	068-0560-2DEPC	068-0560-2DENPC
SDA630/4/6-3AC	APK630SCD/002	062-002	068-0630-1DEPC	068-0630-1DENPC	068-0630-2DEPC	068-0630-2DENPC
SDA630/6/8-3AC	APK630SCD/002	062-002	068-0630-1DEPC	068-0630-1DENPC	068-0630-2DEPC	068-0630-2DENPC

Product Code	Powder Coated Matching Flanges (each)	Powder Coated Mounting Feet (each)	Standard Ambient Flexible Connectors (each)	Transformer Controller	Wall Cowl
SDA400/4/6-3AC	061A-0400-C	060A-0400-C	063-0400-MAN150	149-TC33	SWC35/40
SDA450/4/6-3AC	061A-0450-C	060A-0450-C	063-0450-MAN150	149-TC33	SWC45/50
SDA500/4/6-3AC	061A-0500-C	060A-0500-C	063-0500-MAN150	149-TC33	SWC45/50
SDA560/4/6-3AC	061A-0560-C	060A-0560-C	063-0560-MAN150	149-TC33	SWC56/63
SDA630/4/6-3AC	061A-0630-C	060A-0630-C	063-0630-MAN200	149-TC310	SWC56/63
SDA630/6/8-3AC	061A-0630-C	060A-0630-C	063-0630-MAN200	149-TC33	SWC56/63

* Consists of Flexible Connections, Matching Flanges, AV Mounts and Mounting Feet.

Accessories

Single Phase

Product Code	Ancillary Pack*	AV Mounts (set of 4)	EC Electronic Controller	Flanged Silencers 1D Padded	Flanged Silencers 1D Unpadded	Flanged Silencers 2D Padded
SDA350/4-1EC	APK350SCD/001	062-001	149-POT-10-MI	068-0350-1DEP	068-0350-1DENP	068-0350-2DEP
SDA400/4-1EC	APK400SCD/001	062-001	149-POT-10-MI	068-0400-1DEPC	068-0400-1DENPC	068-0400-2DEPC
SDA450/4-1EC	APK450SCD/001	062-001	149-POT-10-MI	068-0450-1DEPC	068-0450-1DENPC	068-0450-2DEPC
SDA500/4-1EC	APK500SCD/002	062-002	149-POT-10-MI	068-0500-1DEPC	068-0500-1DENPC	068-0500-2DEPC
SDA630/4-1EC	APK630SCD/002	062-002	149-POT-10-MI	068-0630-1DEPC	068-0630-1DENPC	068-0630-2DEPC

Product Code	Flanged Silencers 2D Unpadded	Powder Coated Matching Flanges (each)	Powder Coated Mounting Feet (each)	Standard Ambient Flexible Connectors (each)	Wall Cowl	Wiring Diagram
SDA350/4-1EC	068-0350-2DENP	061A-0350-C	060A-0350-C	063-0350-MAN150	SWC35/40	152-00044
SDA400/4-1EC	068-0400-2DENPC	061A-0400-C	060A-0400-C	063-0400-MAN150	SWC35/40	152-00298951
SDA450/4-1EC	068-0450-2DENPC	061A-0450-C	060A-0450-C	063-0450-MAN150	SWC45/50	152-00044
SDA500/4-1EC	068-0500-2DENPC	061A-0500-C	060A-0500-C	063-0500-MAN150	SWC45/50	152-MOEA03K1
SDA630/4-1EC	068-0630-2DENPC	061A-0630-C	060A-0630-C	063-0630-MAN200	SWC56/63	152-MOEA03K1

* Consists of Flexible Connections, Matching Flanges, AV Mounts and Mounting Feet.

Accessories

Three Phase

Product Code	Ancillary Pack*	AV Mounts (set of 4)**	EC Electronic Controller	Flanged Silencers 1D Podded	Flanged Silencers 1D Unpodded	Flanged Silencers 2D Podded
SDA500/4-3EC	APK500SCD/002	062-002	149-POT-10-MI	068-0500-1DEPC	068-0500-1DENPC	068-0500-2DEPC
SDA630/4-3EC	APK630SCD/002	062-002	149-POT-10-MI	068-0630-1DEPC	068-0630-1DENPC	068-0630-2DEPC

Product Code	Flanged Silencers 2D Unpodded	Powder Coated Matching Flanges (each)	Powder Coated Mounting Feet (each)	Standard Ambient Flexible Connectors (each)	Wall Cowl	Wiring Diagram
SDA500/4-3EC	068-0500-2DENPC	061A-0500-C	060A-0500-C	063-0500-MAN150	SWC45/50	152-MOEA03K3
SDA630/4-3EC	068-0630-2DENPC	061A-0630-C	060A-0630-C	063-0630-MAN200	SWC56/63	152-MOEA03K3

*Consists of Flexible Connections, Matching Flanges, AV Mounts and Mounting Feet.

**Supplied as a single mount.

Tel **+44 (0) 1384 275800**
Email **info@eltauk.com**
eltauk.com

SDA-02-2024 Issue E



BS EN ISO 9001:2015 FM 556465

