

AR 200E2 sileo Axial fan

Axial duct fan, <125W

Item Number: 37374

Variant: 230V 1~ 50Hz

Speed controllable by voltage reduction, plus option of 2-step operation by D/Y switching for 400V versions.

Safe and maintenance free operation.

Can be installed in any mounting position.

Electric connection via terminal box mounted on the casing.

Axial fans of the AR sileo range do have a sickle shape of the fan blade, and are driven by external rotor motors. The AR range is mounted in a round casing according Eurovent 1/2, galvanized steel and powder coated in black (RAL9005). The axial impeller and the Protective guard are manufactured from sheet steel black coated. The impeller is balanced dynamically in two levels in accordance with DIN ISO 1940 part 1, quality G6.3.

The motors are equipped with thermal contacts for motor protection, with leads to be connected to a motor protection unit.



Technical parameters

Nominal data	
Voltage (Nominal)	230 V
Frequency	50 Hz
Phase(s)	1~
Motor circuit connection	D
Input power	71 W
Input current	0.321 A
Impeller speed	2,490 r.p.m.
Air flow	max 0.248 m ³ /s
Temperature of transported air	max 65 °C
Max temperature of transported air, when speed controlled	65 °C
Sound data	
Sound pressure level at 1m	59 dB(A)
Protection/Classification	
Enclosure class, motor	IP44
Insulation class	B

Data according to ErP

ErP ready

Not ErP relevant

Dimensions and weights

Duct dimension; Circular, inlet

200 mm

Duct dimension; Circular, outlet

200 mm

Weight

3.7 kg

Others

Duct connection type

Circular

Color name, casing

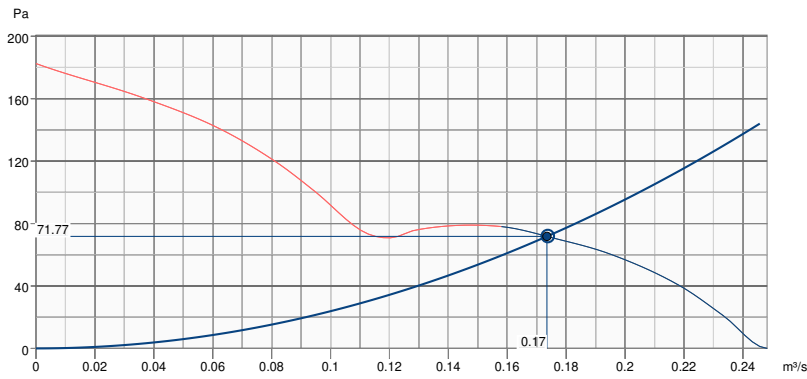
Black

Motor type

AC

Performance

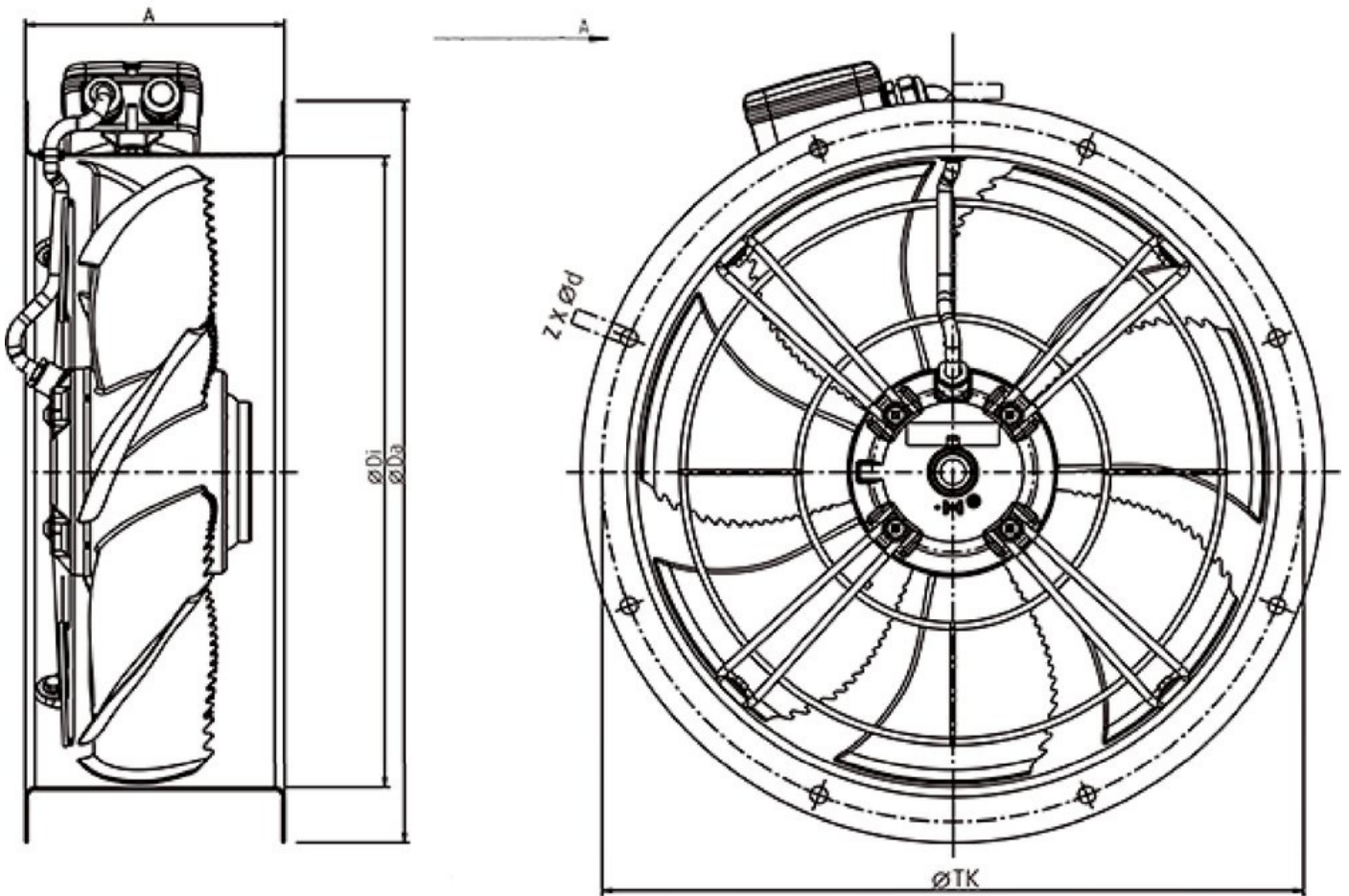
Performance curve



Hydraulic data	
Required air flow	0.17 m³/s
Required static pressure	72 Pa
Working air flow	0.17 m³/s
Working static pressure	72 Pa
Air density	1.204 kg/m³
Power	70.7 W
Fan control - RPM	2489 rpm
Current	0.32 A
SFP	0.408 kW/m³/s
Control voltage	230.0 V
Supply voltage	230 V

Sound power level		63	125	250	500	1k	2k	4k	8k	Total
Inlet	dB(A)	25	38	51	55	59	62	59	52	66
Outlet	dB(A)	26	38	51	56	60	63	60	53	67

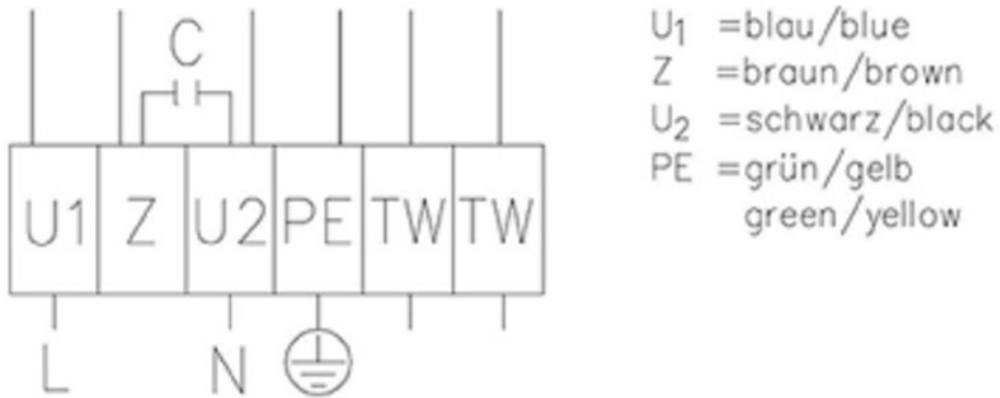
Dimension



	A	ØDi	ØDa	ØTK	z x Ød
AR 200 sileo	135	200	250	225	4 x Ø7

Wiring

Einphasen-Wechselstrommotor mit Betriebskondensator Singlephase AC motor with capacitor



U1 = blue = blau
U2 = black = schwarz
Z = brown = braun
PE = yellow/green = grün-gelb

Accessories

- AWE-SK Motorprotection 2A/230V (5138)
- GFL-AR 200 counter flange (308868)
- REU 1.5 Speed control (5004)
- S-ET 10 Motor Protection (161199)
- EV-AR 200 flex.conn. 70°C (308869)
- REE 1 Speed control (5314)
- RTRE 1,5 Speed control (5008)
- SG AR 200 guard grill (313298)

Documents

- IMO - 37375 - AR 200E4 SILEO.PDF
- MANUAL_AW_AR_EBM_EN_003-MIN.PDF
- UKCA-declaration of conformity_AXC_001
- installation variations_2_AR_AW.pdf