

AR 250E4 sileo Axial fan

Axial duct fan, <125W

Item Number: 37377

Variant: 230V 1~ 50Hz

Speed controllable by voltage reduction, plus option of 2-step operation by D/Y switching for 400V versions.

Safe and maintenance free operation.

Can be installed in any mounting position.

Electric connection via terminal box mounted on the casing.

Axial fans of the AR sileo range do have a sickle shape of the fan blade, and are driven by external rotor motors. The AR range is mounted in a round casing according Eurovent 1/2, galvanized steel and powder coated in black (RAL9005). The axial impeller and the Protective guard are manufactured from sheet steel black coated. The impeller is balanced dynamically in two levels in accordance with DIN ISO 1940 part 1, quality G6.3.

The motors are equipped with thermal contacts for motor protection, with leads to be connected to a motor protection unit.



Technical parameters

Nominal data		
Voltage (Nominal)	230	V
Frequency	50	Hz
Phase(s)	1~	
Motor circuit connection	D	
Input power	50	W
Input current	0.217	A
Impeller speed	1,263	r.p.m.
Air flow	max 0.282	m ³ /s
Capacitance of capacitor	1.5	μF
Temperature of transported air	max 40	°C
Max temperature of transported air, when speed controlled	40	°C
Sound data		
Sound pressure level at 1m	52	dB(A)
Protection/Classification		
Enclosure class, motor	IP44	
Insulation class	B	

Data according to ErP

ErP ready

Not ErP relevant

Dimensions and weights

Duct dimension; Circular, inlet

250 mm

Duct dimension; Circular, outlet

250 mm

Weight

4 kg

Others

Duct connection type

Circular

Color name, casing

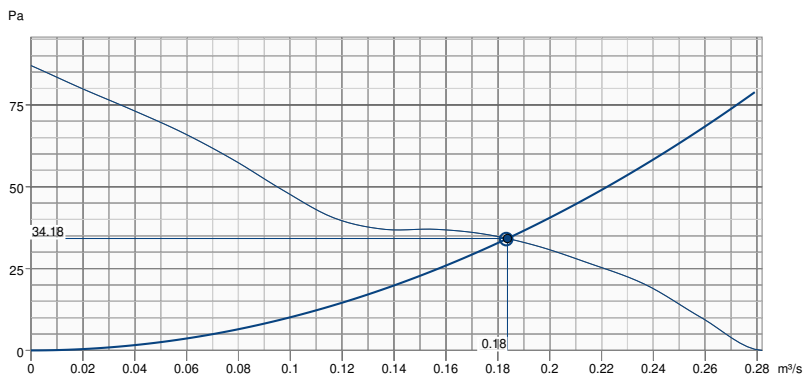
Black

Motor type

AC

Performance

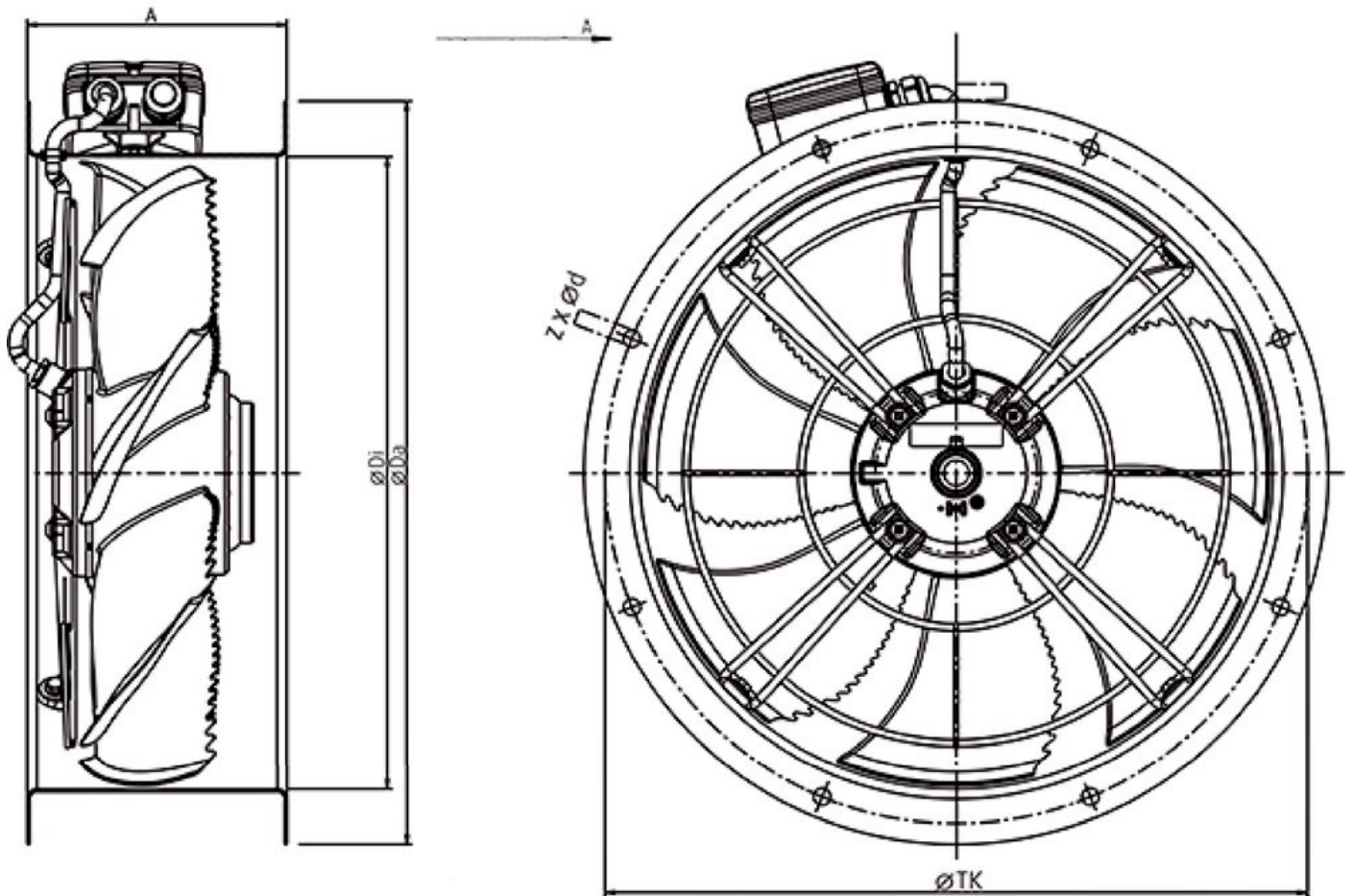
Performance curve



Hydraulic data

Required air flow	0.18 m ³ /s
Required static pressure	34 Pa
Working air flow	0.18 m ³ /s
Working static pressure	34 Pa
Air density	1.204 kg/m ³
Power	44.6 W
Fan control - RPM	1362 rpm
Current	0.20 A
SFP	0.243 kW/m ³ /s
Control voltage	230.0 V
Supply voltage	230 V

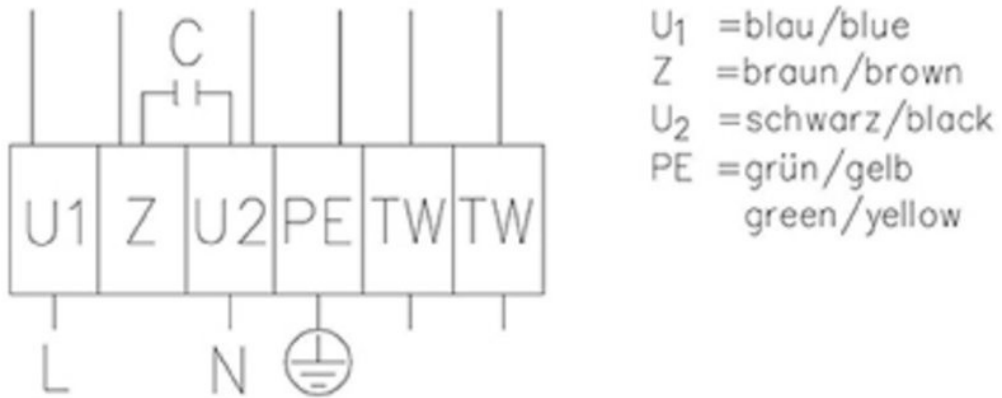
Dimension



	A	$\varnothing Di$	$\varnothing Da$	$\varnothing TK$	$z \times \varnothing d$
AR 250 sileo	135	257	305	280	4 x $\varnothing 7$

Wiring

Einphasen-Wechselstrommotor mit Betriebskondensator Singlephase AC motor with capacitor



Accessories

- AWE-SK Motorprotection 2A/230V (5138)
- GFL-AR/AXCBF 250 counterflange (311162)
- REE 1 Speed control (5314)
- RTRE 1,5 Speed control (5008)
- S-ET 10 Motor Protection (161199)
- EV-AR 250 flex.conn. 70°C (311174)
- MFA-AR/AXCBF 250 mounting foot (313300)
- REU 1.5 Speed control (5004)
- S-ET 10 Motor Protection (5154)
- SG AR/AXCBF 250 guard grill (313299)

Documents

- IMO - 37377 - AR 250E4 SILEO.PDF
- MANUAL_AW__AR_EBM_EN_003-MIN.PDF
- UKCA-declaration of conformity_AXC_001
- installation variations_2_AR_AW.pdf