

AR 500E4 sileo Axial fan

Axial duct fan

Item Number: 37387

Variant: 230V 1~ 50Hz

speed controllable by voltage reduction, plus option of 2-step operation by D/Y switching for 400V versions

safe and maintenance free operation

can be installed in any mounting position

electric connection via terminal box mounted on the casing

Axial fans of the AR sileo range do have a bionic shape of the fan blade, and are driven by external rotor motors. The AR range is mounted in a round casing according Eurovent 1/2, galvanized steel and powder coated in black (RAL9005). The axial impeller is manufactured from black high efficiency composite material. The impeller is balanced dynamically in two levels in accordance with DIN ISO 1940 part 1, quality G6.3.

The motors are equipped with thermal contacts for motor protection, with leads to be connected to a motor protection unit.



Technical parameters

Nominal data		
Voltage (Nominal)	230	V
Frequency	50	Hz
Phase(s)	1~	
Motor circuit connection	D	
Input power	720	W
Input current	3.2	A
Impeller speed	1,240	r.p.m.
Air flow	max 2.466	m ³ /s
Air flow at max. efficiency	1.593	m ³ /s
Specific ratio	1,000000	
Capacitance of capacitor	16	µF
Temperature of transported air	max 70	°C
Max temperature of transported air, when speed controlled	70	°C
Sound data		
Sound pressure level at 1m	66	dB(A)

Protection/Classification

Enclosure class, motor	IP54
Insulation class	F

Data according to ErP

ErP ready	ErP 2018
Measurement category	A
Efficiency grade	40.3 η_{actual}
Efficiency, static	32.9 η_{statA}
Target efficiency grade ErP2013	36 $\eta_{\text{target2013}}$
Target efficiency grade ErP2015	40 $\eta_{\text{target2015}}$

Dimensions and weights

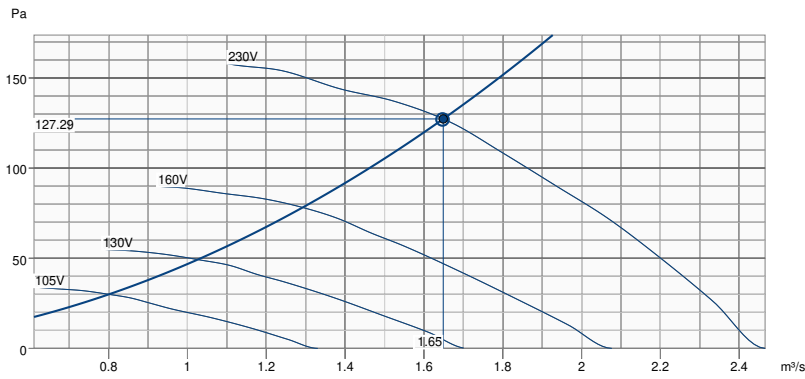
Duct dimension; Circular, inlet	500 mm
Duct dimension; Circular, outlet	500 mm
Weight	18.6 kg

Others

Duct connection type	Circular
Color name, casing	Black
Motor type	AC

Performance

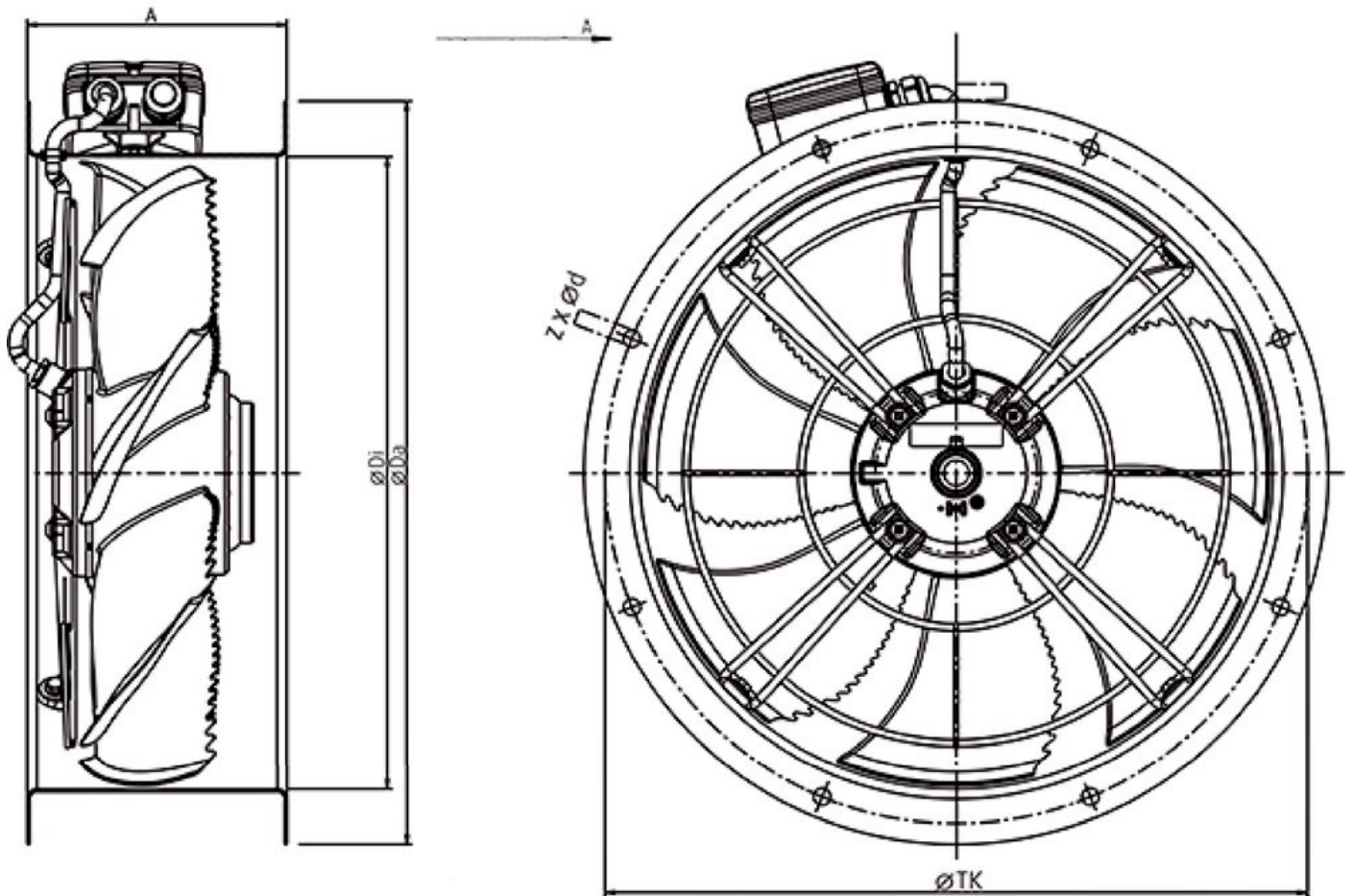
Performance curve



Hydraulic data	
Required air flow	1.65 m³/s
Required static pressure	127 Pa
Working air flow	1.65 m³/s
Working static pressure	127 Pa
Air density	1.204 kg/m³
Power	694.1 W
Fan control - RPM	1258 rpm
Current	3.06 A
SFP	0.421 kW/m³/s
Control voltage	230.0 V
Supply voltage	230 V

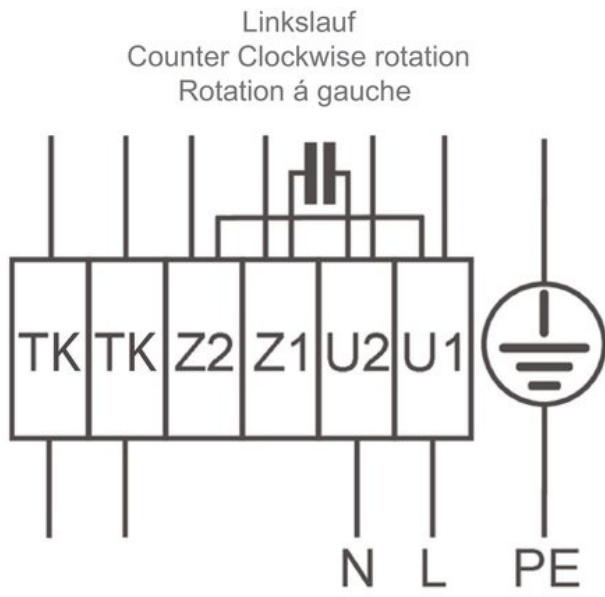
Sound power level		63	125	250	500	1k	2k	4k	8k	Total
Inlet	dB(A)	19	35	45	54	60	60	56	48	64
Outlet	dB(A)	18	36	47	54	59	60	56	49	64

Dimension



	A	ØDi	ØDa	ØTK	z x Ød
AR 500 sileo	205	503	590	560	12 x Ø12

Wiring



Ecodesign

Ecodesign 327	
Manufacturer	Systemair GmbH, Seehöfer Str. 45, DE-97944 Boxberg, Amtsgericht (court of registration) Mannheim, HRB 560437
Type	AR 500E4
Year of manufacture	See name plate of the fan
Air flow qv	1.5931 m ³ /s
Efficiency category	static
Efficiency grade N	40.3
Efficiency grade target N	40
Speed (rpm) n	1,253 r.p.m.
Pressure increase total psf	134 Pa
Power consumption Ped	700 W
Overall efficiency	32.9 %
Variable speed drive	No
Additional components	Components used to calculate the energy efficiency that are not apparent from the measurement category are detailed in the CE declaration.
Maintenance	Information on installation, operation and maintenance is provided in the operating instructions.
Recycling / disposal	Information on recycling and disposal is provided in the operating instructions.

Accessories

- EV-AR/AXC 500 flex.conn. 70°C (8356)
- MFA-AXC/AM 500 mounting foot (311287)
- REU 5 Speed control (5006)
- S-ET 10 Motor Protection (5154)
- GFL-AR/AXC 500 counter flange (8380)
- REE 4 Speed control (5317)
- RTRE 5 Speed control (5010)
- S-ET 10 Motor Protection (161199)

Documents

- L-BAL-001-SYSTEMAIR.PDF
- UKCA-declaration of conformity_AXC_001
- installation variations_1_AR_AW.pdf