

AW 300E2 sileo Axial fan

Axial wall fan

Item Number: 5801

Variant: 230V 1~ 50Hz

Square plate for wall mounting

External rotor motor

Protection guard on the inlet

wide range of accessories

The casing, protection guard and impeller is manufactured from galvanised steel, painted in standard black. The fans have sickle bladed impellers.

The single-phase motor is full speed-controllable via Thyristor or transformer.

The three-phase motor is full speed-controllable via transformer and D/Y connection. To protect the motor from overheating the fan has integral thermal contacts with external leads for connection to a motor protection device.



Technical parameters

Norminal data		
Voltage (Nominal)	230	V
Frequency	50	Hz
Phase(s)	1~	
Input power	309	W
Input current	1.35	A
Impeller speed	2,730	r.p.m.
Air flow	max 0.948	m ³ /s
Air flow at max. efficiency	0.6361	m ³ /s
Specific ratio	1,000000	
Capacitance of capacitor	8	μF
Temperature of transported air	max 50	°C
Max temperature of transported air, when speed controlled	50	°C
Sound data		
Sound pressure level at 1m	71	dB(A)

Protection/Classification

Enclosure class, motor	IP44
Insulation class	B

Data according to ErP

ErP ready	Not ErP relevant
Measurement category	A
Efficiency grade	40.2 η_{actual}
Efficiency, static	30.4 η_{statA}
Target efficiency grade ErP2013	36 $\eta_{\text{target2013}}$
Target efficiency grade ErP2015	40 $\eta_{\text{target2015}}$

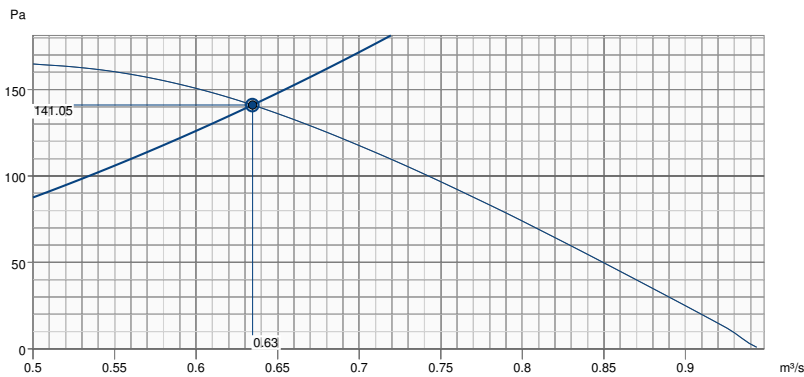
Dimensions and weights

Weight	6.2 kg
--------	--------

Others

Color name, casing	Black
Motor type	AC

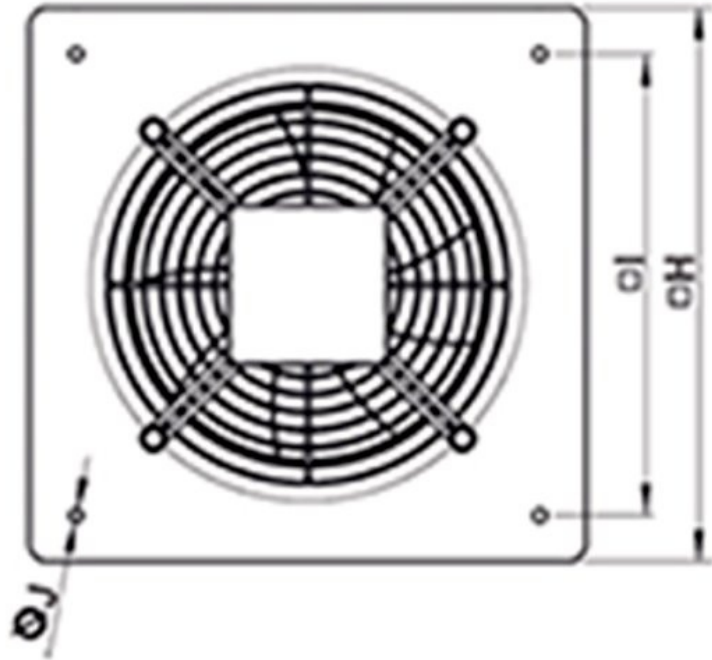
Performance curve



Hydraulic data

Required air flow	0.63 m³/s
Required static pressure	141 Pa
Working air flow	0.63 m³/s
Working static pressure	141 Pa
Air density	1.204 kg/m³
Power	287.1 W
Fan control - RPM	2569 rpm
Current	1.26 A
SFP	0.452 kW/m³/s
Control voltage	230.0 V
Supply voltage	230 V

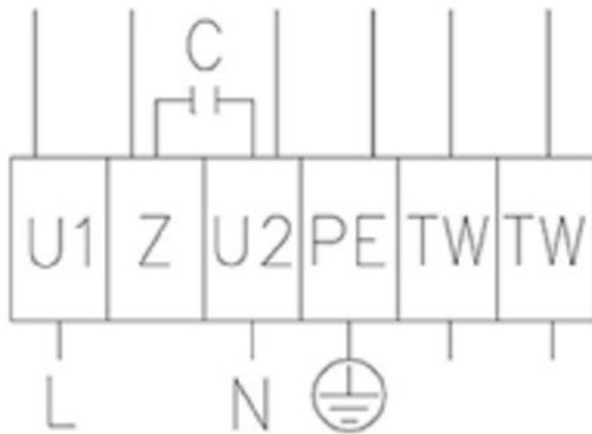
Dimension



	A	B	øC	øD	E	G	□H	□I	øJ	K
AW 300E2	111	25	326	330	69	80	430	380	9	65

Wiring

Einphasen-Wechselstrommotor mit Betriebskondensator Singlephase AC motor with capacitor



U₁ =blau/blue
Z =braun/brown
U₂ =schwarz/black
PE =grün/gelb
green/yellow

Ecodesign

Ecodesign 327	
Manufacturer	Systemair GmbH, Seehöfer Str. 45, DE-97944 Boxberg, Amtsgericht (court of registration) Mannheim, HRB 360437
Type	AW 300E2
Year of manufacture	See name plate of the fan
Air flow qv	0.6361 m ³ /s
Efficiency category	static
Efficiency grade N	40.2
Efficiency grade target N	40
Speed (rpm) n	2,570 r.p.m.
Pressure increase total psf	140 Pa
Power consumption Ped	280 W
Overall efficiency	30.4 %
Overall efficiency target	30.2 %
Variable speed drive	No
Additional components	Components used to calculate the energy efficiency that are not apparent from the measurement category are detailed in the CE declaration.
Maintenance	Information on installation, operation and maintenance is provided in the operating instructions.
Recycling / disposal	Information on recycling and disposal is provided in the operating instructions.

Accessories

- REE 2 Speed control (5316)
- REV-5POL/05 ON/OFF (33979)
- S-ET 10 Motor Protection (5154)
- REU 1.5 Speed control (5004)
- RTRE 1,5 Speed control (5008)
- S-ET 10 Motor Protection (161199)

Documents

- IMO - 5801 - AW 300E2.PDF
- MANUAL_AW__AR_EBM_EN_003-MIN.PDF
- EU_DECLARATION_OF_CONFORMITY_AXIAL_FANS_EN_004.PDF
- installation_variations_2_AR_AW.pdf

Specification

The box with a quadratic wall plate made out of electroplated steel plate is powder- coated and black. The protection guard is included. The fan can be installed in each fitting position. The axial impeller with airfoil made out of electroplated steel plate is coated black. The actuation is carried out by a maintenance- free, speed- controlled external rotor motor. The fan is speed- controllable by a thyristor or a transformer alternatively at a 400V- Construction a 2- stepped operation trough a D/Y- Connection is also possible. For protecting the motor integrated thermostat relays with completed lines to a motor protection device are built in. . For annealing the motor is situated in the air flow. Impeller according to VDI 2060, quality category Q6,3 and dynamically weigh heavy in to levels.