

AW 300E4 sileo Axial fan

Axial fan

Item Number: 34119

Variant: 230V 1~ 50Hz

- speed controllable by voltage reduction
- inlet protection guard
- safe and maintenance free operation
- can be installed in any mounting position
- electric connection via terminal box mounted on the motor
- single phase fans are supplied with capacitor

Axial fans of the AW sileo range do have a bionic shape of the fan blade, and are driven by external rotor motors. The AW range is equipped with a square wall plate, galvanized steel and powder coated in black (RAL9005). The protection guard at the inlet side is powder coated in black. The axial impeller is manufactured from black high efficiency composite material. The impeller is balanced dynamically in two levels in accordance with DIN ISO 1940 part 1, quality G6.3.

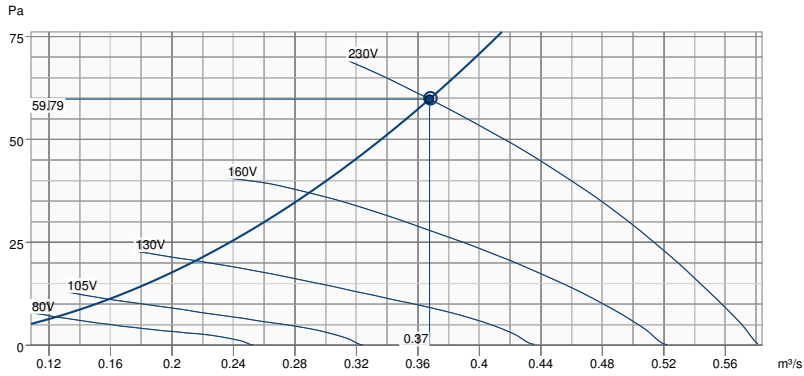
The motors are equipped with thermal contacts for motor protection, with leads to be connected to a motor protection unit, for example Systemair unit S-ET.



Technical parameters

Nominal data	
Voltage (Nominal)	230 V
Frequency	50 Hz
Phase(s)	1~
Input power	100 W
Input current	0.41 A
Impeller speed	1,330 r.p.m.
Air flow	max 0.5839 m ³ /s
Capacitance of capacitor	3 µF
Temperature of transported air	max 60 °C
Max temperature of transported air, when speed controlled	60 °C
Sound data	
Sound pressure level at 1m	56 dB(A)
Protection/Classification	
Enclosure class, motor	IP44
Insulation class	F
Dimensions and weights	
Weight	5.4 kg
Others	
Color name, casing	Black
Motor type	AC

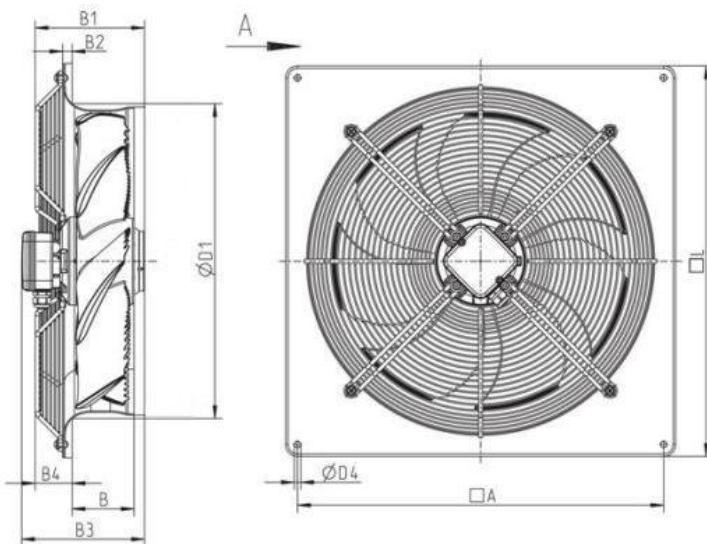
Performance curve



Hydraulic data

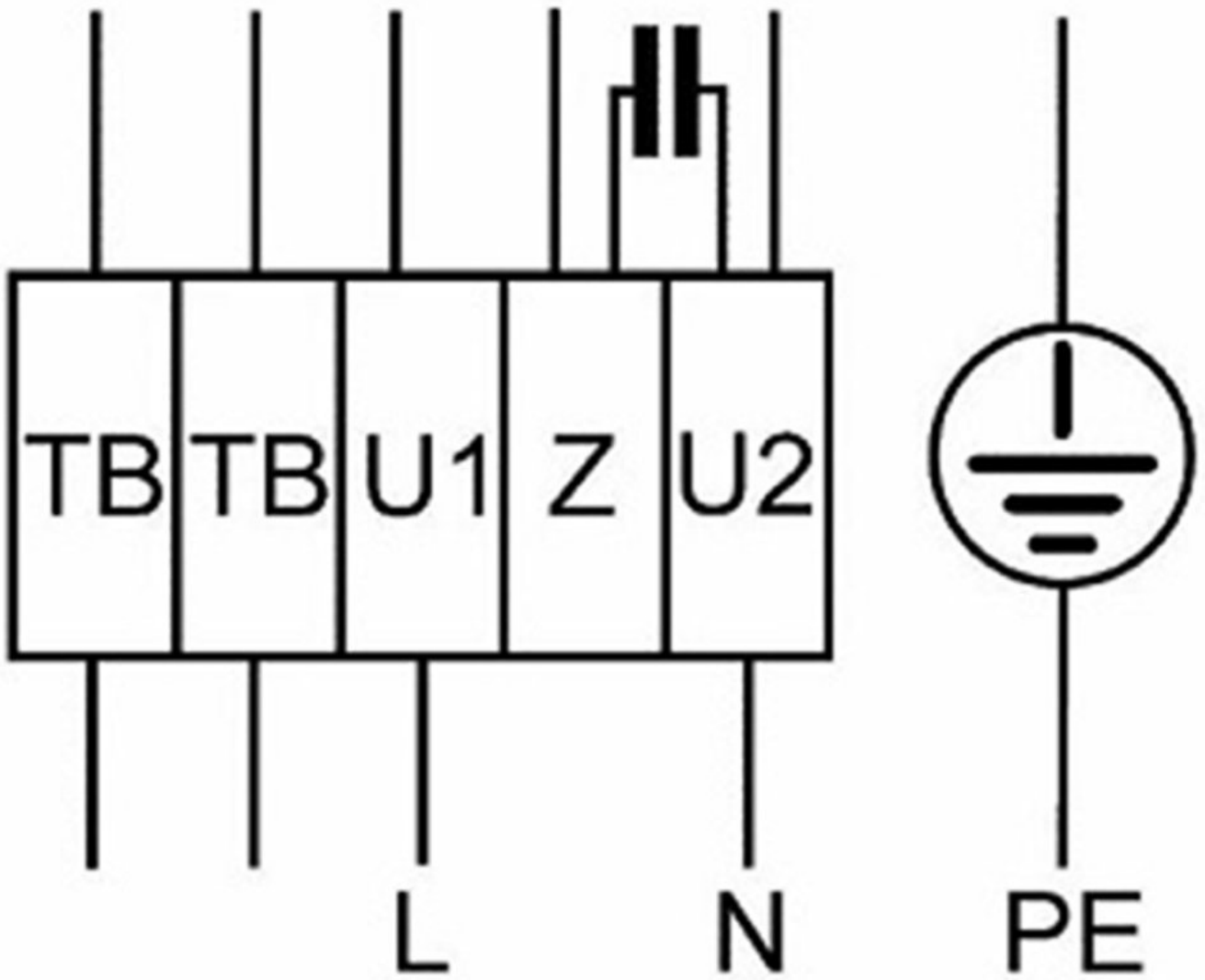
Required air flow	0.37 m³/s
Required static pressure	60 Pa
Working air flow	0.37 m³/s
Working static pressure	60 Pa
Air density	1.204 kg/m³
Power	94.2 W
Fan control - RPM	1336 rpm
Current	0.41 A
SFP	0.256 kW/m³/s
Control voltage	230.0 V
Supply voltage	230 V

Dimension



	□A	B	B1	B2	B3	B4	ØD1	ØD4	□L
AW 300E4	380	69	103	11	165	28	326	9	430

Wiring



Accessories

- AWE-SK Motorprotection 2A/230V (5138)
- REU 1.5 Speed control (5004)
- RTRE 1,5 Speed control (5008)
- VK-30 Louvre shutter (5641)
- STL 1.5 Speed controller (84251)
- REE 1 Speed control (5314)
- REV-5POL/05 ON/OFF (33979)
- S-ET 10 Motor Protection (5154)
- RAW 300/315 Roof Cowl c/w BG (86491)

Documents

- BAL-AXIAL-SILEO-SYSTEMAIR-08-2013.PDF
- EU_DECLARATION_OF_CONFORMITY_AXIAL_FANS_EN_004.PDF