

AW 355 D4-2-EX Axial fan ATEX

Axial wall fan, explosion proof, II 2G c Ex e IIB T4

Item Number: 5969

Variant: 400V 3~ 50Hz

Certified according to ATEX

Speed-controllable

Integral thermal contact

Explosion proof

The AW - EX fans have speed controllable external rotor motors. The fans have a square plate for wall mounting and are painted in standard black. The casing and impeller is manufactured from sheet steel. To protect the motor from overheating, integral thermistors are fitted with external leads which must be connected to the U-EK230E motor protection relay.

The AW-Ex fan motor is approved according to ATEX. Useful for Zone 1 and 2, groups IIA, IIB and temperature class T1, T2, or T3 (AW 355 and AW 420 also T4). Ignition protection "e".

Accessories for Ex-fans only on request.



Technical parameters

Nominal data		
Voltage (Nominal)	400	V
Frequency	50	Hz
Phase(s)	3~	
Input power	286	W
Input current	0.493	A
Impeller speed	1,341	r.p.m.
Air flow	max 0.72	m³/s
Temperature of transported air	max 40	°C
Max temperature of transported air, when speed controlled	40	°C
Sound data		
Sound pressure level at 3m (20m² Sabin)	62	dB(A)

Protection/Classification

Enclosure class, motor	IP44
Insulation class	F
Explosion proof marking	II 2G c Ex e IIB T4
Certificate	ZELM 05ATEX0279X

Data according to ErP

ErP ready	Not ErP relevant
-----------	------------------

Controller and Sensors

Ambient and duct temperature	-20 to 40 °C
------------------------------	--------------

Dimensions and weights

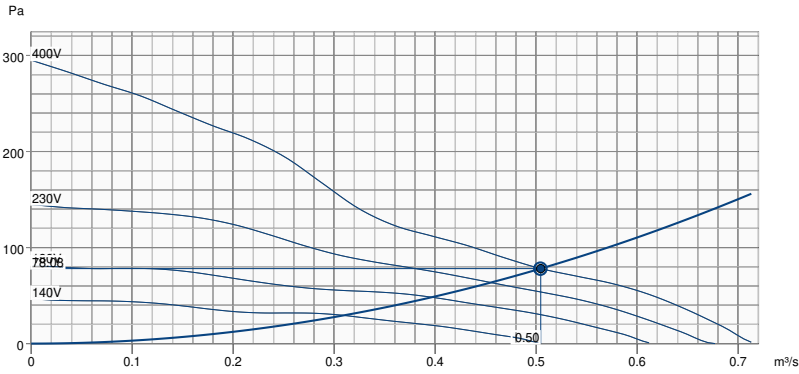
Weight	9 kg
--------	------

Others

Motor type	AC
------------	----

Performance

Performance curve

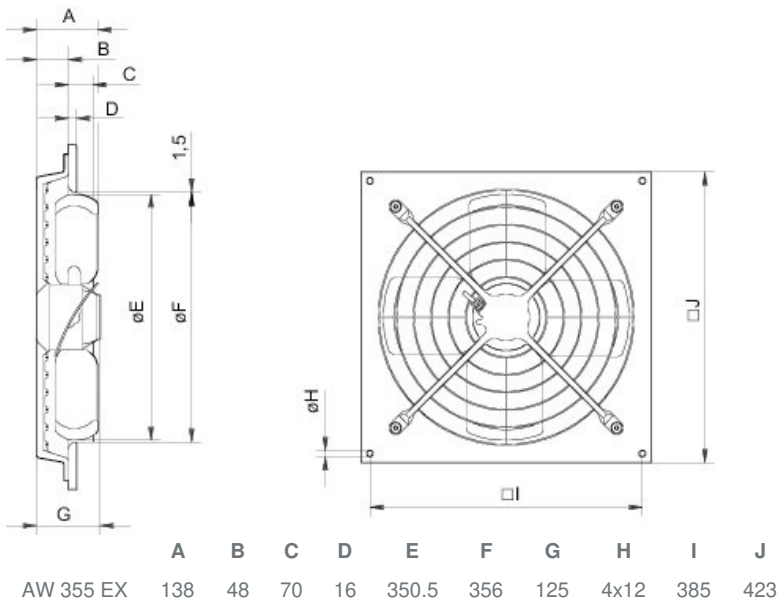


Hydraulic data

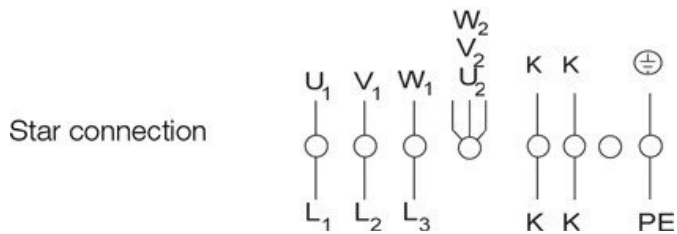
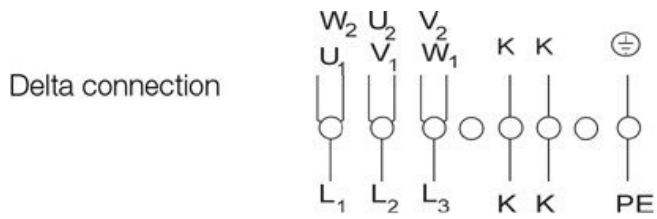
Required air flow	0.50 m³/s
Required static pressure	78 Pa
Working air flow	0.50 m³/s
Working static pressure	78 Pa
Air density	1.204 kg/m³
Power	137.6 W
Fan control - RPM	1437 rpm
Current	0.31 A
SFP	0.273 kW/m³/s
Control voltage	400.0 V
Supply voltage	400 V

Sound power level		63	125	250	500	1k	2k	4k	8k	Total
Inlet	dB(A)	38	52	64	60	64	62	56	49	69

Dimension



Wiring



U1	brown
V1	blue
W1	black
U2	red
V2	grey
W2	orange
K	white
PE	green/yellow

Test-voltage on temperature sensor max. 2,5V.

Accessories

- REV-5POL/07-7,5kW R/Y (33980)
- RTRD 2 Speed Cont. Systemair (5941)
- U-EK230E Motor protection (30199)
- REV-9POL/12-7,5kW R/Y (33981)
- RTRDU 2 Speed contr. Systemair (5945)
- REV-3POL/ATEX-11kW R/Y (36414)

Documents

- imo_fans_atex_en_004
- 1.SUPP_ZELM 05 ATEX 0279X_EN.PDF
- Zelm_05_ATEX0279.pdf
- EU_DECLARATION_OF_CONFORMITY_ALL_009_314830.PDF

Specification

The box is made out of electroplated steel plate, powder- coated. Including protection guard. The installation is possible in each fitting position. The fan has an axial impeller with airfoils made out of electroplated, powder- coated steel plate. The actuation is carried out by an explosion- proofed, speed- controllable external rotor motor with completed barretter. A D/Y- capability of connection allows an double- rotation operation of the motor. For annealing the motor is situated inside the air flow. Impeller according to VDI 2060, quality class Q 6,3 and dynamically weigh heavy in two levels. Tested according to ATEX- Guideline 94-9-EG. For the extraction of potentially explosive atmosphere of zone 1, category 2G and zone 2, category 3G. The fans are in zone 1, 2 and for the temperature levels T1, T2 and T3 applicable. The explosion group is "e" elevated safety Eexe II, T3. Appurtenances for the Ex- fan is available on enquiry.