

AW 400E4-L sileo Axial fan

Axial fan

Item Number: 34164

Variant: 230V 1~ 50Hz

speed controllable by voltage reduction, plus option of 2-step operation by D/Y switching for 400V versions

inlet protection guard

safe and maintenance free operation

can be installed in any mounting position

electric connection via terminal box mounted on the motor

single phase fans are supplied with capacitor

Axial fans of the AW sileo range do have a bionic shape of the fan blade, and

are driven by external rotor motors. The AW range is equipped with a square wall plate, galvanized steel and powder coated in black (RAL9005). The protection guard at the inlet side is powder coated in black. The axial impeller is manufactured from black high efficiency composite material. The impeller is balanced dynamically in two levels in accordance with DIN ISO 1940 part 1, quality G6.3.

The motors are equipped with thermal contacts for motor protection, with leads to be connected to a motor protection unit, for example Systemair unit S-ET.



Technical parameters

Nominal data		
Voltage (nominal)	230	V
Frequency	50	Hz
Phase(s)	1~	
Motor circuit connection	D	
Input power	260	W
Input current	1.15	A
Impeller speed	1,320	rpm
Air flow	max 1.226	m ³ /s
Capacitance of capacitor	5	µF
Temperature of transported air	max 55	°C
Max temperature of transported air, when speed controlled	55	°C
Sound data		
Sound pressure level at 1m	66	dB(A)
Protection/Classification		
Enclosure class, motor	IP54	
Insulation class	F	
Data according to ErP		
ErP ready	ErP 2018	
Dimensions and weights		
Weight	8.7	kg

Others

Color name, casing

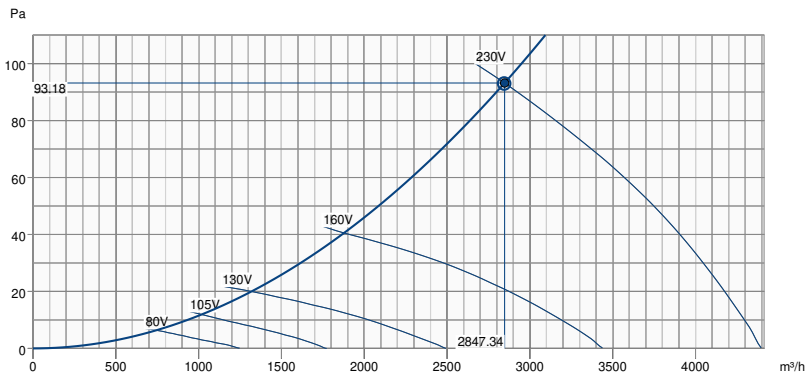
Black

Motor type

AC

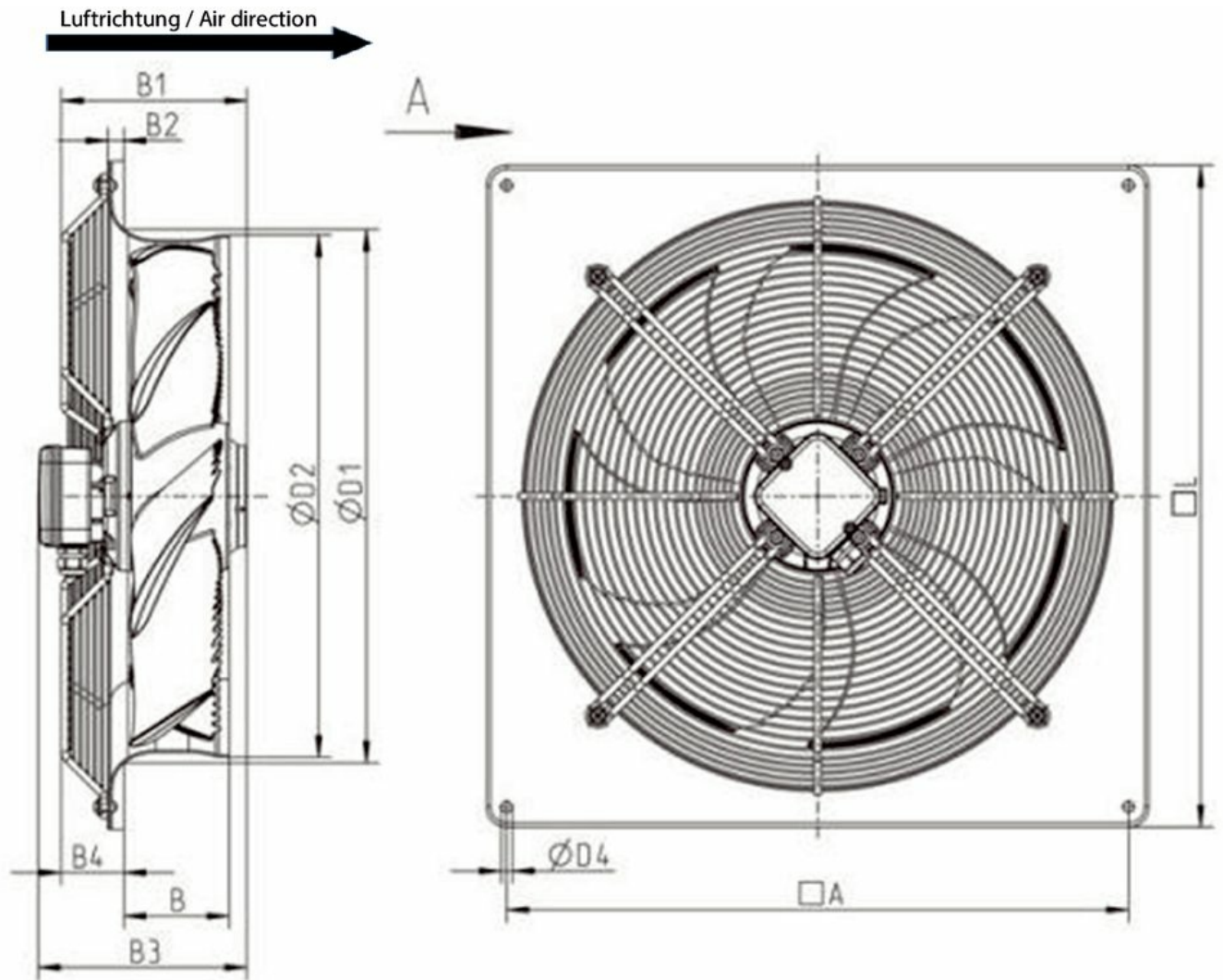
Performance

Performance curve



Hydraulic data	
Required air flow	2844.50 m³/h
Required static pressure	93 Pa
Working air flow	2847.34 m³/h
Working static pressure	93 Pa
Air density	1.204 kg/m³
Power	257.1 W
Fan control - RPM	1322 rpm
Current	1.10 A
SFP	0.325 kW/m³/s
Control voltage	230.0 V
Supply voltage	230 V

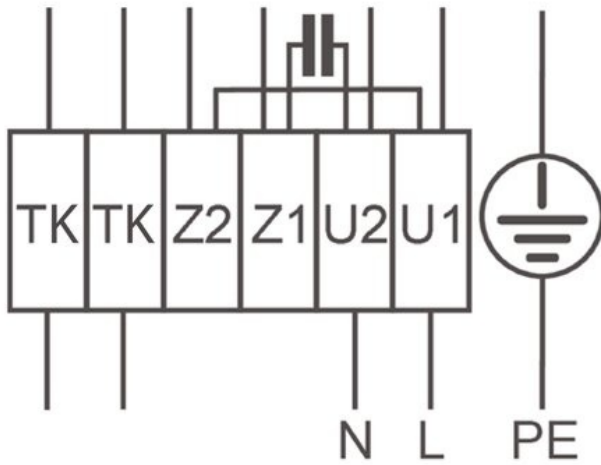
Dimension



	□A	B	B1	B2	B3	B4	∅D1	∅D2	∅D4	□L
AW 400DV-L	490	88	146	12	182	54	420	412	9	540
AW 400E4-L	490	88	146	12	182	54	420	412	9	540

Wiring

Linkslauf
Counter Clockwise rotation
Rotation à gauche



Accessories

- AWE-SK Motorprotection 2A/230V (5138)
- REU 1.5 Speed control (5004)
- RTRE 1,5 Speed control (5008)
- RAW 400/450 Roof Cowl c/w BG (86511)
- REE 2 Speed control (5316)
- REV-5POL/05-7,5kW R/Y (33979)
- SG AW-D BGr 040, RAL 9005 (30601)
- VK-40 Louvre shutter (5643)

Documents

- BAL-AXIAL-SILEO-SYSTEMAIR-08-2013.PDF
- UKCA-declaration of conformity_AXC_002.pdf
- installation variations_1_AR_AW.pdf

Specification

The box with a quadratic wall plate made out of electroplated steel plate is powder- coated and black. The protection guard is included. The fan can be installed in each fitting position. The axial impeller with airfoil made out of electroplated steel plate is coated black. The actuation is carried out by a maintenance- free, speed- controlled external rotor motor. The fan is speed- controllable by a thyristor or a transformer alternatively at a 400V- Construction a 2- stepped operation trough a D/Y- Connection is also possible. For protecting the motor integrated thermostat relays with completed lines to a motor protection device are built in. . For annealing the motor is situated in the air flow. Impeller according to VDI 2060, quality category Q6,3 and dynamically weigh heavy in to levels