

AW 630E6 sileo Axial fan

Axial wall fan

Item number: 37414

Variant: 230V 1~ 50Hz - D (Delta)

- Speed controllable via voltage reduction or, with 400V version, also 2-stage operation possible via D/Y switching
- Contact protection grille on the inlet
- Reliable and maintenance-free
- Can be installed in any position
- Electrical connection via terminal box, permanently mounted on motor
- For 1~ fans, capacitor included in terminal box

Axial fans of the AW sileo series have a bionically designed blade geometry and are driven by external rotor motors. AW fans have a square wall ring plate made of galvanised sheet steel. The black painted axial impellers are made of aluminium. Impeller dynamically balanced in 2 planes according to DIN ISO 1940 part 1, quality class G6.3. For motor protection, the fans are equipped with thermostatic switches with lead-out cables for connection to a motor protection device, e.g. S-ET. Motor cooling through arrangement of the motor within the air flow.



Technical parameters

Nominal data		
Voltage (nominal)	230	V
Frequency	50	Hz
Phase(s)	1~	
Motor circuit connection	D	
Input power	600	W
Input current	2.8	A
Impeller speed	920	r.p.m.
Air flow	max ; 10,624;	m³/h
Air flow at max. efficiency	6,958	m³/h
Specific ratio	1,000000	
Capacitance of capacitor	14	µF
Temperature of transported air	max 70	°C
Max temperature of transported air, when speed controlled	70	°C
Sound data		
Sound pressure level at 1m	67	dB(A)

Protection/Classification

Enclosure class, motor	IP54
Insulation class	F

Data according to ErP

ErP ready	ErP 2018
Measurement category	A
Efficiency grade	45.6 η_{actual}
Efficiency, static	37.7 η_{statA}
Target efficiency grade ErP2013	36 $\eta_{\text{target2013}}$
Target efficiency grade ErP2015	40 $\eta_{\text{target2015}}$

Dimensions and weights

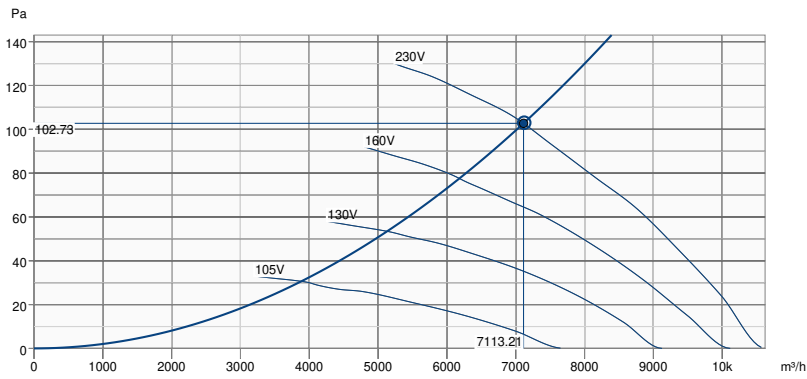
Weight	26.5 kg
--------	---------

Others

Color name, casing	Black
Motor type	AC

Performance

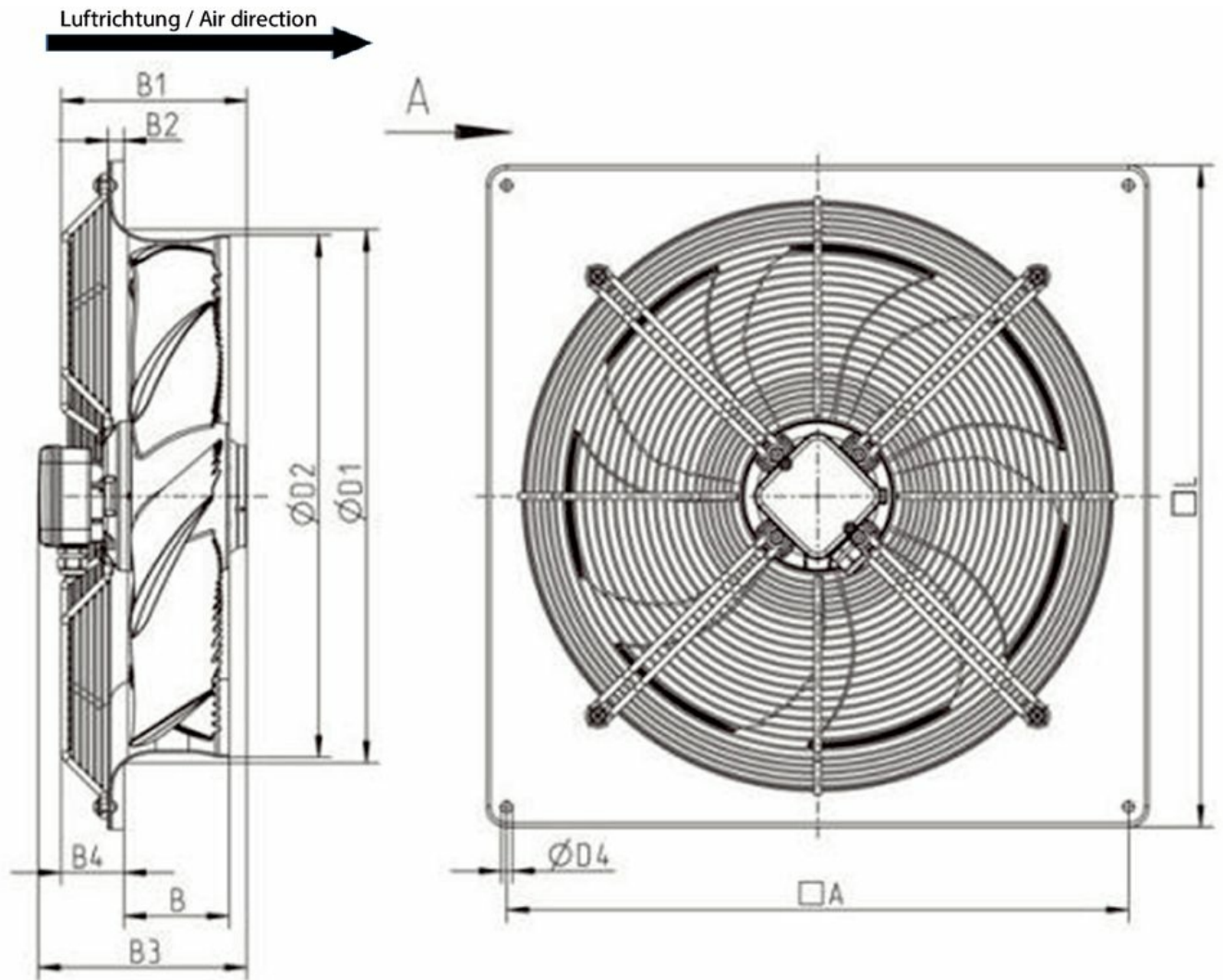
Performance curve



Hydraulic data	
Required air flow	7123 m³/h
Required static pressure	103 Pa
Working air flow	7113 m³/h
Working static pressure	103 Pa
Air density	1.204 kg/m³
Power	566.1 W
Fan control - RPM	924 rpm
Current	2.61 A
SFP	0.286 kW/m³/s
Control voltage	230.0 V
Supply voltage	230 V

Sound power level		63	125	250	500	1k	2k	4k	8k	Total
Inlet	dB(A)	21	39	52	62	72	73	68	56	76
Outlet	dB(A)	22	39	53	62	71	72	66	55	75

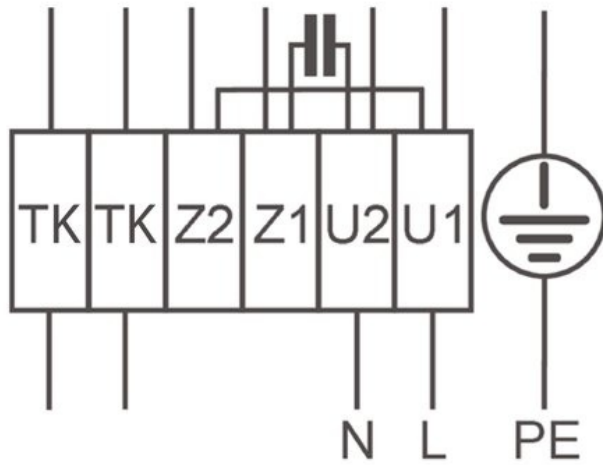
Dimension



	□A	B	B1	B2	B3	B4	ØD1	ØD2	ØD4	□L
AW 630	750	130	225	20	246	50	664	643	11	805

Wiring

Linkslauf
Counter Clockwise rotation
Rotation à gauche



Ecodesign

Ecodesign 327	
Manufacturer	Systemair GmbH, Seehöfer Str. 45, DE-97944 Boxberg, Amtsgericht (court of registration) Mannheim, HRB 560437
Type	AW 630E6
Year of manufacture	See name plate of the fan
Air flow qv	6,958 m ³ /h
Efficiency category	static
Efficiency grade N	45.6
Efficiency grade target N	40
Speed (rpm) n	923 r.p.m.
Pressure increase total psf	106 Pa
Power consumption Ped	570 W
Overall efficiency	37.7 %
Variable speed drive	No
Additional components	Components used to calculate the energy efficiency that are not apparent from the measurement category are detailed in the CE declaration.
Maintenance	Information on installation, operation and maintenance is provided in the operating instructions.
Recycling / disposal	Information on recycling and disposal is provided in the operating instructions.

Accessories

- REE 4 Speed control (5317)
- REV-5POL/05-7,5kW R/Y (33979)
- S-ET 10 Motor Protection (161199)
- VK-63 Louvre shutter (87704)
- REU 5 Speed control (5006)
- RTRE 5 Speed control (5010)
- SG AW-D BGr 065, RAL 9005 (30605)
- VK-63 Louvre shutter (5651)

Documents

- L-BAL-001-SYSTEMAIR.PDF
- EU-Declaration_of_conformity_en_005
- installation_variations_1_AR_AW.pdf