

KTEX 50-30-4 Rect.fan (ATEX)

Centrifugal fan, explosion proof, II 2G Ex eb IIB+H2 T3 Gb

Item Number: 19404

Variant: 400V 3~ 50Hz

- Certified according to ATEX_x000D_
- Speed controllable_x000D_
- Integral thermistors (PTC *)_x000D_
- Maintenance-free and reliable_x000D_

KTEX fans can be installed in any position and are easy to connect using the DS flexible connections. These fans have impellers with forward-curved blades and external rotor motors. The casing is manufactured from galvanised sheet steel, with a copper inlet cone._x000D_

To protect the motor from overheating, these fans have integral thermistors (PTC) with external leads which must be connected to the U-EK230E motor protection relay._x000D_

Explosion proof versions comply with EN 50014, EN 50019, EN 1127-1 and EN 13463-1. Improved safety in accordance with EEx e II T3. ex II 2G_x000D_

* Positive Temperature Coefficient



Technical parameters

Nominal data		
Voltage (nominal)	400	V
Frequency	50	Hz
Phase(s)	3~	
Input power	888	W
Input current	1.77	A
Impeller speed	1,359	rpm
Air flow	max 0.709	m³/s
Minimum static back pressure	40	Pa
Temperature of transported air	max 40	°C
Max temperature of transported air, when speed controlled	40	°C
Sound data		
Sound pressure level at 3m (20m² Sabin)	57	dB(A)

Protection/Classification

Enclosure class, motor	IP44
Insulation class	F
Explosion proof marking	Ex eb h IIB + H2 T3 Gb
Certificate	Presafe 17ATEX9970X

Data according to ErP

ErP ready	Not ErP relevant
-----------	------------------

Controller and Sensors

Ambient and duct temperature	-20 to 40 °C
------------------------------	--------------

Dimensions and weights

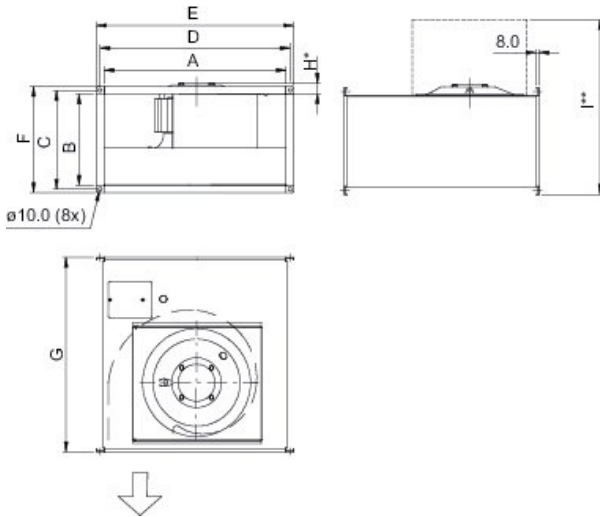
Duct dimension, inlet (height x width)	300 x 500 mm
Duct dimension, outlet (height x width)	300 x 500 mm
Weight	22.8 kg

Others

Duct connection type	Rectangular
Motor type	AC

Performance

Dimension



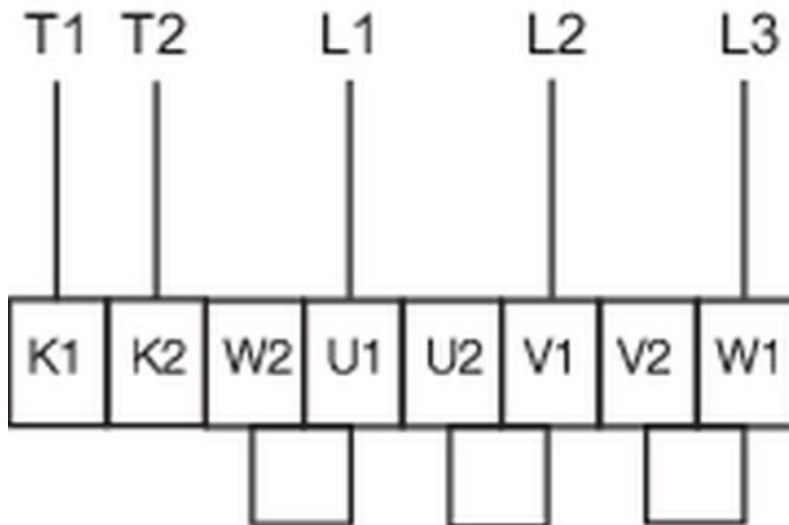
H* = Dimensions from the engine bolts

I** = Dimension with fully open hatch.

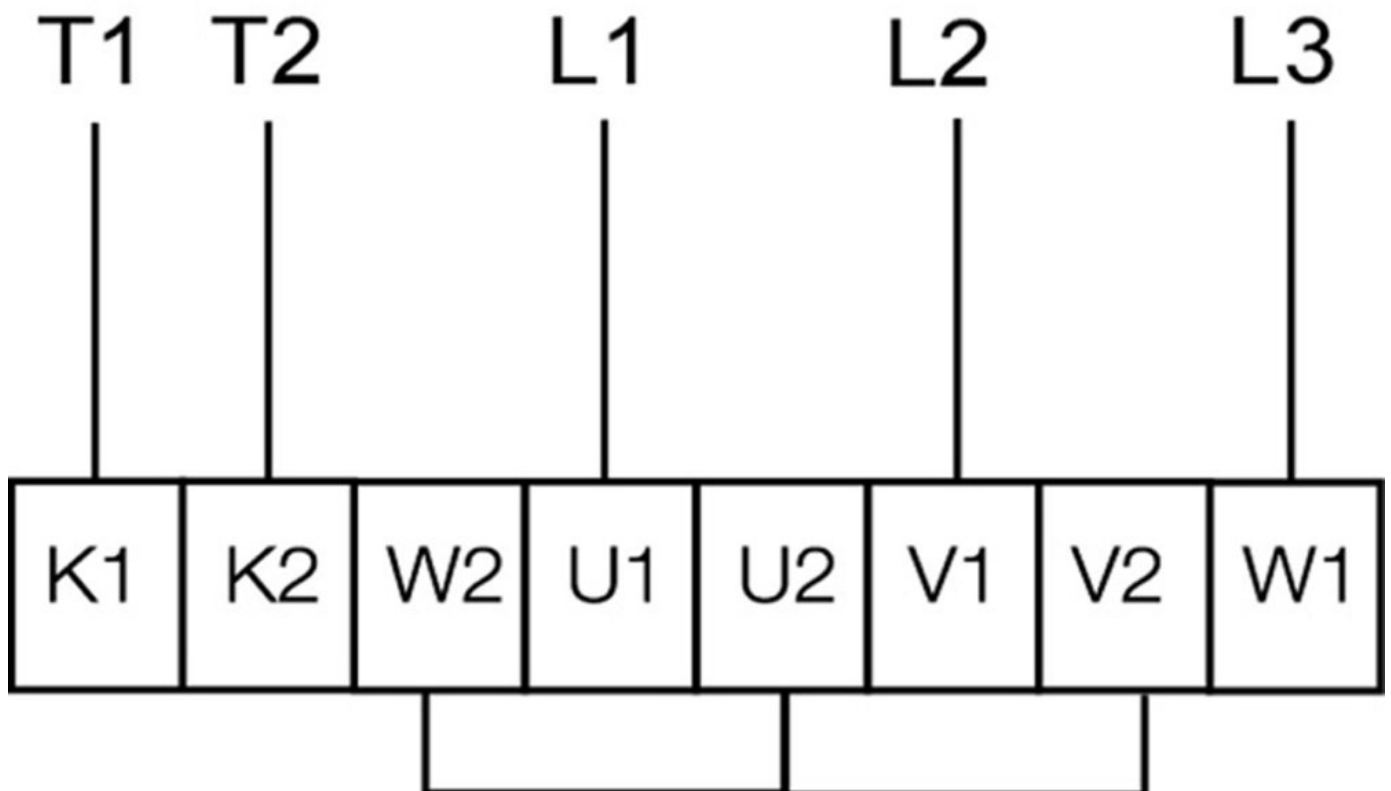
	A	B	C	D	E	F	G	H*	I**
KTEX 50-25	498	248	270	520	540	290	532	34,5	610
KTEX 50-30	498	298	320	520	540	340	562	34,5	695
KTEX 60-30	598	298	320	620	640	340	642	52	715
KTEX 60-35	598	348	370	620	640	390	717	54,5	805
KTEX 70-40	698	398	420	720	740	440	787	50	900

Wiring

230V3~ (D)



400V3~ (Y)



Accessories

- R-DK4 KT Transformer (302568) (6051)
- RTRDU 4 Speed contr. Systemair (5946)
- REV-3POL/ATEX-11kW R/Y (36414)
- LDR 50-30 Silencer (5071)
- RTRD 4 Speed cont. Systemair (5942)
- U-EK230E Motor protection (30199)
- FFK 50-30 Filter cassette rect (1755)
- DS-EX 50-30 Flex. connection (4117)

Documents

- IMO(CE)_DKEX-KTEX.pdf
- Presafe 17 ATEX 9970X_KTEX_DKEX.PDF
- Presafe_Production Quality_16 ATEX 8871Q_issue 1.PDF

Specification

Circular duct fan for easy and direct installation in ducts. Galvanized steel sheet housing. Copper inlet cone. Service cover. The fan unit is mounted on the service cover for easy cleaning and maintenance. Free-running, forward curved circular impeller made of galvanized steel sheet. Impeller acc. to VDI 2060, balancing quality G 6.3, dynamically balanced in two planes. Explosion proof, voltage controllable external rotor motor. (IP44), maintenance-free, the motor is placed inside the air flow for cooling. PTC with leads to a motor protection device (e.g. Systemair U-EK 230E-IP54). Speed-controlled via a 5-step transformer. Supply cable, led out. For indoor installation. Installation in any mounting position.

Explosion proof versions comply with EN 60079-7:2015, EN 14986:2007, EN 60079-0:2012. Improved safety in accordance with Suitable to transport explosive atmospheres. Tested acc. to ATEX Directive 2014/34/EU.