

KVK Slim 160

Centrifugal circular duct fan

Item number: [92142](#)

Variant: 230V 1~ 50Hz



- Slim design, easy to install
- Easy maintenance, service cover
- Low sound level, insulated cover
- High efficiency and low SFP in a real working point
- Speed-controllable
- Simple to install, mounting brackets included
- Integrated motor protection
- Aluzinc casing, C4 corrosion class

KVK Slim is a box fan with circular duct connections. The lid is insulated to keep a low sound level. The fan can be installed in any position. The casing is manufactured from Aluzinc in corrosion class C4. A service cover with screw connection makes it easy to open for service and cleaning.

KVK Slim can be demand controlled via sensors and controllers for CO₂, temperature, humidity, presence indication and VAV or manually speed controlled via a stepless thyristor or a 5-step transformer. To protect the motor from overheating, the fans have integral thermal contacts with manual reset (reset by disconnecting the power). The FK mounting clamp (accessory) facilitates easy installation and removal, and prevents the transfer of vibration to the duct.



Technical parameters

Norminal data		
Voltage (nominal)	230	V
Frequency	50	Hz
Phase(s)	1~	
Input power	135	W
Input current	0.59	A
Impeller speed	2,544	r.p.m.
Air flow	max 497	m ³ /h
Capacitance of capacitor	4	µF
Temperature of transported air	max 70	°C
Max temperature of transported air, when speed controlled	70	°C
Sound data		
Sound pressure level at 3m (20m ² Sabin)	43	dB(A)
Protection/Classification		
Enclosure class, motor	IP44	
Insulation class	B	

Data according to ErP

Energy class, Basic unit	F
Energy class, Local demand	C
ErP ready	ErP 2018

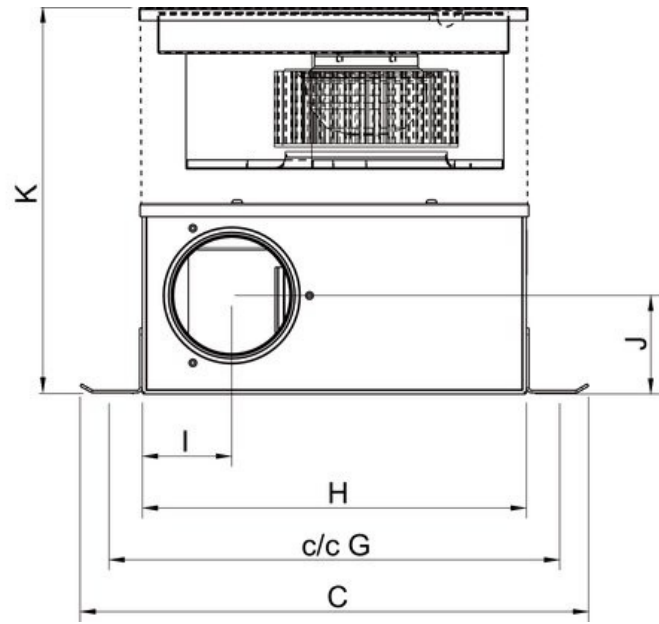
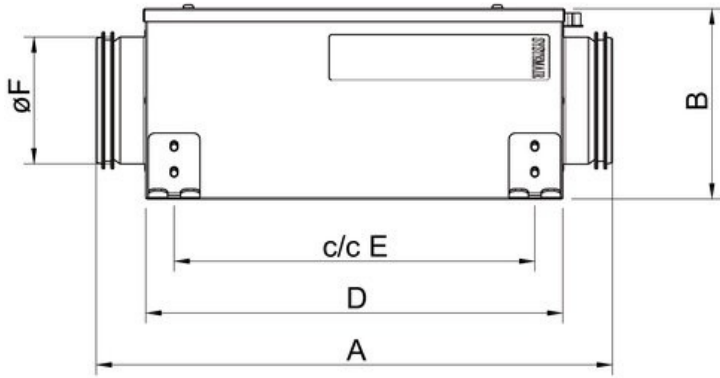
Dimensions and weights

Duct dimension; Circular, inlet	160	mm
Duct dimension; Circular, outlet	160	mm
Weight	6.7	kg

Others

Duct connection type	Circular
Motor type	AC

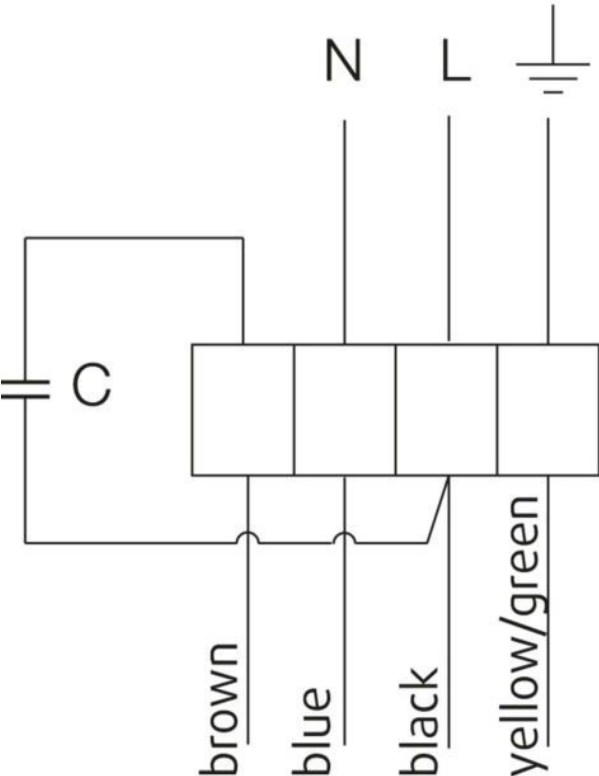
Dimension



	A	B	C	D	E	øF	G	H	I	J	K
KVK Slim 100	400	150	392	325	278	98	348	300	69	76	300
KVK Slim 125	400	150	392	325	278	123	348	300	84	72	300
KVK Slim 160	400	185	392	325	278	158	348	300	99	90	370
KVK Slim100 EC	400	150	392	325	278	98	348	300	69	76	300
KVK Slim120 EC	400	150	392	325	278	123	348	300	84	72	300
KVK Slim160 EC	400	185	392	325	278	158	348	300	99	90	370

Wiring

230V 1~



Ecodesign

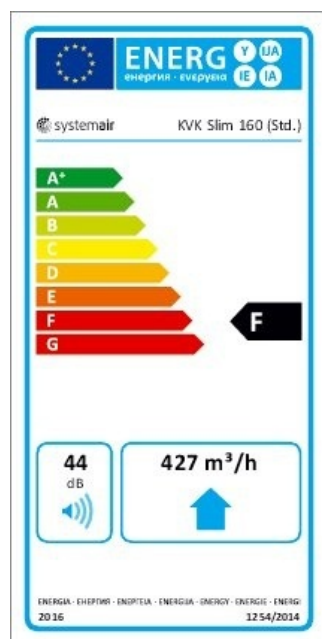
Product	
Trade name	Systemair
Product name	KVK Slim 160
Basic unit	
ErP compliance	2016
SEC Average	-8.8 kWh/(m ² .a)
SEC Cold	-25.2 kWh/(m ² .a)
SEC Warm	0.5 kWh/(m ² .a)
SEC Class	F
Unit category	RVU
Unit type	UVU
Drive	External MSD or VSD
Heat recovery type	None
Temperature ratio (UVU)	Not applicable
qv max	428 m ³ /h
P max	127 W
Sound power level LWA	44 dB(A)
qv ref	0.083 m ³ /s
Ps ref	50 Pa
SPI	0.265 W/(m ³ /h)
CTRL	1
MISC	1.1
x-value	2
External Leakage	5 %
AEC average	332.1 kWh
AHS Cold	332.1 kWh
AEC warm	332.1 kWh
AHS Average	1,715.2 kWh/a
AHS Cold	3,355.3 kWh/a
AHS Warm	775.6 kWh/a

Units with local demand control

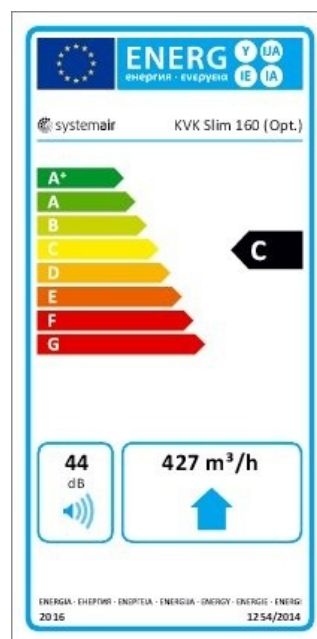
ErP compliance	2018
SEC Average	-24.8 kWh/(m ² .a)
SEC Cold	-51.9 kWh/(m ² .a)
SEC Warm	-9.3 kWh/(m ² .a)
SEC Class	C
Unit category	RVU
Unit type	UVU
Drive	External MSD or VSD
Heat recovery type	None
Temperature ratio (UVU)	Not applicable
qv max	427 m ³ /h
P max	127 W
Sound power level LWA	44 dB(A)
qv ref	0.0831 m ³ /s
Ps ref	50 Pa
SPI	0.265 W/(m ³ /h)
CTRL	0.65
MISC	1.1
x-value	2
External Leakage	5 %
AEC average	140.3 kWh
AEC cold	140.3 kWh
AEC warm	140.3 kWh
AHS Average	2,830 kWh/a
AHS Cold	5,536.2 kWh/a
AHS Warm	1,279.7 kWh/a

Energy class label

Energy class, Basic unit



Energy class, Local demand



Accessories

- [FRQ5S-E-6A \(37421\)](#)
- [RE 1,5 Speed control \(5000\)](#)
- [REU 1.5 Speed control \(5004\)](#)
- [SG 160 Protection guard \(5608\)](#)
- [DTV500A \(96807\)](#)
- [Safety switch 2-pole grey \(210679\)](#)
- [CB 160-2,1 230V/1 Duct heater \(5292\)](#)
- [CB 160-5,0 400V/2 Duct heater \(5383\)](#)
- [CBMF 160-2,1 230V/1 Duct heater \(12244\)](#)
- [FFR 160 Filter cassette \(1770\)](#)
- [FK 160 Fast clamp \(1610\)](#)
- [LDC 160-600 Silencer \(5192\)](#)
- [RSK-160 Back draft damper \(5601\)](#)
- [VBC 160-3 Water heating batt \(9840\)](#)
- [IGK-160 Wall Grid \(1632\)](#)
- [REE 1 Speed control \(5314\)](#)
- [REV-3POL/03 ON/OFF \(33978\)](#)
- [VKK-160 Back draft damper \(1625\)](#)
- [FRQS-E-6A \(37419\)](#)
- [CB 160-1,2 230V/1 Duct heater \(5291\)](#)
- [CB 160-2,7 230V/1 Duct heater \(5382\)](#)
- [CBM 160-2,1 230V/1 Duct heater \(5482\)](#)
- [CWK 160-3-2,5 Duct cooler,circ \(30022\)](#)
- [FGR 160 Filter cassette \(1809\)](#)
- [LDC 160-300 Silencer \(53108\)](#)
- [LDC 160-900 Silencer \(5193\)](#)
- [VBC 160-2 Water heating batt \(5458\)](#)
- [VBF 160 Water heating battery \(1731\)](#)

Documents

- [Fans_Operating and Maintenance_instr_202341_CE_multilingual.pdf](#)

Specification

KVK slim 160 Circular duct fan DN 160, 230V/50Hz, 1~, sound insulated Centrifugal circular duct fan designed for easy and direct installation in ducts, single inlet. Single skin, galvanised sheet steel housing. Double wall cover, mineral wool insulation 40 mm, removable incl. fan unit for cleaning and maintenance. Forward curved centrifugal impeller made of plastic. Impeller acc. to VDI 2060, balancing quality G 6.3, dynamically balanced in two planes. Voltage controllable external rotor motor (IP44), maintenance-free, the motor is placed inside the air flow for cooling. Integral thermal contacts with automatic reset acc. to EN 60335-2-80, speed-controlled by voltage reduction via transformer or thyristor. Equipped with a supply cable, length=1.80m. For extract and supply air. Very low installation height. Installation in any mounting position. For indoor installation. PRODUCT: SYSTEMAIR TYPE: KVK slim 160 Item no. 92142