

MUB 062 560D4 Multibox

Centrifugal box fan, insulated, flexible outlet

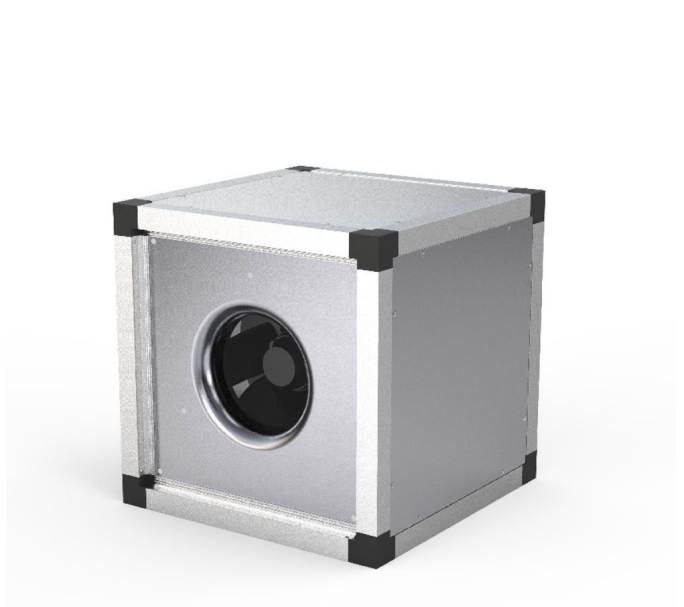
Item Number: 235397

Variant: 400V 3~ 50Hz - 90° air flow



- High efficient motor
- Speed-controllable via frequency converter
- Integral cold conductor (PTC)
- Low sound level
- Flexible airflow direction due to removable panels
- Installation in any mounting position
- Easy to maintain and reliable

The MUB fan are equipped with high efficient motors. The MUB fans have an impeller with backward curved blades, manufactured from aluminum. Speed control is only possible by using a frequency converter. Motor protection is done by cold conductors (PTC), which have to be connected to an external motor protection device. The casing consists of an aluminum frame with fiberglass reinforced plastic corners of PA6; highly shock-resistant. The double skin panels are manufactured from galvanized steel with 30 mm mineral wool insulation. To avoid condensation the profile is provided with a separate chamber to fix screws. The Multibox fans are delivered for straight through airflow but can easily be rebuilt due to removable panels. This allows flexible ventilation solutions. The MUB can also be used as extract- or supply air unit in air handling units. Installation in any mounting position is possible.



MUB with additional modules (filters, heaters etc.) are available as air handling units "K025, K042 or K062" on request!

Technical parameters

Nominal data		
Voltage (nominal)	400	V
Frequency	50	Hz
Phase(s)	3~	
Input power	2,499	W
Input current	4.49	A
Impeller speed	1,456	r.p.m.
Air flow	max 3.282	m³/s
Temperature of transported air	max 40	°C
Max temperature of transported air, when speed controlled	40	°C

Protection/Classification

Enclosure class, motor	IP55
------------------------	------

Insulation class	F
------------------	---

Data according to ErP

ErP ready	ErP 2018
-----------	----------

Dimensions and weights

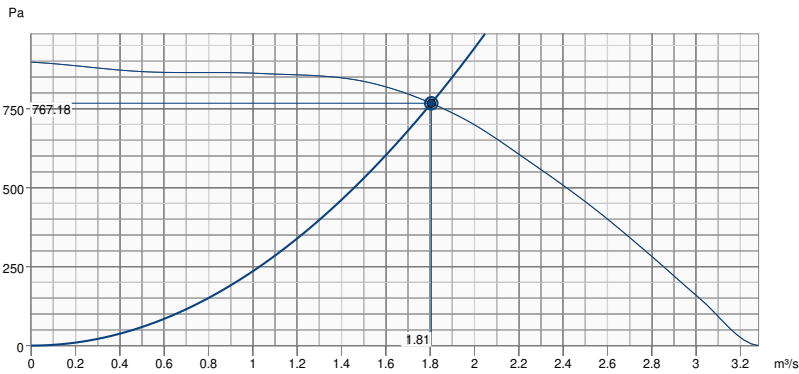
Weight	96.5 kg
--------	---------

Others

Motor type	AC
------------	----

Performance

Performance curve



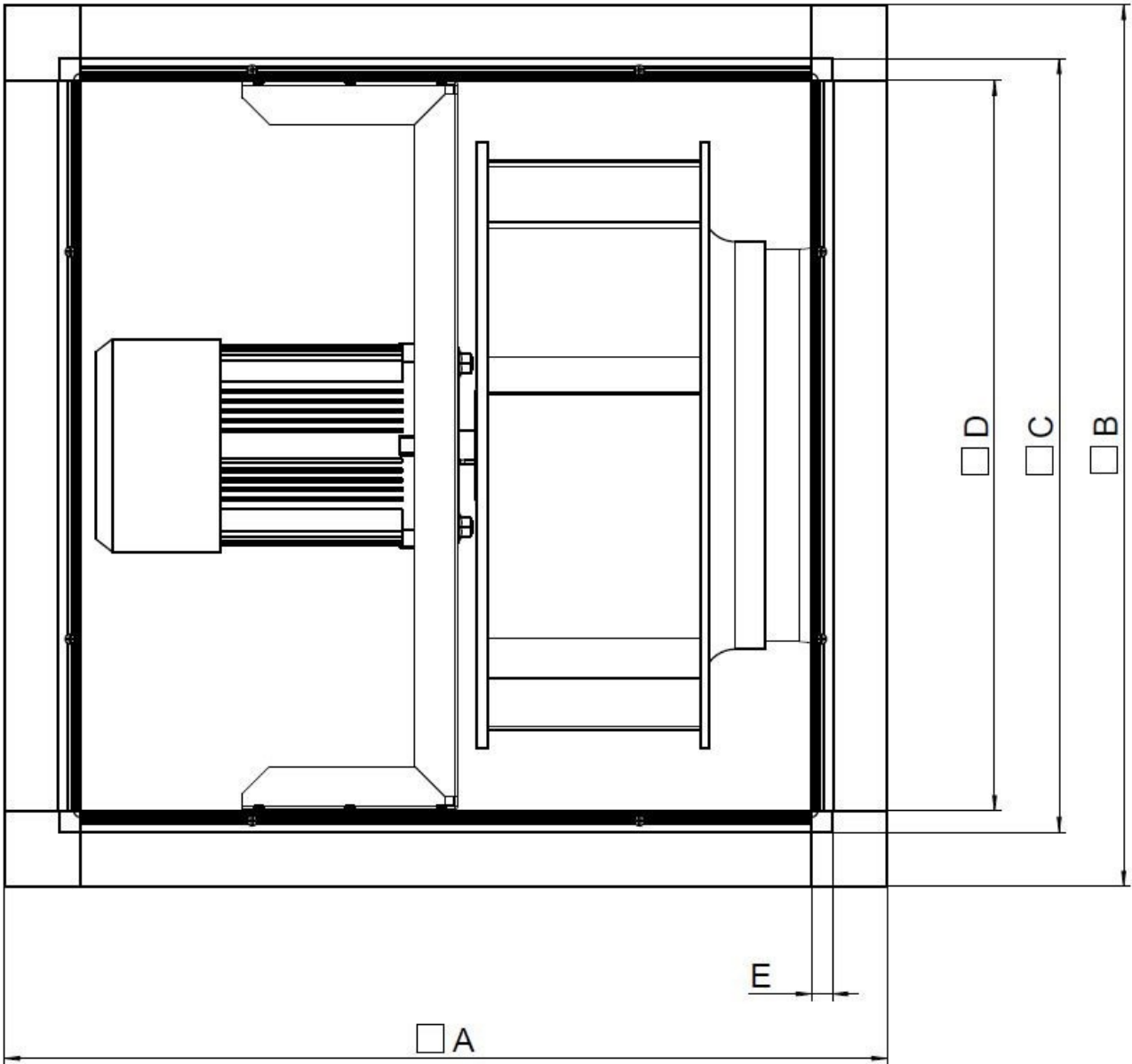
Hydraulic data

Required air flow	1.80 m ³ /s
Required static pressure	767 Pa
Working air flow	1.81 m ³ /s
Working static pressure	767 Pa
Air density	1.204 kg/m ³
Power	2465.2 W
Fan control - RPM	1457 rpm
Current	4.44 A
SFP	1.366 kW/m ³ /s
Control voltage	400.0 V
Supply voltage	400 V

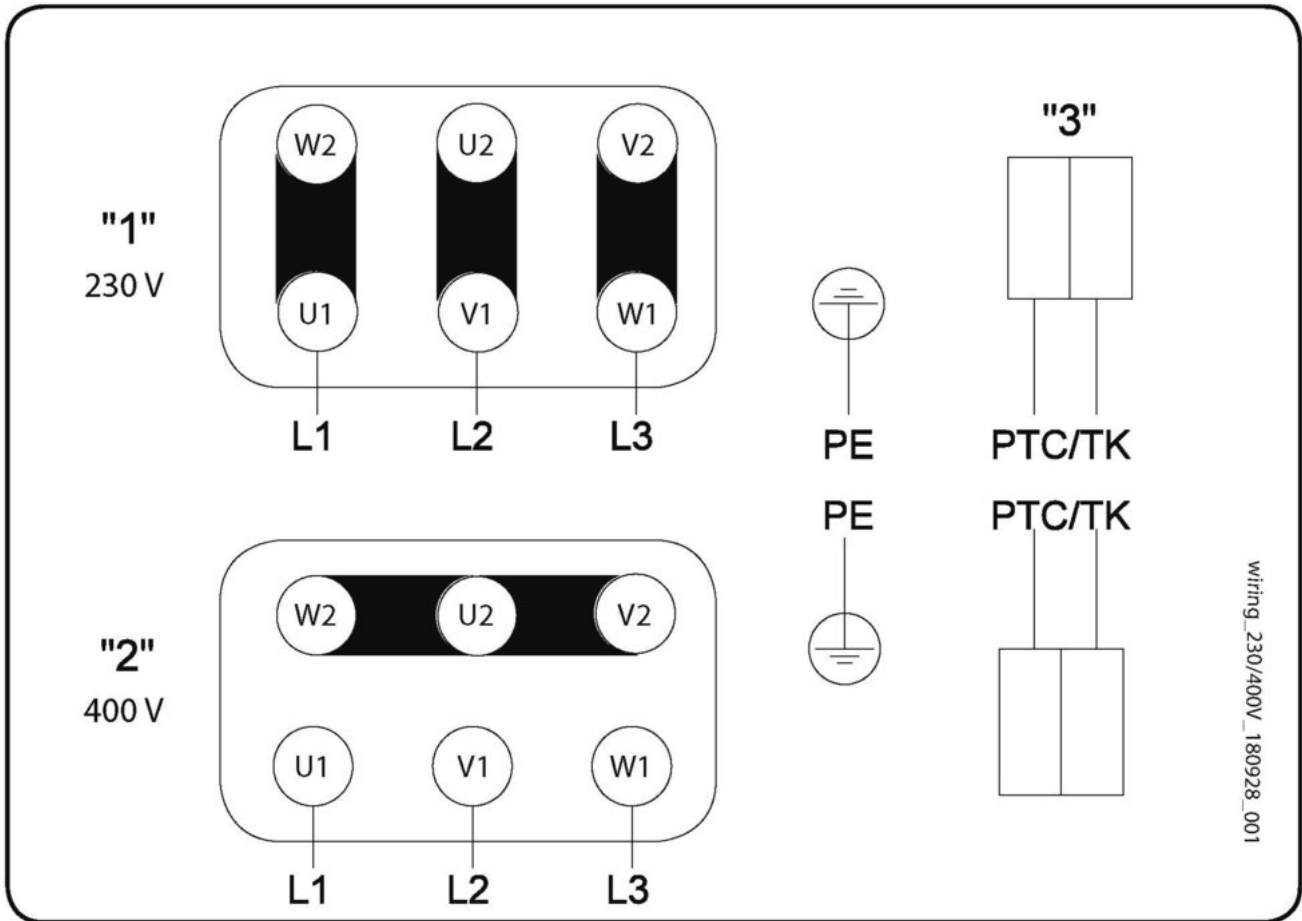
Sound power level		63	125	250	500	1k	2k	4k	8k	Total
Inlet	dB(A)	50	69	72	76	77	75	73	64	82
Outlet	dB(A)	51	70	74	78	79	76	74	66	84
Surrounding	dB(A)	30	53	45	44	47	46	40	29	55
Sound pressure level at 3m (20m ² Sabine)	dB(A)	-	-	-	-	-	-	-	-	48
Sound pressure level at 3m free field	dB(A)	-	-	-	-	-	-	-	-	34

Dimension

MUB 062	□A	□B	□C	□D	E
560/630	820	820	720	678	21



Wiring



wiring_230/400V_180928_001

- 1 3 x 230V Delta Connection
 - 2 3 x 400V Star connection
 - 3 PTC / TK
- Changing of direction of rotation by interchanging of two phases

Acoustic

The Level of Casing-Breakout-Noise depends on the quality of shielding the acoustic inlet and outlet noises.

The shown Level of Casing-Breakout-Noise will be reached only in case of 100 % shielding the acoustic inlet and outlet noise and a correspondingly low environment noise.

Ecodesign

Product	
Trade name	Systemair
Product name	MUB 062 560D4 IE3
Ecodesign	
ErP compliance	2018
Unit category	NRVU
Drive	External MSD or VSD
Unit type	UVU
Heat recovery type	None
Temperature ratio (UVU)	Not applicable
qv nom	1.8 m ³ /s
P nom	2.465 kW
Ps nom	767 Pa
Fan efficiency	56.2 %
External Leakage	5 %
Sound power level LWA	84 dB(A)

Accessories

- FGV 062/716-716 flex. conn. (4198)
- FRQ5-10A+LED V2 (36230)
- FXDM5AM Frequency inv. IP54 (31387)
- SD-MUB Vibration pad set (37324)
- U-EK230E Motor protection (30199)
- WSD 062 (860x860x70) complete (31482)
- REV-5POL/07-EMV-7,5kW R/Y (34549)
- CCM inlet MUB062 d630 (311783)
- CCM outlet MUB062 d630 (311681)
- CCMI outlet 062 d630 KIT 30mm (239096)
- KKC-DX-L 062 cooling section (277262)
- KKC-W-L 062 cooling section (277270)
- KKF 30 062-filter-section (93312)
- KKS 062 silencer-section (276852)
- FRQ-10A V2 (36228)
- FRQ5S-10A+LED V2 (36234)
- REV-5POL/05-7,5kW R/Y (33979)
- TUNE-AHU-DE008-062-718x718-M0 (79882)
- UGS 062/630 adapter flex. (4358)
- FRQS-10A V2 (36232)
- CCM inlet MUB062 d560 (311782)
- CCM outlet MUB062 d560 (311684)
- CCMI outlet 062 d560 KIT 30mm (239095)
- GRU 062 base frame h= 100mm (276662)
- KKC-DX-R 062 cooling section (277266)
- KKC-W-R 062 cooling section (277274)
- KKH-HW 062 heater-section (93340)

Documents

- imo_mub_all_010_en_248056
- UKCA DECLARATION OF CONFORMITY_MUB_EN_[001].PDF
- COMMISSIONING REPORT_FANS_160628_EN_001.PDF