

RT 0-30 Room Thermostat

Electronic

Item Number: 5151

Variant: 230V 1~ 50/60Hz

The RT 0-30 is an electronic room thermostat for indoor wallmounting, with a change-over relay for regulating either heating or cooling. It has an integral sensor, but an external sensor such as the TG-K330 or TG-R630 can also be connected to the thermostat. The RT 0-30 can also be used with other external temperature sensors to achieve different temperature range.



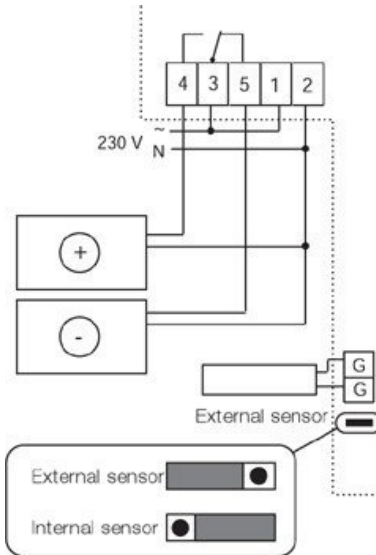
Technical parameters

Nominal data		
Input power	1	W
Temperature adjustment	0 to 30	°C
Protection/Classification		
Enclosure class	IP30	
Controller and Sensors		
Permitted ambient humidity	max 90	%RH
Permitted ambient temperature	0 to 50	°C
Switching capacity	16, 250 V AC	

Dimensions and weights

Depth	30 mm
Height	86 mm
Width	86 mm
Weight	0.1 kg

Wiring



Accessories

- TG-K330 Duct Sensor 0-30°C (5160)
- TG-K360 Duct sensor 0-60°C (4846)
- TG-K350 Duct Sensor 20-50°C (5161)
- TG-R630 External sensor (5164)

Documents

- RT_IMO_GB_SE_DE.PDF
- Decl. of Conformity RT_0-30.PDF