

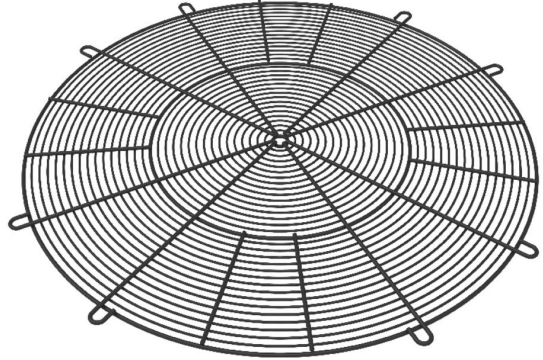
## SG AW 1000 Guard 6 Pole (GFC)

For air handling units

Item number: 3398

Protection guard

Protection guard for inlet side, plastic coated in black (RAL9005) for axial fans of Range AW. Available in different dimensions.



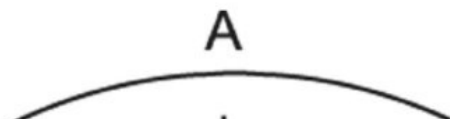
### Technical parameters

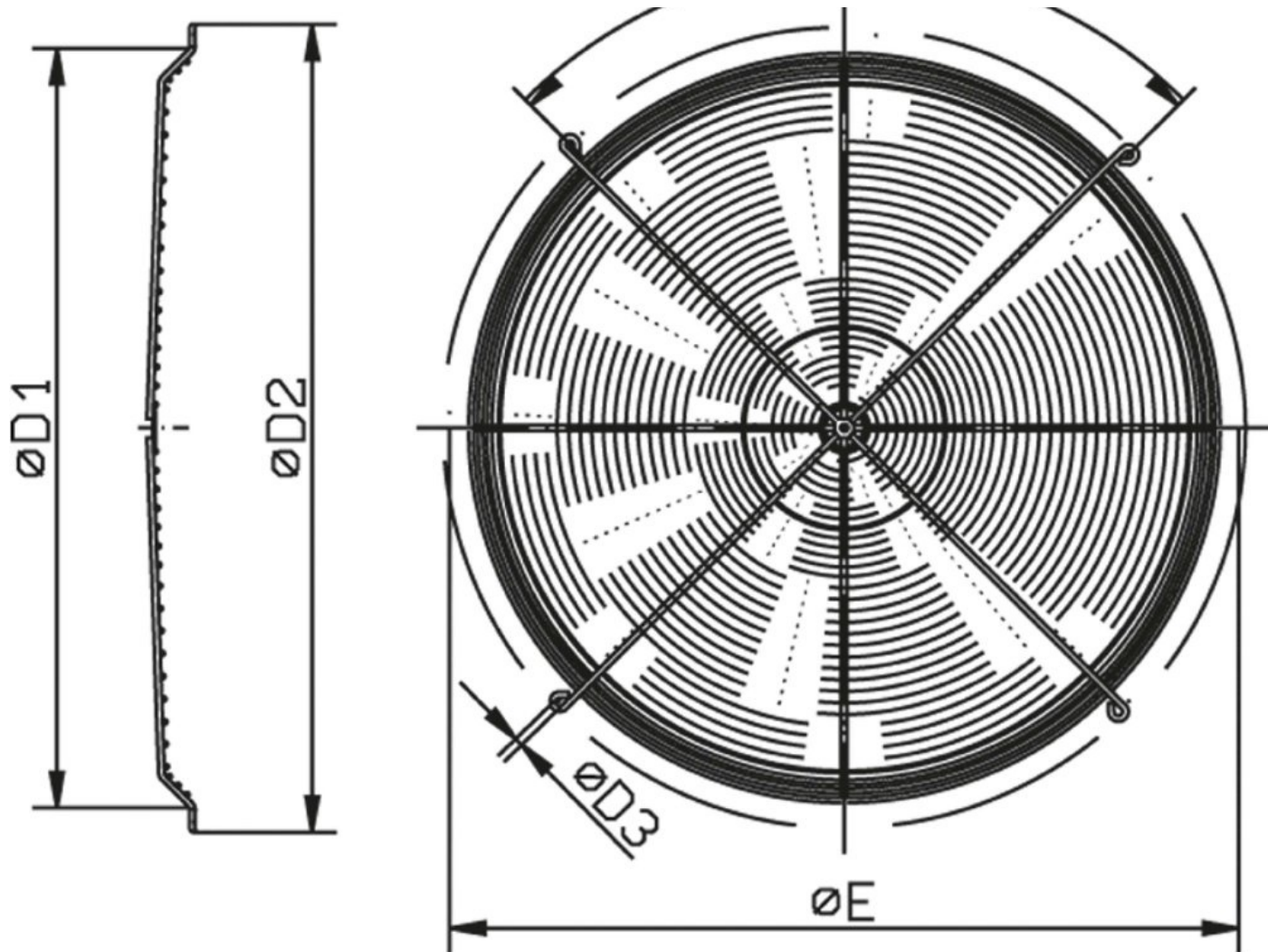
#### Dimensions and weights

Weight

4.6 kg

### Dimension





	A	$\varnothing D1$	$\varnothing D2$	D3	$\varnothing E$
SG-AW 1000	4x90°	1110	1161	9,0	1140

## Documents

- SG...-EG-KONFORMITÄTSEKTLÄRUNG\_DE-EN.PDF