

Step switch S-5EC, 0-10V

10VDC, IP54, 5 steps

Item Number: 76738

Variant: 10V

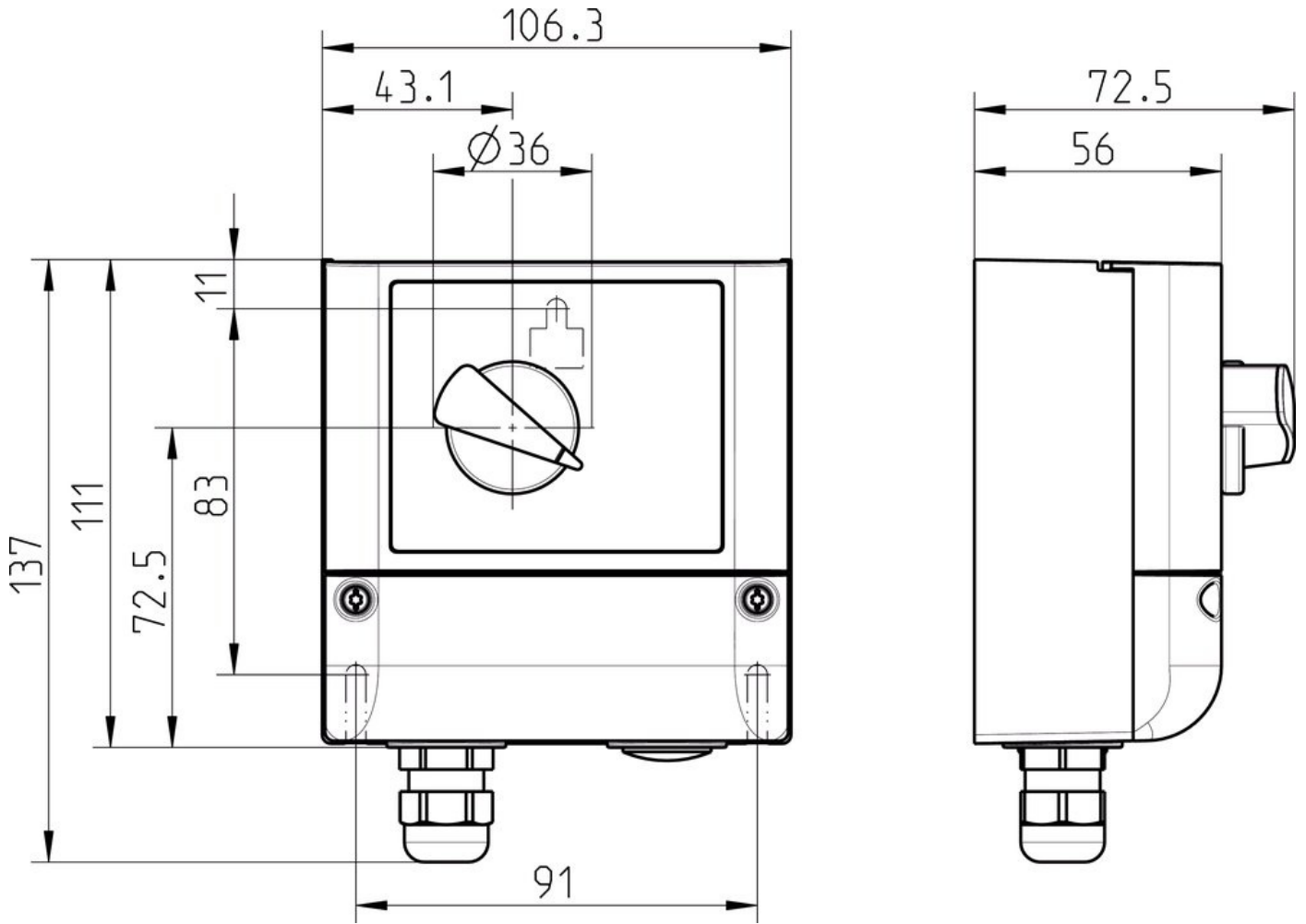
5-step switch (10V/0-10V) with on/off function for surface mounting
 For direct control of EC fans or frequency converters via a 0-10V control input (DC). Including LED for status indication and an additional potentiometer for offset adjustment.



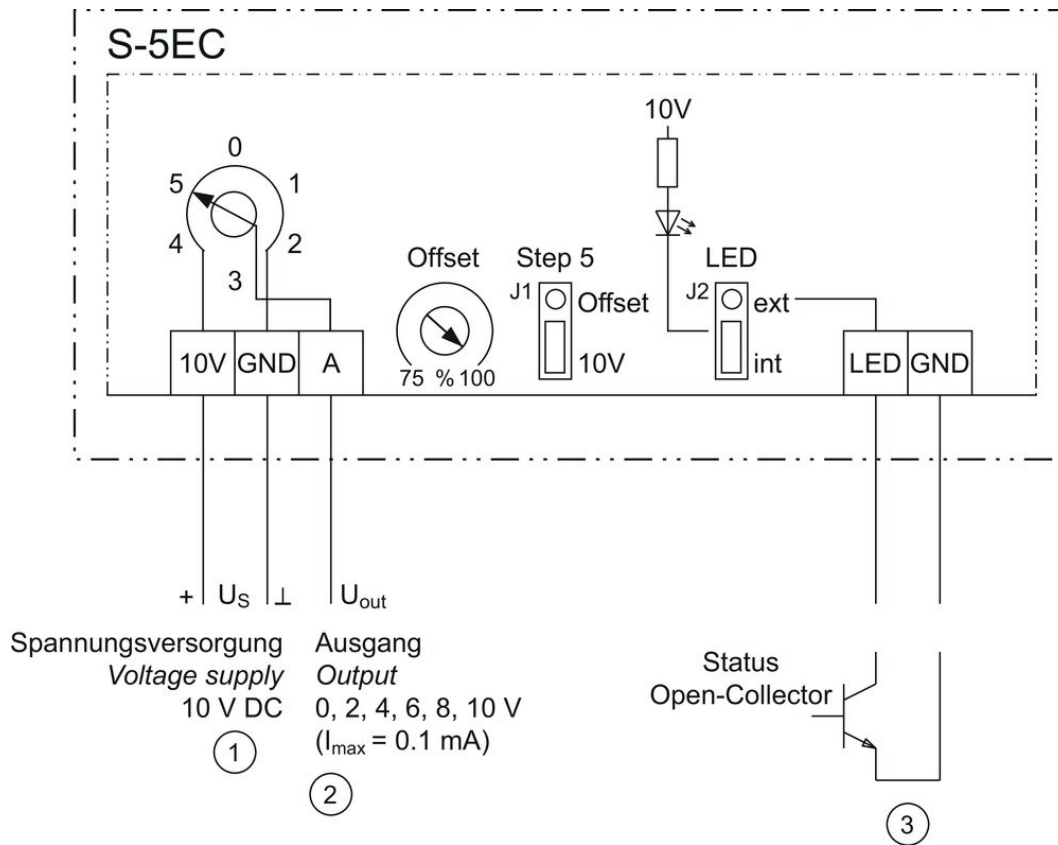
Technical parameters

Nominal data	
Voltage (nominal)	10 V
Protection/Classification	
Enclosure class	IP54
Controller and Sensors	
Permitted humidity, non-condensing	0 to 85 %RH
Ambient and duct temperature	
Permitted ambient temperature	max 70 °C
Dimensions and weights	
Weight	0.4 kg

Dimension



Wiring



Documents

- L-BAL-E265-GB.PDF
- UKCA Declaration of conformity_005