

# TFSR 200 Grey

Centrifugal roof fan, <125W

Item Number: 1384

Variant: 230V 1~ 50Hz



- Swing-out
- Speed-controllable
- Easy to install
- Reliable

The TFSR range consists of roof fans with a circular base plate and are fitted with a single-inlet centrifugal fan with backward-curved blades and external rotor motors. The motors can be tilted outwards to facilitate inspection and service. They have integral on/off switch and are supplied with 1 m cable for fast connection to the mains e.g. via the connection box on the roof curb TOB or TOS.

These fans are suitable for exhaust-air ventilation systems, e.g. single and multiple dwellings, offices and day nurseries. To protect the motors from overheating, all motors have an integral thermal contact with electrical reset. The casings are manufactured from galvanized steel, with powder-coating in black colour.

TFSR 125-160 are delivered with a Ø 160 spigot and TFSR 200-315 with a Ø 200.

For cold climates we recommend that the fan runs continuously to avoid problems with ice.



## Technical parameters

Nominal data		
Voltage (nominal)	230	V
Frequency	50	Hz
Phase(s)	1~	
Input power	108	W
Input current	0.466	A
Impeller speed	2,537	rpm
Air flow	max 0.208	m³/s
Capacitance of capacitor	3	µF
Temperature of transported air	max 62	°C
Max temperature of transported air, when speed controlled	62	°C
Sound data		
Sound pressure level at 10m (free field)	40	dB(A)

**Protection/Classification**

Enclosure class, motor	IP44
Insulation class	B

**Data according to ErP**

Energy class, Basic unit	E
Energy class, Local demand	B
ErP ready	ErP 2016; ErP 2018

**Dimensions and weights**

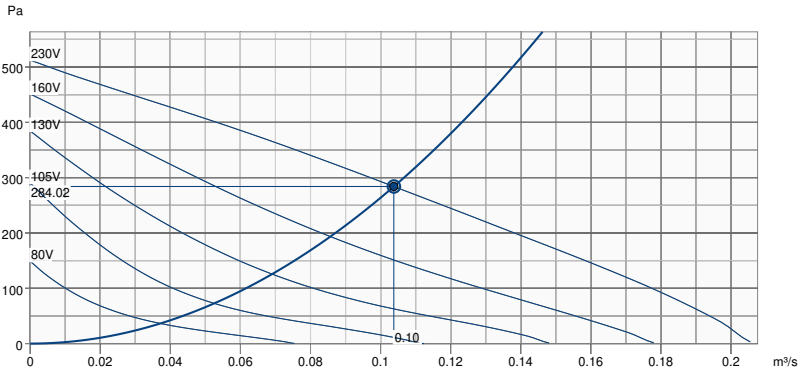
Duct dimension; Circular, inlet	200	mm
Weight	4.2	kg

**Others**

Duct connection type	Circular
Color name, casing	Grey
Motor type	AC

# Performance

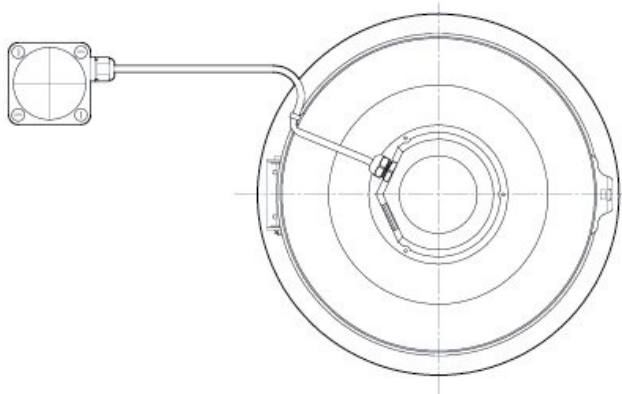
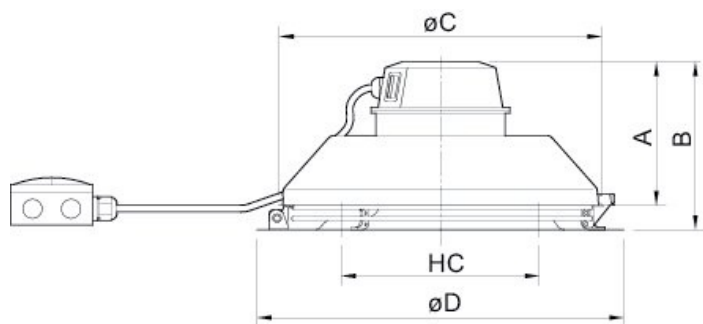
## Performance curve



Hydraulic data	
Required air flow	0.10 m³/s
Required static pressure	284 Pa
Working air flow	0.10 m³/s
Working static pressure	284 Pa
Air density	1.204 kg/m³
Power	105.5 W
Fan control - RPM	2556 rpm
Current	0.50 A
SFP	1.017 kW/m³/s
Control voltage	230.0 V
Supply voltage	230 V

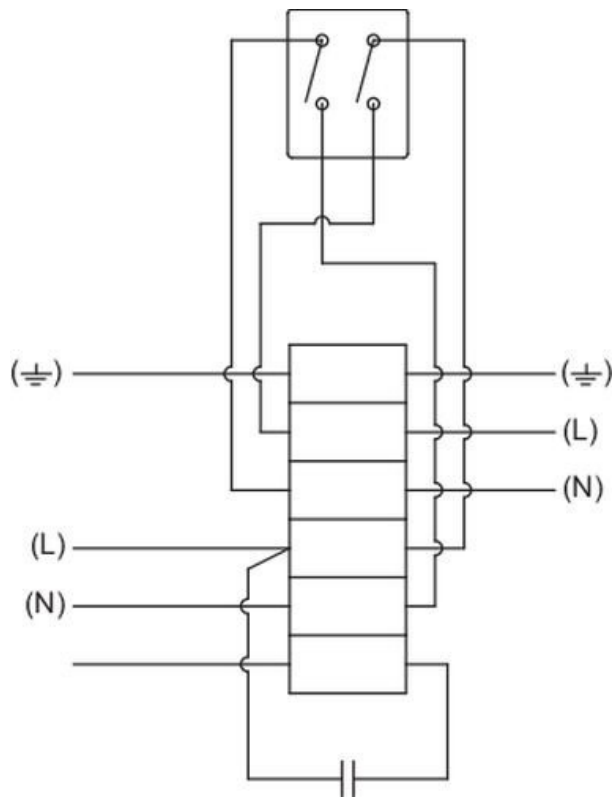
Sound power level		63	125	250	500	1k	2k	4k	8k	Total
Inlet	dB(A)	51	63	65	64	65	63	56	47	71
Outlet	dB(A)	31	52	56	61	67	67	61	49	71

## Dimension



TFSR	A	B	$\varnothing C$	$\varnothing D$	HC
200	123	160	364	439	250

## Wiring



## Ecodesign

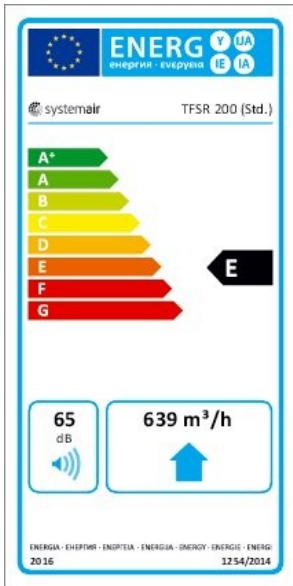
Product		
Trade name	Systemair	
Product name	TFSR 200 Roof fan Grey	
Basic unit		
ErP compliance	2016	
SEC Average	-13.3	kWh/(m <sup>2</sup> .a)
SEC Cold	-29.6	kWh/(m <sup>2</sup> .a)
SEC Warm	-3.9	kWh/(m <sup>2</sup> .a)
SEC Class	E	
Unit category	RVU	
Unit type	UVU	
Drive	External MSD or VSD	
Heat recovery type	None	
Temperature ratio (UVU)	Not applicable	
qv max	637	m <sup>3</sup> /h
P max	105	W
Sound power level LWA	65	dB(A)
qv ref	0.124	m <sup>3</sup> /s
Ps ref	50	Pa
SPI	0.124	W/(m <sup>3</sup> /h)
CTRL	1	
MISC	1.1	
x-value	1.5	
External Leakage	0	%
AEC average	155	kWh
AHS Cold	155	kWh
AEC warm	155	kWh
AHS Average	1,715	kWh/a
AHS Cold	3,355.3	kWh/a
AHS Warm	776	kWh/a

**Units with local demand control**

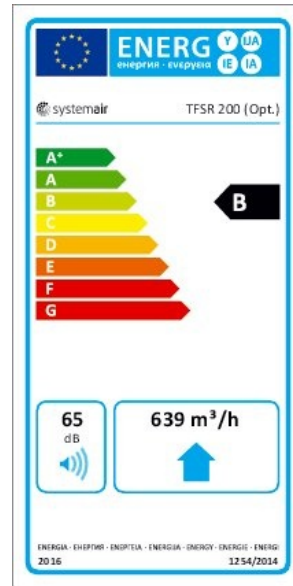
ErP compliance	2018
SEC Average	-26.3 kWh/(m <sup>2</sup> .a)
SEC Cold	-53.7 kWh/(m <sup>2</sup> .a)
SEC Warm	-10.8 kWh/(m <sup>2</sup> .a)
SEC Class	B
Unit category	RVU
Unit type	UVU
Drive	External MSD or VSD
Heat recovery type	None
Temperature ratio (UVU)	Not applicable
qv max	637 m <sup>3</sup> /h
P max	105 W
Sound power level LWA	65 dB(A)
qv ref	0.1239 m <sup>3</sup> /s
Ps ref	50 Pa
SPI	0.124 W/(m <sup>3</sup> /h)
CTRL	0.65
MISC	1.1
x-value	1.5
External Leakage	0 %
AEC average	81 kWh
AEC cold	81 kWh
AEC warm	81 kWh
AHS Average	2,830 kWh/a
AHS Cold	5,536.2 kWh/a
AHS Warm	1,280 kWh/a

# Energy class label

## Energy class, Basic unit



## Energy class, Local demand





## Accessories

- RE 1,5 Speed control (5000)
- REPT 6 Digital regulator (5698)
- REU 1.5 Speed control (5004)
- DTV500A (96807)
- MicroREX D21 Plus Time Switch (17822)
- RT 0-30 Room Thermostat (5151)
- LDC 200-900 Silencer (5195)
- TOB 200-315 Roof curb Grey (134463)
- REE 1 Speed control (5314)
- RETP 6 Temp/Pressure regulator (32293)
- CO2RT-R-D Transmitter (6993)
- HR1 Room Humidistat (215150)
- Presence detector/IR24-P (6995)
- LDC 200-600 Silencer (5194)
- RSK-200 Back draft damper (5602)

## Documents

- TFSR MOUNTING INSTRUCTION\_205504\_A001.PDF
- Certificate S-mark TFSK\_R 1309486\_EN.pdf