

prio 150E2 circular duct fan

Item Number: 37355

Variant: 230V 1~ 50Hz



- Speed-controllable
- Integral thermal contacts
- Can be installed in any position
- Compact design
- Low SFP values and high efficiency
- Low sound level

The prioAir series is designed for installation in ducts. prioAir fans have 25 mm long spigot connections in acc. with EN 1506:1997.

The fans have aerodynamically optimized impellers and guide vanes with intergrated external rotor motors. The fans can be speed-controlled via a stepless thyristor or a 5-step transformer. To protect the motor from overheating the fan has integrated thermal contacts with manual reset in acc. with EN 60335-2-80.

The air tight casing (tightness class C in acc. with EN12237:2003) is manufactured from special composite material.

The mounting clamp facilitates easy installation and removal, and prevents the transfer of vibrations to the duct. Mounting bracket to the wall or ceiling as accessory.

For installation in damp locations we recommend to use a run-on timer.



Technical parameters

Norminal data		
Voltage (nominal)	230	V
Frequency	50	Hz
Phase(s)	1~	
Input power	28	W
Input current	0.123	A
Impeller speed	2,403	r.p.m.
Air flow	max 439	m ³ /h
Capacitance of capacitor	0.7	µF
Temperature of transported air	max 55	°C
Max temperature of transported air, when speed controlled	55	°C
Sound data		
Sound pressure level at 3m (20m ² Sabin)	40	dB(A)

Protection/Classification

Enclosure class, motor	IP44
Insulation class	B

Data according to ErP

ErP ready	ErP 2018
-----------	----------

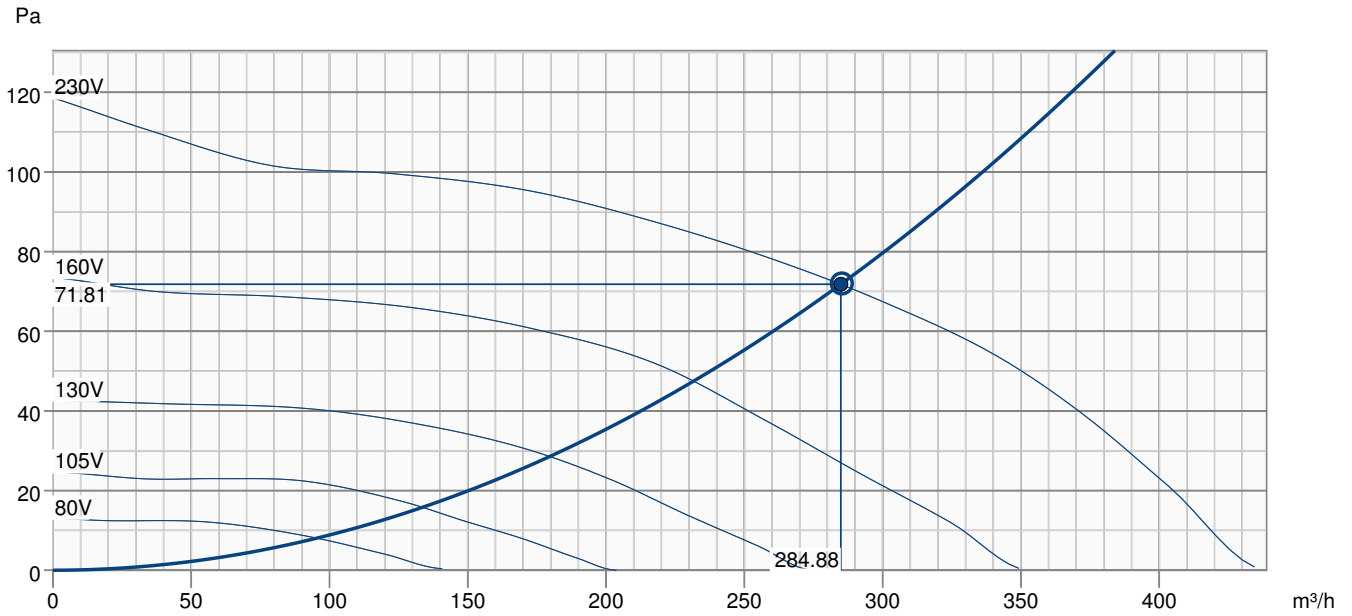
Dimensions and weights

Duct dimension; Circular, inlet	150	mm
Duct dimension; Circular, outlet	150	mm
Weight	1.7	kg

Others

Duct connection type	Circular
Motor type	AC

Performance curve

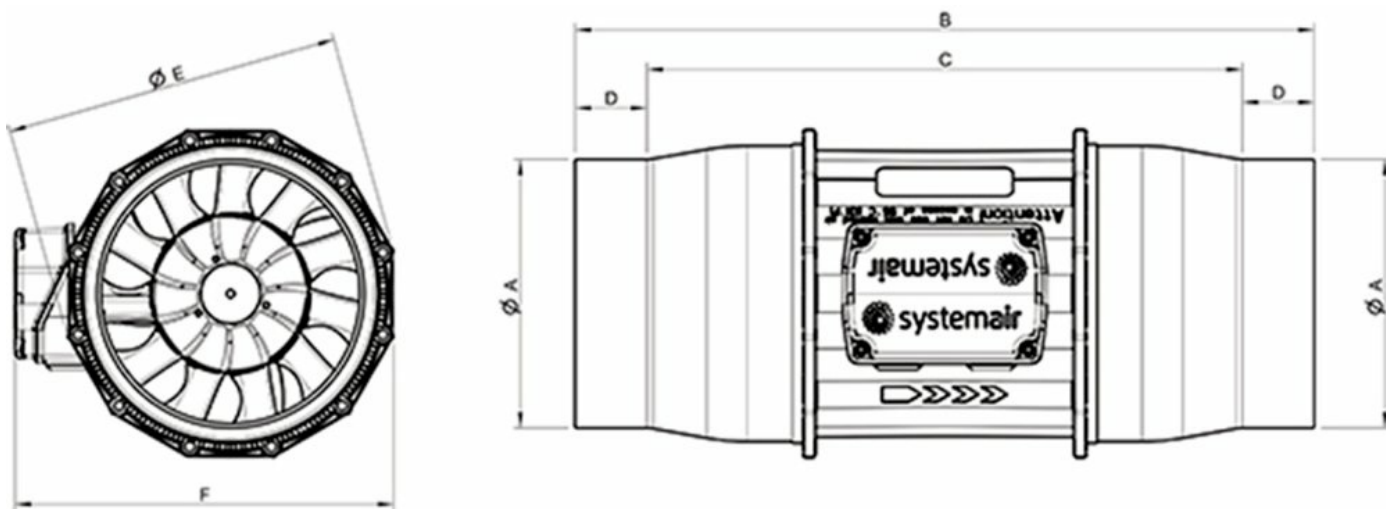


Hydraulic data

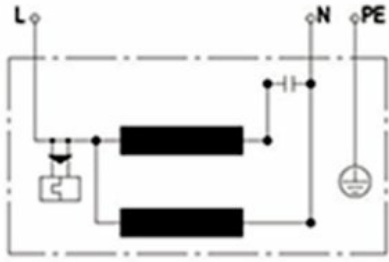
Required air flow	285 m³/h
Required static pressure	72 Pa
Working air flow	285 m³/h
Working static pressure	72 Pa
Air density	1.204 kg/m³
Power	27.0 W
Fan control - RPM	2410 rpm
Current	0.12 A
SFP	0.341 kW/m³/s
Control voltage	230.0 V
Supply voltage	230 V

Sound power level		63	125	250	500	1k	2k	4k	8k	Total
Inlet	dB(A)	44	52	61	56	52	51	44	32	64
Outlet	dB(A)	39	53	55	58	53	51	44	30	62
Surrounding	dB(A)	12	18	45	36	36	38	26	14	46
Sound pressure level at 3m (20m² Sabine)	dB(A)	-	-	-	-	-	-	-	-	39
Sound pressure level at 3m free field	dB(A)	-	-	-	-	-	-	-	-	25

Dimension



Wiring



L	blue	N	black	PE	green/yellow
---	------	---	-------	----	--------------

Accessories

- CO2RT-R-D Transmitter (6993)
- FRQ5S-E-6A (37421)
- Presence detector/IR24-P (6995)
- RE 1,5 Speed control (5000)
- REPT 6 Digital regulator (5698)
- REU 1.5 Speed control (5004)
- RT 0-30 Room Thermostat (5151)
- DTV500A (96807)
- FRQS-E-6A (37419)
- prio 150/160 mount. br. compl. (79314)
- REE 1 Speed control (5314)
- RETP 6 Temp/Pressure regulator (32293)
- REV-3POL/03 ON/OFF (33978)
- T 120 Timer (5165)

Documents

- MANUAL_PRIOAIR_EN_[006].PDF
- prio160_150_dxf_o_rahmen.dxf
- EU DECLARATION OF CONFORMITY_PRIO_EN_001.PDF

Specification