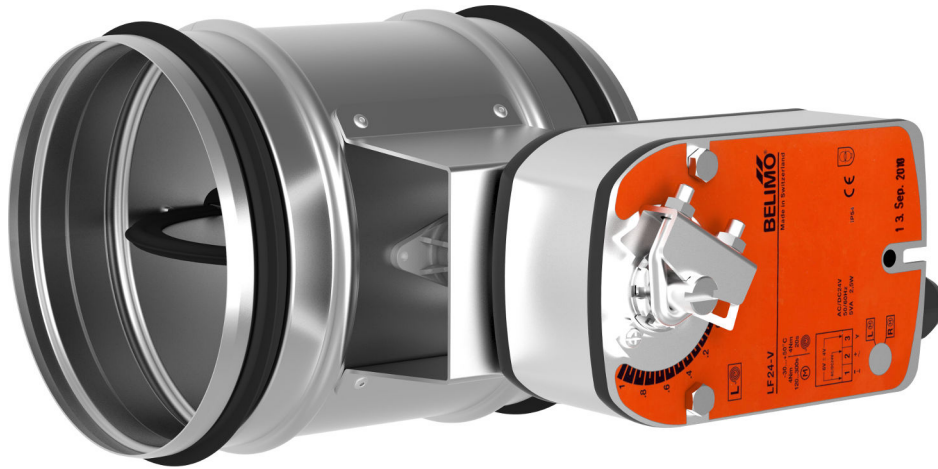


# TUNE-R-125-3-M5

Article no.: 311978



Pictures are only illustrative. They can differ from the visual shape of the selected product variant.

## Description

Tune-R is control damper for circular ducts. The special design allows external insulation up to 50 mm. The damper can be supplied in manual or motorized version with integrated position indicator.

## Design

The damper is manufactured from galvanized steel sheet and is silicone free. All gaskets are manufactured from black rubber. Plastic bushings are from PPO material. All materials are flame retardant. It is available from dimensions 80-630 mm.

## Tightness class versions acc, to EN 1751

- 1 - Casing tightness class A & blade tightness class 1 (no rubber gasket on inlet and no rubber gasket on blade)
- 2 - Casing tightness class C & blade tightness class 1 (rubber gasket on inlet and no rubber gasket on blade)
- 3 - Casing tightness class C & blade tightness class 4 (rubber gasket on inlet and rubber gasket on blade)

## Actuator versions

- H - handle (hand operated)
- M0 - preparation for actuator
- M1 - 230V rotary actuator
- M2 - 24V rotary actuator
- M3 - 24V, 0-10V operated actuator
- M4 - 230V spring return actuator
- M5 - 24V spring return actuator
- M6 - 24V, 0-10V spring return actuator

# TUNE-R-125-3-M5

Article no.: 311978

## Configuration

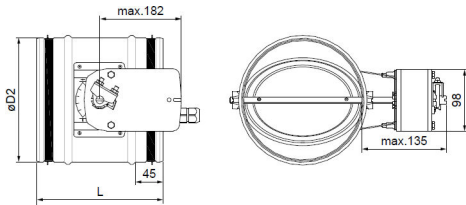
Parameter	Value
Tightness class	C4
Size	125
Type of actualtion	24V spring actuator (-M5)

# TUNE-R-125-3-M5

Article no.: 311978

## Dimensions

### Dimensions



Dimensions	Value (mm)
DN	125
L	200

## Weight

Part	Weight (kg)
TUNE-R-125-3-M5	1.70

# TUNE-R-125-3-M5

Article no.: 311978

---

## Documents

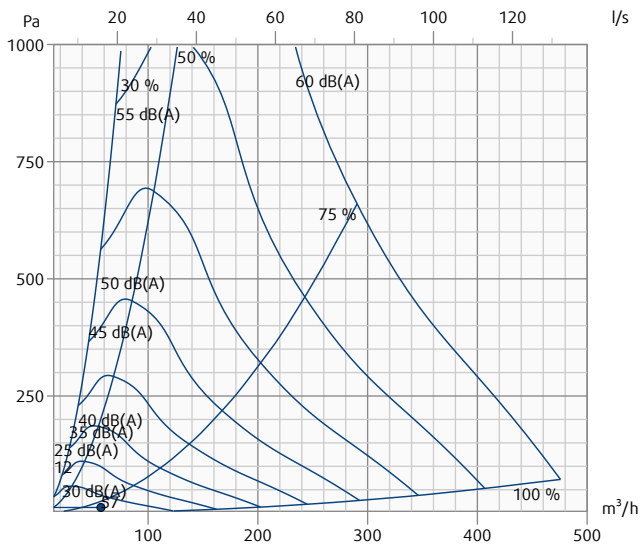
[DataSheet\\_TUNE-R\\_EN\\_201711](#)

[DeclarationOfConformity\\_Tune\\_R,\\_R-B\\_EN](#)

## Calculation

### Pressure drop & sound power level (A-weighted)

Total sound power level (A-weighted) - Discharged into room



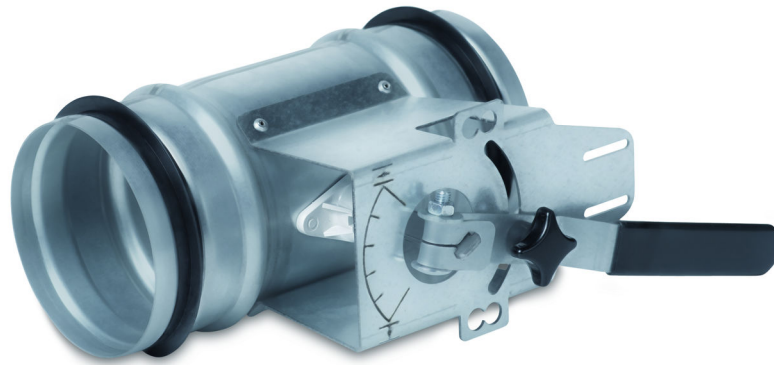
Parameter	Value	
Air flow	57	m <sup>3</sup> /h
Air face velocity	1.3	m/s
Pressure drop	12	Pa
Damper setting	73	%
Damper setting	73	%
Total sound power level - Discharged into room	44	dB
Total sound power level (A-weighted) - Discharged into room	21	dB(A)

Total sound power level - Discharged into room									
	Hz	63	125	250	500	1k	2k	4k	8k
L <sub>w</sub>	dB	44	27	21	16	<5	<5	8	19
L <sub>wA</sub>	dB(A)	15	10	13	12	<5	<5	9	17

# TUNE-R-125-3-M5

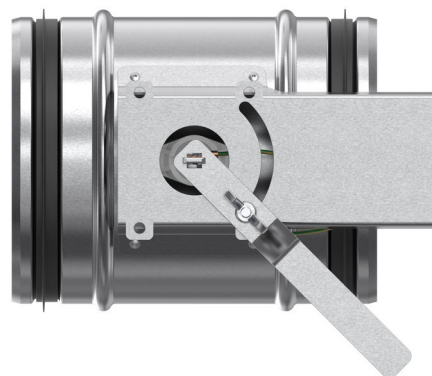
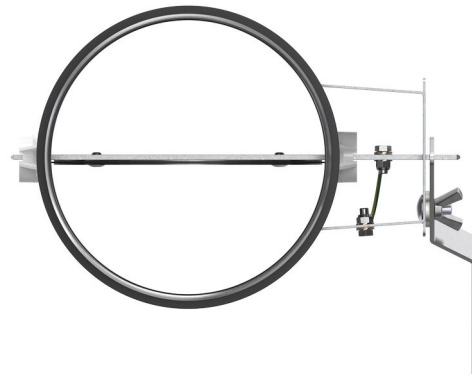
Article no.: 311978

## Gallery



# TUNE-R-125-3-M5

Article no.: 311978



Pictures are only illustrative. They can differ from the visual shape of the selected product variant.

# TUNE-R-125-3-M5

Article no.: 311978

---

## Associated products

TUNE-S



Control Damper



## Accessories