

ZAP 1000-63 PLATE AXIAL FAN

Item no. 8270

Document type: **Product card**
 Document date: **2018-02-22**
 Generated by: **Systemair Online Catalogue**

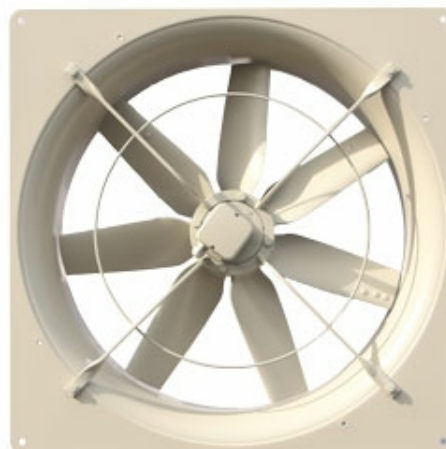
Description

The ZAP range of plate axial fans is based around the Ziehl-Abegg external rotor motor and an aerodynamically designed impeller to provide a very compact, efficient unit. Key features are:-

- Diecast aluminium blades with high efficiency aerofoil blade design
- Maintenance free, sealed-for-life bearings
- Insulation class 'F' and IP54 protection
- Operating range of -40°C to 60°C or 70°C
- TK thermal protection
- 100% speed controllable motor
- Pressed galvanised steel wall plate incorporating full bellmouth
- Corrosion resistant paint in pebble grey RAL7032
- Inlet guard
- IP54 terminal box

Motorside guard is available as an optional accessory.

All ZAP fans are suitable for reverse operating conditions with a reduction in performance



Technical parameters

Voltage	400	V
Frequency	50	Hz
Phase	3	~
Input power (P1)	5500	W
Current	10.5	A
Max. airflow	13.9	m³/s
R.p.m.	935	r.p.m.
Max. temperature of transported air	60	°C
Max. temperature of transported air when speed-controlled	60	°C
Sound pressure level at 3 m	78	dB(A)
Weight	85	kg
Insulation class	F	
Enclosure class, motor	IP54	

Accessories

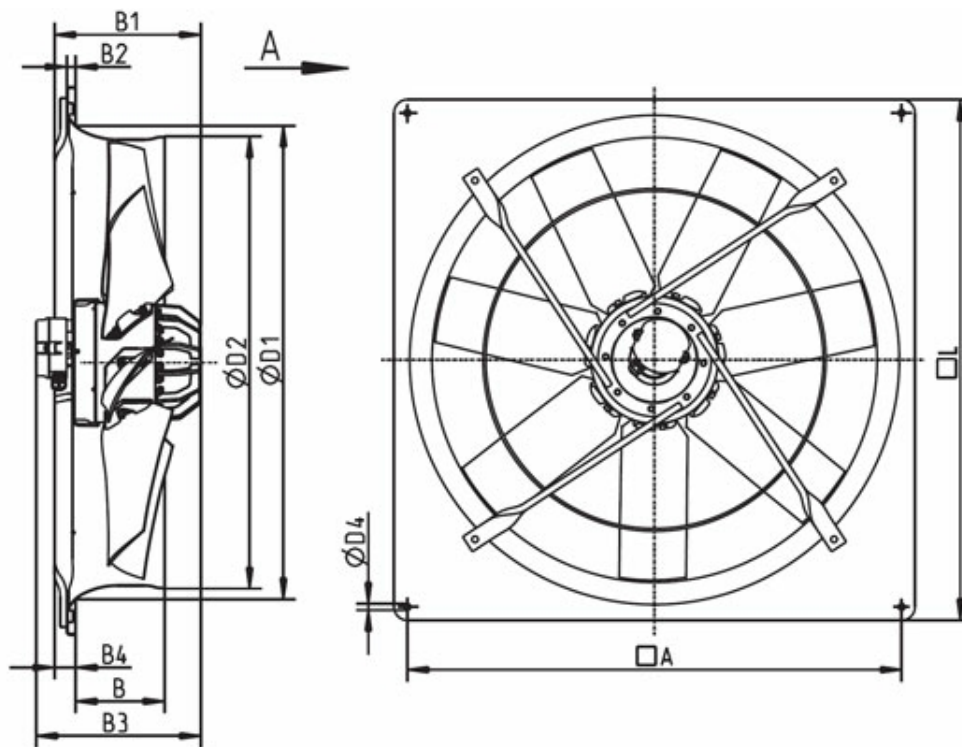
Accessories

[RAW 1000 Roof Cowl c/w BG \(86551\)](#)

[VK-100 shutter self adj. \(9964\)](#)

[SG AW 1000 Guard 6/8 Pole\(GFC\) \(7000002\)](#)

Dimensions



ZAP 1000-63	B	B1	B2	B3	B4	D1	D2	D4	A	L
	200	282	20	361	48	1067	1009	14.5	1110	1170

Wiring

106XA

Luftförderrichtung: V
 Direction of airflow: V
 Drehrichtung: Rechtslauf
 Direction of rotation: clockwise

3- Motor mit einer Drehzahl und Thermostatschalter (falls eingebaut).

3- motor with one speed and thermostatic switch (if built in).

Moteur triphasé à une vitesse avec interrupteur thermostatique (si incorporé).

U1	braun	brown	brun
V1	blau	blue	bleu
W1	schwarz	black	noir
U2	rot	red	rouge
V2	grau	grey	gris
W2	orange	orange	orangé
TB	weiß	white	blanc

106XA-02

106XB

Luftförderrichtung: A
 Direction of airflow: A
 Drehrichtung: Linkslauf
 Direction of rotation: counter clockwise

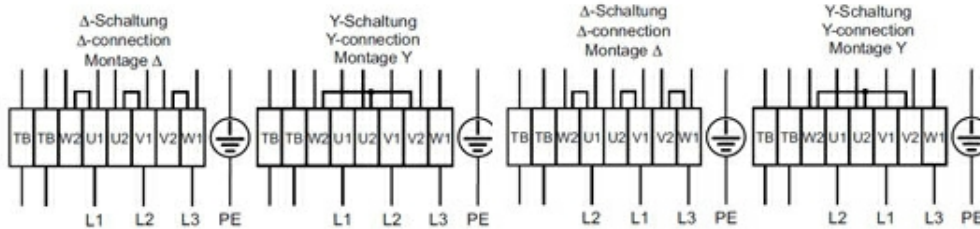
3- Motor mit einer Drehzahl und Thermostatschalter (falls eingebaut).

3- motor with one speed and thermostatic switch (if built in).

Moteur triphasé à une vitesse avec interrupteur thermostatique (si incorporé).

U1	braun	brown	brun
V1	blau	blue	bleu
W1	schwarz	black	noir
U2	rot	red	rouge
V2	grau	grey	gris
W2	orange	orange	orangé
TB	weiß	white	blanc


106XB-02



Anschlusschaltbild im Anschlusskasten aufbewahren.
 Keep wiring diagram in terminal box.
 Conserver le schéma de raccordement dans la boîte à bornes.

Anschlusschaltbild im Anschlusskasten aufbewahren.
 Keep wiring diagram in terminal box.
 Conserver le schéma de raccordement dans la boîte à bornes.

Documentation

 Operating Instruction axial fans L-BAL-001-GB[1].pdf (117,64kB)

Specification text