

EM 250 EC 02

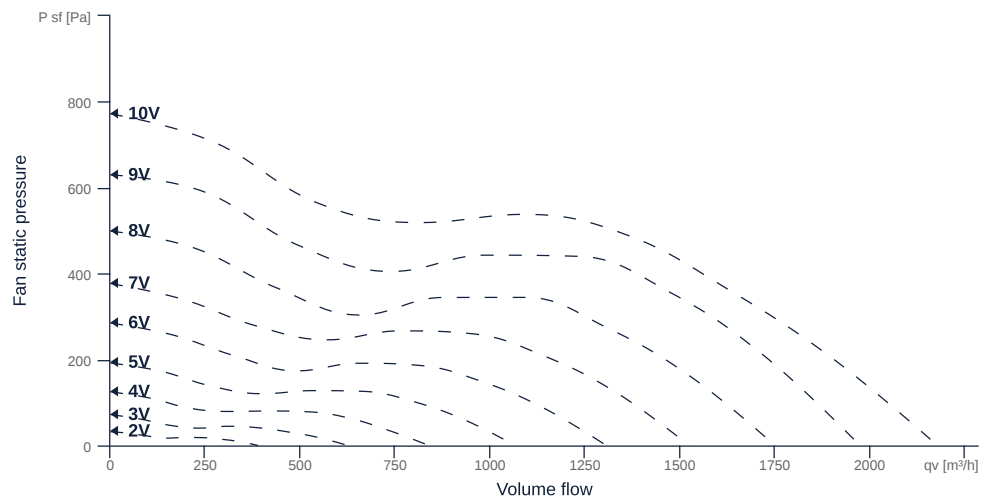
130491

- Innovative, high-efficiency diagonal fan
- Optimally tuned, CFD-optimized aerodynamics
- Housing made of impact-resistant, reinforced polypropylene
- High efficiency IE5 EC motor, steplessly controllable
- Incl. 1x potentiometer for connection in terminal box
- Conveyed medium temperature up to 45 °C in continuous operation
- The benchmark for efficiency since 2012



MAP

Name	Value	Unit
Volume flow	0	m³/h
Pressure	0	Pa



zur Produktseite

GENERAL DATA

Name	Value	Unit	Formula symbol
ERP conformity	Yes		
Certifications	CE, UKCA		
Duct size	-		WxH _{duct}
Pipe connection size (DN)	DN250		DN
Rated voltage (entire device)	230	V	U _{rated}
Phases (entire device)	1~		phase
Electrical protection (entire device)	6 A		fuse
Housing material	Plastic		mat _{casing}
Impeller material	Plastic		mat _{impeller}
IP-protection class (entire device)	IPX4		IP _{compl}
IP-Protection class (terminal box)	IP44		IP _{ebox}
Weight	4.1	kg	m
Fan type	Diagonal		Fan _{type}
Category / Installation situation	A		cat

MAXIMAL DATA

Name	Value		Unit	Formula symbol
	50 Hz	60 Hz		
Max. power consumption (device)	304	304	W	P _{ed, max}
Max. operating current (device)	2.1	2.1	A	I _{ed, max}
Max. speed	3880	3880	1/min	n _{max}
Max. stat. efficiency	58	58	%	η _{es}
Max. fan efficiency	62.3	62.3	%	η _e
Max. flowrate	2175	2175	m ³ /h	Q _{v, max}
Max. stat pressure	770	770	Pa	p _{st, max}
Max. medium temperature	45	45	°C	T _{m, max}
Max. environment temperature	45	45	°C	T _{amb, max}
Min. environment temperature	-30	-30	°C	T _{amb, min}



MOTOR DATA

Name	Value		Unit	Formula symbol
	50 Hz	60 Hz		
Rated frequency (device)		50		f
Motor type		EC		phase
Control type		stepless-controlled		ctrltype
Installation type		ORM (Out)		install
Rotation direction		right		rotation
Isolation class		ISO F		ISOclass
Motor-protection		TEC		protectmotor
Protection class		IP30		IPmotor
Is pole-changeable		No		polexch
Type of power supply		AC 1~		pwrsupmotor
Rated voltage	230	230	V	U _{rated, f1}
Rated current	1.9	1.9	A	I _{rated, f1}
Shaft power	294	294	W	P _{out, f1}
Speed	3811	3811	1/min	n _{f1}
Min. temperature	-30	-30	°C	T _{motor, min}
UL-Certification motor		None		ULcert

ERP DATA (LOT11)

Name	Value	Unit	Formula symbol
Speed at the energy efficiency optimum	3729	1/min	n _{opt}
Efficiency level	65.3	%	N
Efficiency category	statisch		catefficiency
Input power of the motor at the energy efficiency optimum	0.3	kW	P _{e, opt}
Overall efficiency	81.3	%	η _{ges}
Measurement category	A		meas cat
Fan pressure at energy efficiency optimum	498	Pa	p _{f, opt}
Flowrate at energy efficiency optimum	1330	m³/h	Q _{v, opt}

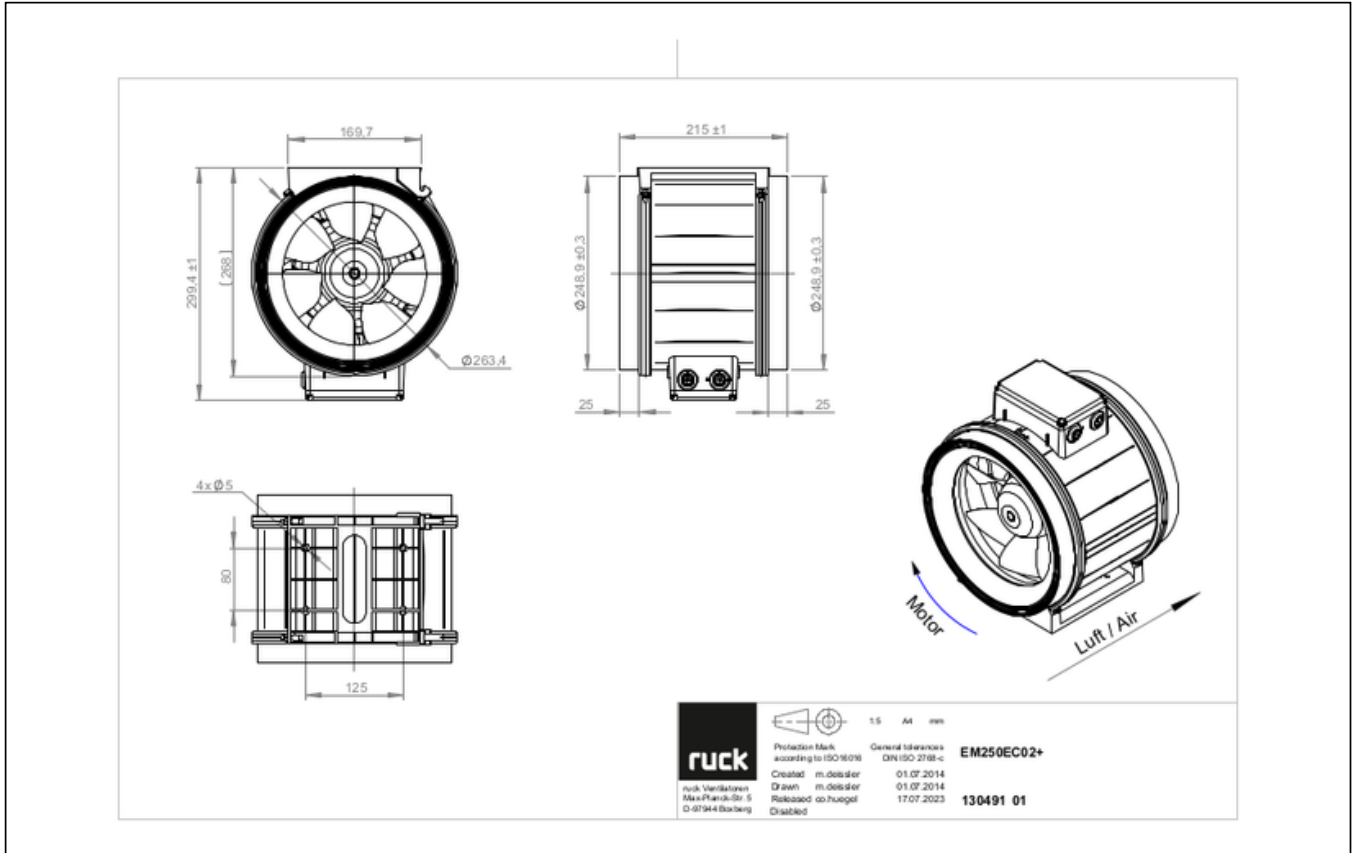


zur Produktseite

EM 250 EC 02

130491

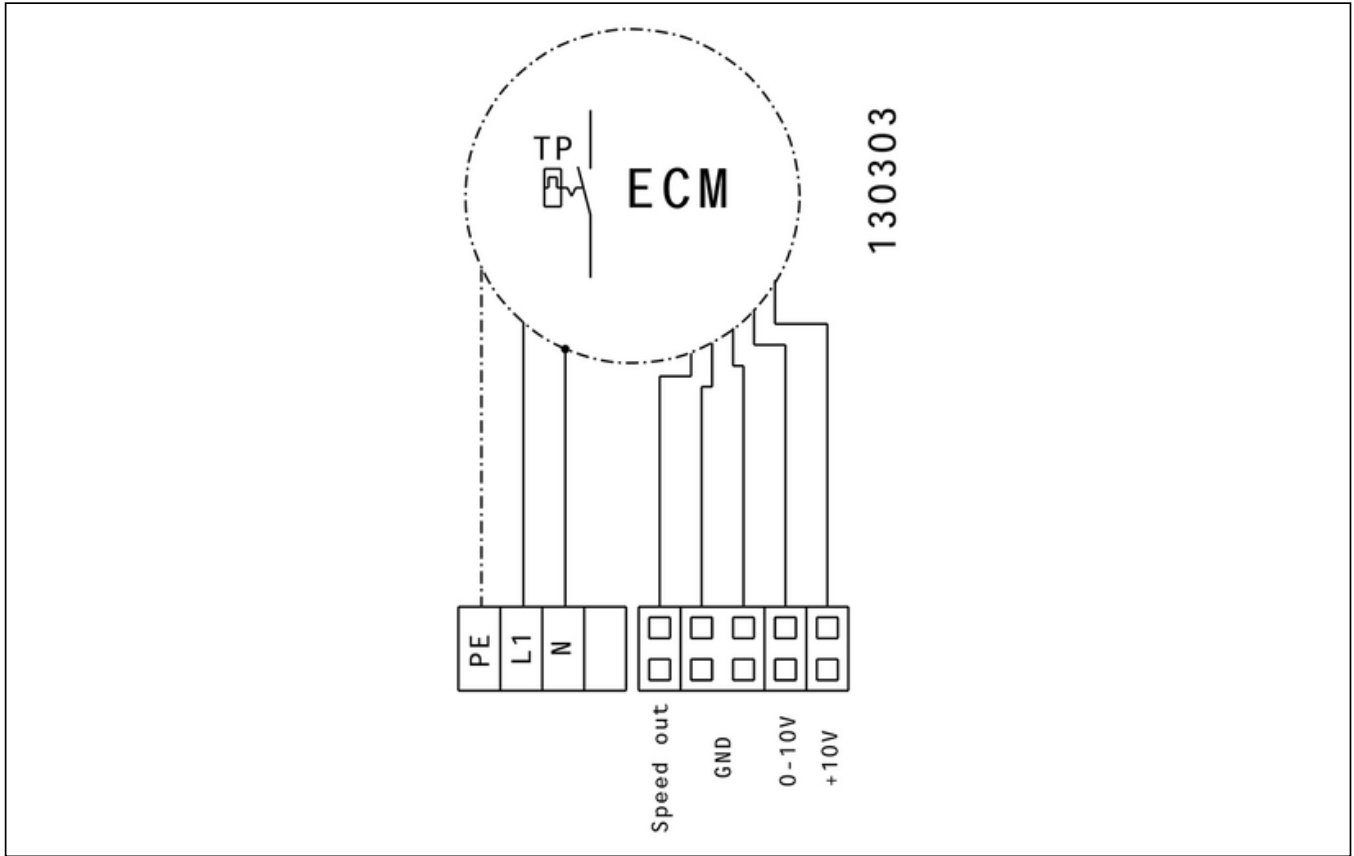
SCHALTPLÄNE / MASSZEICHNUNGEN



zur Produktseite

EM 250 EC 02

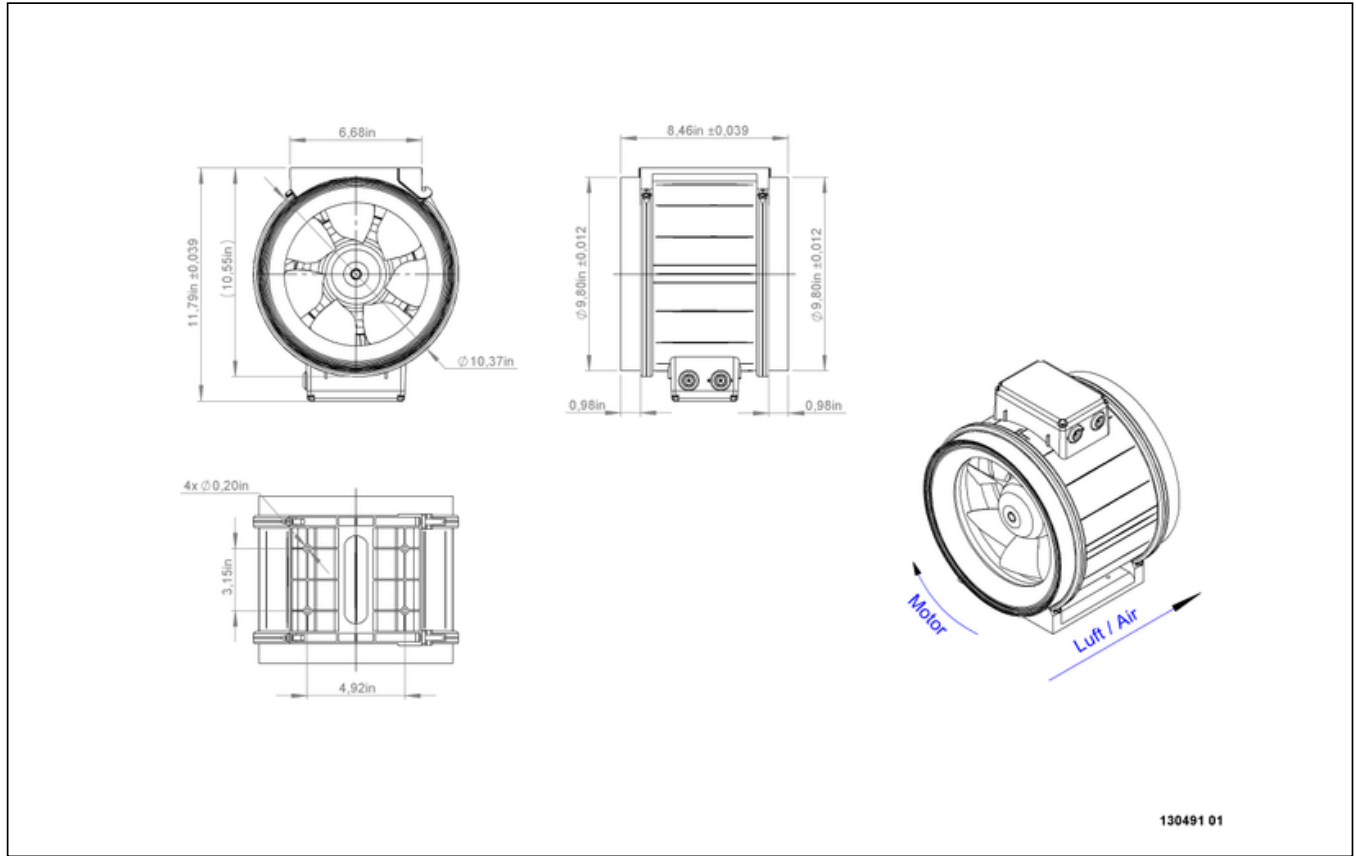
130491



zur Produktseite

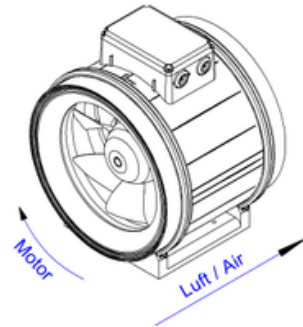
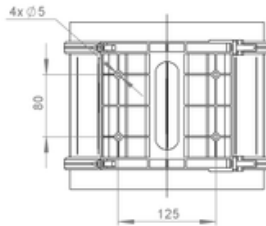
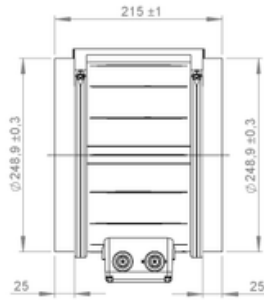
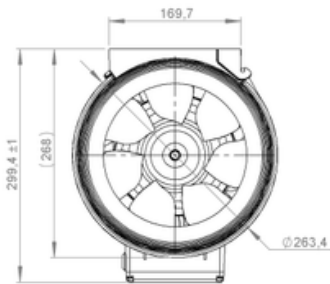
EM 250 EC 02

130491



EM 250 EC 02

130491

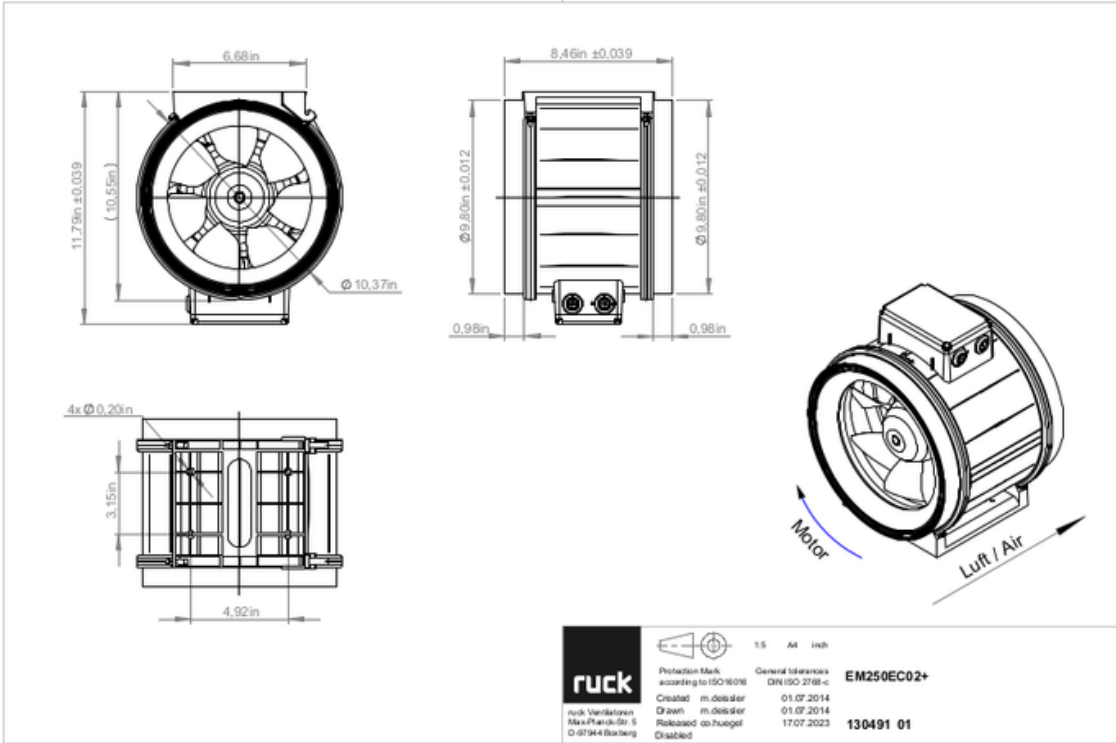


130491 01



EM 250 EC 02

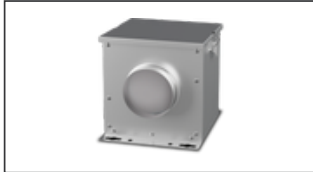
130491



zur Produktseite

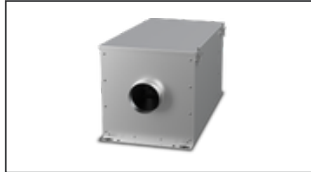
MECHANICAL ACCESSORIES

FV 250 | 112833



- Air filter box with mat filter ISO Coarse 45 % (G3)
- Toggle-type fastener

FT 250 | 112845



- Air filter box for pocket filter
- Toggle-type fastener
- Galvanized steel sheet housing
- Without filter

FTW 250 | 112854



- Air filter box with pocket filter M5
- Integrated warm water heating coil
- Galvanized steel sheet housing
- Toggle-type fastener

RSK 250D | 113488



- Back draught shutter for tube fitting
- Galvanized steel sheet housing
- Aluminum flaps
- Integrated gasket

VM 250 | 102651



- Fast clamps for sound decoupling and sealing
- Galvanized steel sheet, 5 mm
- Neopren gasket
- 1 Pack = 2 pieces

KWR 250 02 | 124066



- Cold water cooler, uninsulated
- Version left
- Connection ND 250
- Galvanized steel sheet with condensate tray

DVR 250 01 | 126775



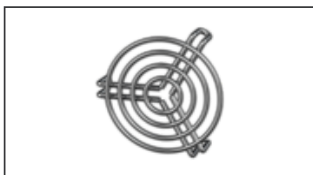
- Direct evaporator for reversing circuit
- Integrated condensate tray

DVR 250 02 | 126776



- Direct evaporator for reversing circuit
- Integrated condensate tray

SG 250 01 | 102899



- Protection grille for tube connection
- Galvanized wire

SDF 250 | 102705



- Flexible tube silencer
- Galvanized steel sheet
- Sound insulation packing 50 mm

RSK 250 | 102686



- Back draught shutter for tube fitting
- Galvanized steel sheet housing
- Aluminum flaps

SDS 250 | 102721



- Rigid tube silencer
- Galvanized steel sheet
- Sound insulation packing 50 mm (mineral wool)

KWR 250 01 | 124065



- Cold water cooler, uninsulated
- Version right
- Connection ND 250
- Galvanized steel sheet with condensate tray



zur Produktseite

EM 250 EC 02

130491

ELECTRICAL ACCESSORIES

GS 03 | 107633



- Device switch
- $U_{max} = 400\text{ V}$, $I_{max} = 25\text{ A}$
- Switching capacity $400\text{ V } 3\sim = 5,5\text{ kW}$
- Protection class IP 55

MTP 20 | 128146



- Potentiometer $10\text{ k}\Omega$
- Switching contact $1\text{ A}/250\text{ V AC}$ - $2,5\text{ A}/12\text{ V DC}$
- Max. ambient temperature $50\text{ }^\circ\text{C}$
- VDE

MTP 30 | 143289



- Stepped potentiometer $10\text{ k}\Omega$
- Step 1 + 2 settable $10\% - 100\% \text{ Vdc}$
- Step 3 $100\% \text{ Vdc}$
- Supply voltage $+10\text{ Vdc}$

SEN AIR | 148641



- Airflow and temperature transducer
- Measuring range temperature $0...+50\text{ }^\circ\text{C}$
- With adjustable switching threshold (air speed)
- Measuring range air velocity up to 20 m/s

CON P1000 | 115259



- Constant pressure control
- Actual value display possible via optional control unit
- Output $0-10\text{ V DC}$ + FC enable + setpoint reached
- Pressure setting by means of decade switch

MTP 50 | 153133



- Potentiometer with multifunction output
- $230\text{ VAC } \pm 10\% / 50-60\text{ Hz}$
- Selectable output: $1-10\text{ VDC}$ / $2-20\text{ mA}$ / $10-100\% \text{ PWM}$
- Min. and max. output value adjustable



zur Produktseite